

PLEASE CHECK WWW.MOLEX.COM FOR LATEST PART INFORMATION

Part Number: [0494372411](#)
Status: **Active**
Description: 0.50mm (.020") Pitch Board-to-Board Shutter I/O Receptacle, SMT, Shielded, Right Angle, 24 Circuits, Silver, Off Set Type

Documents:

[3D Model](#) [Product Specification PS-49437-001 \(PDF\)](#)
[Drawing \(PDF\)](#) [RoHS Certificate of Compliance \(PDF\)](#)

General

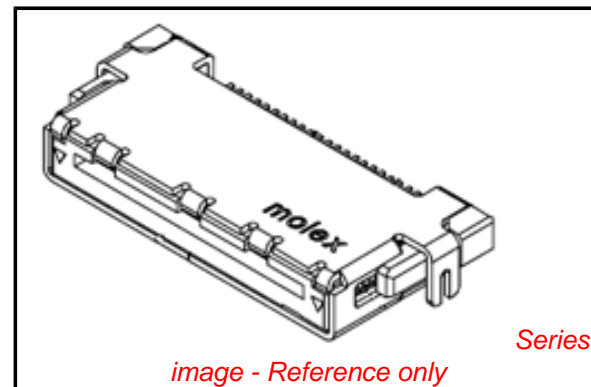
Product Family	I/O Connectors
Series	49437
Application	Board-to-Board
Comments	Coplanarity of Solderails 0.10mm max
Component Type	Receptacle
Product Name	N/A
Type	N/A

Physical

Boot Color	N/A
Circuits (Loaded)	24
Circuits (maximum)	24
Color - Resin	Black
Gender	Receptacle
Keying to Mating Part	None
Lock to Mating Part	Yes
Material - Metal	Copper Alloy
Material - Plating Mating	Gold
Material - Resin	High Temperature Thermoplastic
Number of Rows	1
Orientation	Right Angle
PC Tail Length (in)	0.000 In
PC Tail Length (mm)	0.00 mm
PCB Locator	No
PCB Retention	Yes
PCB Thickness Recommended (in)	0.000 In
PCB Thickness Recommended (mm)	0.00 mm
Packaging Type	Embossed Tape on Reel
Panel Mount	No
Pitch - Mating Interface (in)	0.020 In
Pitch - Mating Interface (mm)	0.50 mm
Pitch - Term. Interface (in)	0.020 In
Pitch - Term. Interface (mm)	0.50 mm
Polarized to Mating Part	Yes
Polarized to PCB	Yes
Ports	1
Surface Mount Compatible (SMC)	Yes
Temperature Range - Operating	-20°C to +65°C
Termination Interface: Style	Surface Mount
Waterproof / Dustproof	No
Wire Insulation Diameter	N/A
Wire Size AWG	N/A

Electrical

Current - Maximum per Contact	0.5A
Grounding to Panel	N/A



EU RoHS

**ELV and RoHS
Compliant**
REACH SVHC
 Not Reviewed
**Halogen-Free
Status**

China RoHS



Not Reviewed

**Need more information on product
environmental compliance?**

Email productcompliance@molex.com
 For a multiple part number RoHS Certificate of Compliance, [click here](#)

Please visit the [Contact Us](#) section for any non-product compliance questions.

Search Parts in this Series

[49437Series](#)

Mates With

24P I/O Standard Plug

Shield Type	Full Shield
Shielded	Yes
Voltage - Maximum	30V AC (RMS)/DC

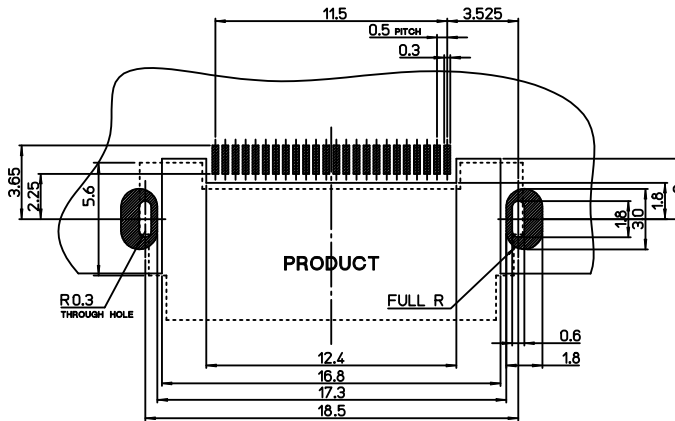
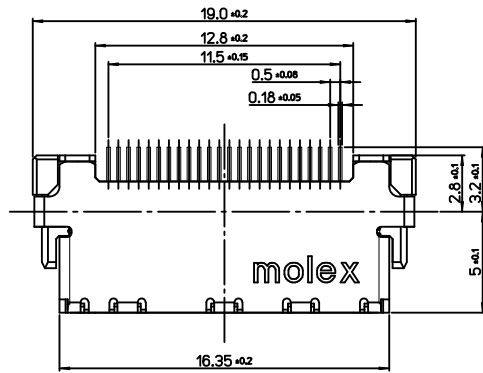
Material Info

Reference - Drawing Numbers

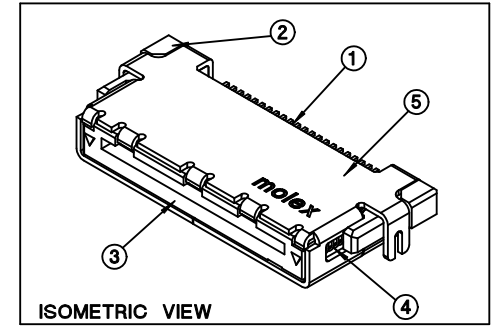
Product Specification	PS-49437-001
Sales Drawing	SD-49437-001

This document was generated on 04/15/2010

PLEASE CHECK WWW.MOLEX.COM FOR LATEST PART INFORMATION



RECOMENDED PCB PATTERN LAYOUT
(TOLERANCE : 0.05mm)



ISOMETRIC VIEW

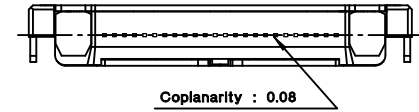
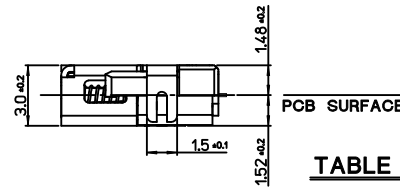
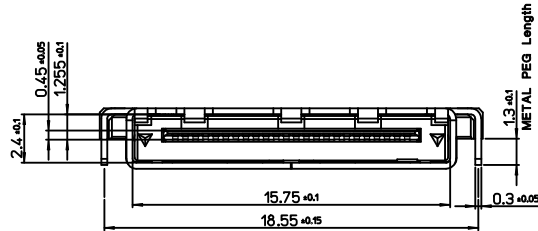
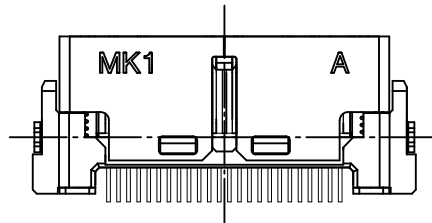


TABLE 2

⑤	METAL SHELL	STAINLESS STEEL	NICKEL
④	COMPRESSION SPRING	STAINLESS STEEL	NONE
③	SHUTTER HOUSING	POLYAMIDE(PA4T), UL94V-0	BLACK COLOR
		POLYAMIDE(PA6T), UL94V-0	BLACK COLOR
②	OVERMOLD HOUSING	POLYAMIDE(PA4T), UL94V-0	BLACK COLOR
		POLYAMIDE(PA6T), UL94V-0	BLACK COLOR
①	CONTACT TERMINAL	COPPER ALLOY	SELECTIVE GOLD
NO.	DESCRIPTION	MATERIAL	FINISH

TABLE 1

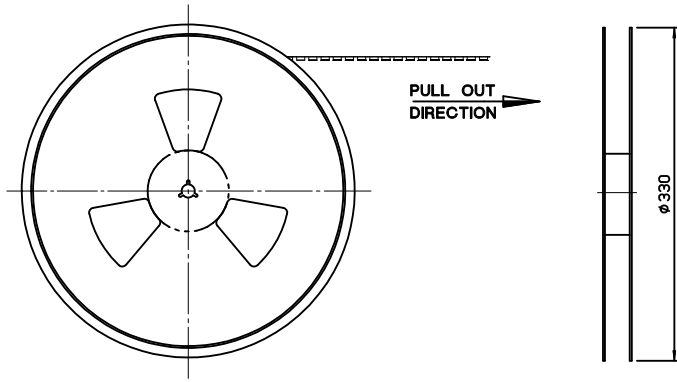
HALOGEN FREE	494372431	49437-2431
NONE HALOGEN FREE	494372411	49437-2411
HALOGEN FREE	MATERIAL NO.	ORDER NO.



NOTES

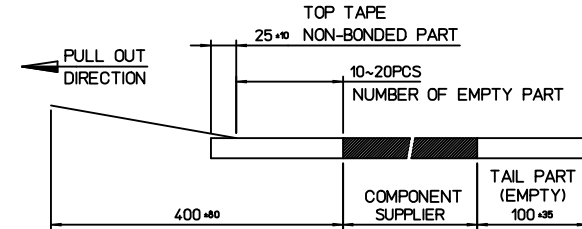
1. MATERIALS: SEE TABLE 2
2. FINISHES: SEE TABLE 2
3. PRODUCT SPECIFICATION : PS-49437-001
4. COPLANARITY OF SOLDER TAILS : 0.1mm MAX.
5. PACKAGING SPECIFICATION : PK-49437-001

REVISED EC NO: KOR2010-0077 DRWN: HJEONG 2009/11/26 CHKD: YSOOK IM 2009/11/26 APPR: YUNSIK KIM 2009/11/27	QUALITY SYMBOLS ▽=0 ∇=0	GENERAL TOLERANCES (UNLESS SPECIFIED)		DIMENSION STYLE MM ONLY		SCALE 1:1	DESIGN UNITS METRIC	THIRD ANGLE PROJECTION	
		4 PLACES	± ---	± ---	DRAWN BY ES. JUNG	DATE 2006.03.02	TITLE 0.5 SHUTTER I/O 24P RECEPTACLE ASSY OFFSET (WITHOUT BATTERY)		
		3 PLACES	± ---	± ---	CHECKED BY SH. CHU	DATE 2006.03.02	MOLEX INCORPORATED		
		2 PLACES	± 0.1	± ---	APPROVED BY SJ. SEH	DATE 2006.03.02	MATERIAL NO.	DOCUMENT NO.	SHEET NO.
		1 PLACE	± 0.2	± ---	ANGULAR ± 1 °		SEE TABLE		
		DRAFT WHERE APPLICABLE MUST REMAIN WITHIN DIMENSIONS			SIZE A3	THIS DRAWING CONTAINS INFORMATION THAT IS PROPRIETARY TO MOLEX INCORPORATED AND SHOULD NOT BE USED WITHOUT WRITTEN PERMISSION			



NOTES

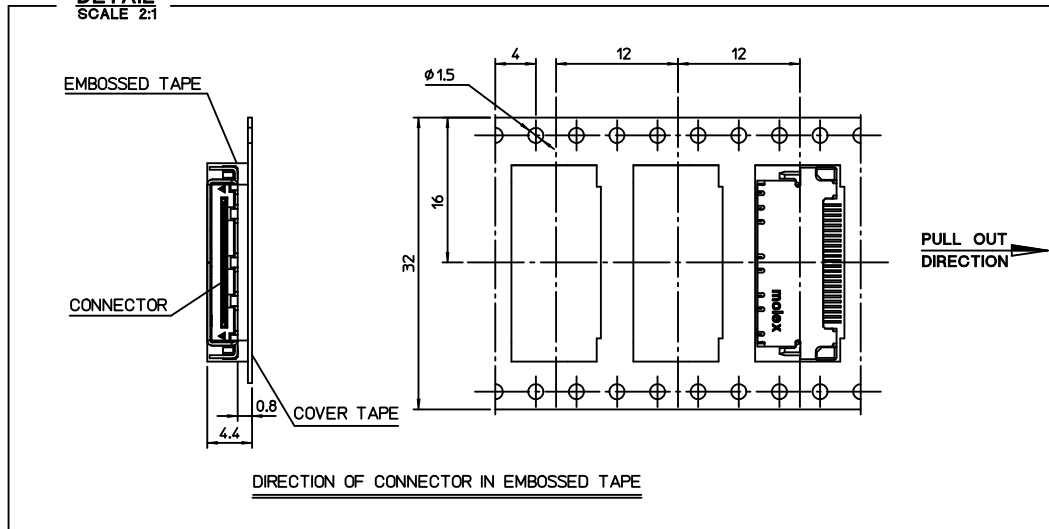
- 1. QUANTITY OF CONNECTORS : 1,000PCS/REEL
- 2. LEAD LENGTH



- 3. PEELING OFF FORCE OF COVER TAPE : 0.1N ±0.59N(10.2±60GF)
(PEELING DIRECTION AS SHOW IN FOLLOW FIG.)
- PEELING OFF SPEED : 300mm/Min.(Ref.)



DETAIL
SCALE 2:1



REVISED EC NO: KOR2010-0077 DRWN: HJEONG 2009/11/26 CHKD: YSOOK IM 2009/11/26 APPR: YUNSIK IM 2009/11/27	DESCRIPTION REV	QUALITY SYMBOLS ▽=0 ▽=0	GENERAL TOLERANCES (UNLESS SPECIFIED)		DIMENSION STYLE MM ONLY		SCALE 4:1	DESIGN UNITS METRIC	THIRD ANGLE PROJECTION		
			4 PLACES ± --- ± ---	mm	INCH	DRAWN BY ES. JUNG	DATE 2006.03.02	TITLE 0.5 SHUTTER I/O 24P RECEPTACLE ASSY OFFSET (WITHOUT BATTERY)			
			3 PLACES ± --- ± ---			CHECKED BY SH. CHU	DATE 2006.03.02				
			2 PLACES ± 0.10 ± ---			APPROVED BY S.J. SEH	DATE 2006.03.02	MOLEX INCORPORATED DOCUMENT NO. SD-49437-001			
1 PLACE ± 0.20 ± ---			MATERIAL NO. SEE TABLE		SHEET NO. 2 OF 2						
DRAFT WHERE APPLICABLE MUST REMAIN WITHIN DIMENSIONS			ANGULAR ± 1 °		THIS DRAWING CONTAINS INFORMATION THAT IS PROPRIETARY TO MOLEX INCORPORATED AND SHOULD NOT BE USED WITHOUT WRITTEN PERMISSION						