

CMSD2004S

SURFACE MOUNT  
DUAL, IN SERIES  
SILICON SWITCHING DIODES



www.centrasemi.com

**DESCRIPTION:**

The CENTRAL SEMICONDUCTOR CMSD2004S type is a dual, in series silicon switching diode manufactured by the epitaxial planar process, designed for applications requiring high voltage capability.

**MARKING CODE: B6D**

**SUPERmini™**



**SOT-323 CASE**

**MAXIMUM RATINGS:** ( $T_A=25^\circ\text{C}$ )

Continuous Reverse Voltage  
Peak Repetitive Reverse Voltage  
Peak Repetitive Reverse Current  
Continuous Forward Current  
Peak Repetitive Forward Current  
Peak Forward Surge Current,  $t_p=1.0\mu\text{s}$   
Peak Forward Surge Current,  $t_p=1.0\text{s}$   
Power Dissipation  
Operating and Storage Junction Temperature  
Thermal Resistance

**SYMBOL**

$V_R$  300  
 $V_{RRM}$  300  
 $I_{RRM}$  200  
 $I_F$  225  
 $I_{FRM}$  625  
 $I_{FSM}$  4.0  
 $I_{FSM}$  1.0  
 $P_D$  275  
 $T_J, T_{stg}$  -65 to +150  
 $\Theta_{JA}$  455

**UNITS**

V  
V  
mA  
mA  
mA  
A  
A  
mW  
 $^\circ\text{C}$   
 $^\circ\text{C/W}$

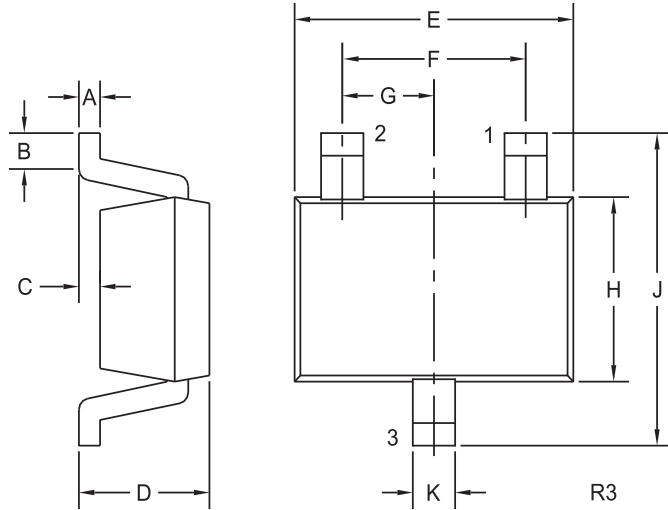
**ELECTRICAL CHARACTERISTICS PER DIODE:** ( $T_A=25^\circ\text{C}$  unless otherwise noted)

SYMBOL	TEST CONDITIONS	MIN	MAX	UNITS
$I_R$	$V_R=240\text{V}$		100	nA
$I_R$	$V_R=240\text{V}, T_A=150^\circ\text{C}$		100	$\mu\text{A}$
$BV_R$	$I_R=100\mu\text{A}$	300		V
$V_F$	$I_F=100\text{mA}$		1.0	V
$C_T$	$V_R=0, f=1.0\text{MHz}$		5.0	pF
$t_{rr}$	$I_F=I_R=30\text{mA}, I_{rr}=3.0\text{mA}, R_L=100\Omega$		50	ns

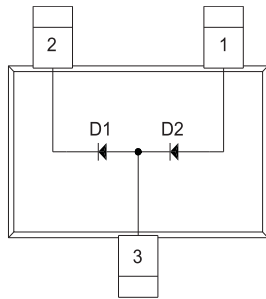
**CMSD2004S**  
**SURFACE MOUNT**  
**DUAL, IN SERIES**  
**SILICON SWITCHING DIODES**



**SOT-323 CASE - MECHANICAL OUTLINE**



**PIN CONFIGURATION**



**LEAD CODE:**

- 1) Anode D2
- 2) Cathode D1
- 3) Anode D1, Cathode D2

**MARKING CODE: B6D**

**DIMENSIONS**

SYMBOL	INCHES		MILLIMETERS	
	MIN	MAX	MIN	MAX
A	0.002	0.008	0.05	0.20
B	0.004	-	0.10	-
C	-	0.004	-	0.10
D	0.031	0.043	0.80	1.10
E	0.071	0.087	1.80	2.20
F	0.051		1.30	
G	0.026		0.65	
H	0.045	0.053	1.15	1.35
J	0.079	0.087	2.00	2.20
K	0.008	0.016	0.20	0.40

SOT-323 (REV: R3)

R6 (8-February 2010)