

**PLEASE CHECK WWW.MOLEX.COM FOR LATEST PART INFORMATION**

**Part Number:** [0780362001](#)  
**Status:** **Active**  
**Overview:** [projector lamp connector](#)  
**Description:** Projector Lamp Receptacle Terminal, 0.90µm (35.4µ") Tin (Sn) Plated, Bent Wing Type, Lead free

**Documents:**

[Drawing \(PDF\)](#) [RoHS Certificate of Compliance \(PDF\)](#)  
[Product Specification PS-78036-001 \(PDF\)](#)

**General**

Product Family	Crimp Terminals
Series	<a href="#">78036</a>
Crimp Quality Equipment	Yes
Overview	<a href="#">projector lamp connector</a>
Product Name	DLP*

**Physical**

Durability (mating cycles max)	250
Gender	Female
Material - Metal	Copper Alloy
Material - Plating Mating	Tin
Material - Plating Termination	Tin
Packaging Type	Reel
Plating min: Mating (µin)	36
Plating min: Mating (µm)	0.90
Plating min: Termination (µin)	36
Plating min: Termination (µm)	0.90
Termination Interface: Style	Crimp or Compression
Wire Insulation Diameter	2.06-3.85mm (.081-.152")
Wire Size AWG	18, 20, 22
Wire Size mm <sup>2</sup>	N/A

**Electrical**

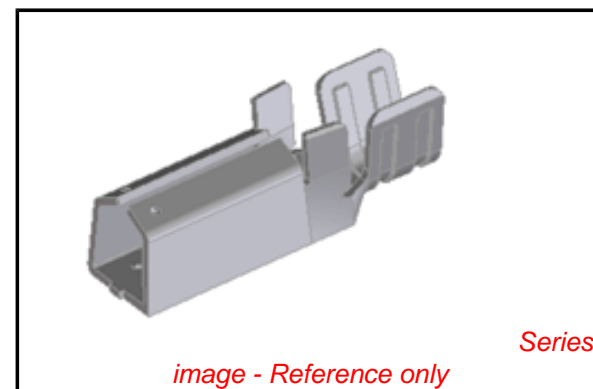
Current - Maximum per Contact	10A
Voltage - Maximum	250V AC (RMS)

**Material Info**

**Reference - Drawing Numbers**

Product Specification	PS-78036-001
Sales Drawing	SD-78036-003

\* DLP is a registered trademark of Texas Instruments Incorporated



**EU RoHS**

**ELV and RoHS  
Compliant**  
**REACH SVHC  
Contains SVHC: No**  
**Halogen-Free  
Status**

**China RoHS**



**Need more information on product  
environmental compliance?**

Email [productcompliance@molex.com](mailto:productcompliance@molex.com)  
 For a multiple part number RoHS Certificate of Compliance, [click here](#)

Please visit the [Contact Us](#) section for any non-product compliance questions.

**Search Parts in this Series**

[78036Series](#)

**Mates With**

[780372001](#) Bent Wing Plug Terminal

**Use With**

[780361001](#) or [781651001](#) Crimp Housing

**Application Tooling | FAQ**

*Tooling specifications and manuals are found by selecting the products below. Crimp Height Specifications are then contained in the Application Tooling Specification document.*

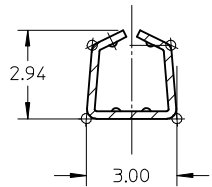
**Global**

Description	Product #
FineAdjust™ Applicator for Sabre™ Flat Blade Crimp Terminal, 18-22 AWG T2 Terminator for	<a href="#">0639014100</a>          <a href="#">0639114100</a>
Projector Lamp Plug	

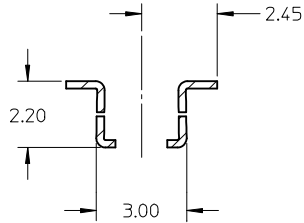
and Receptacle  
Terminal, 18-20  
AWG  
Hand Crimp Tool 0638199600  
For Projector Lamp  
Plug and Receptacle  
Terminal

This document was generated on 05/20/2010

**PLEASE CHECK [WWW.MOLEX.COM](http://WWW.MOLEX.COM) FOR LATEST PART INFORMATION**

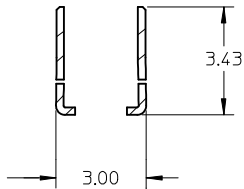


SECTION Z-Z



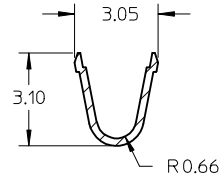
SECTION Y-Y

△ BEND WING TYPE

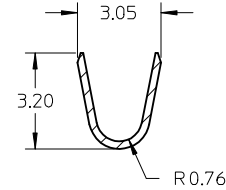


SECTION Y-Y

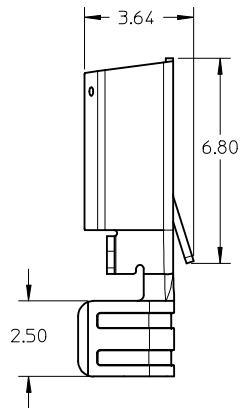
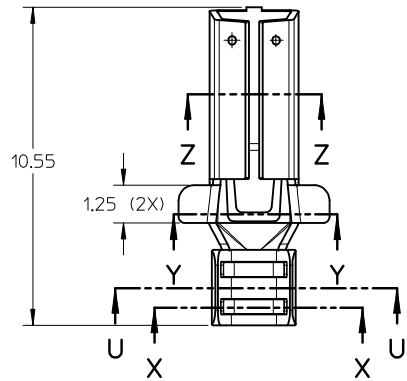
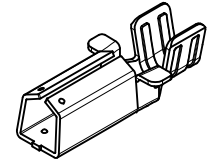
STRAIGHT WING TYPE △



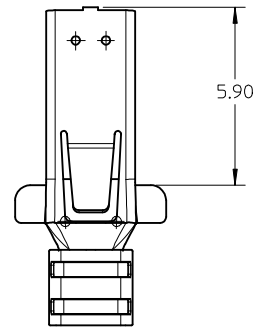
SECTION X-X



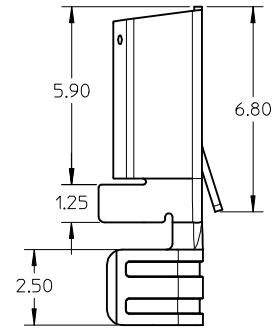
SECTION U-U



BEND WING TYPE △



STRAIGHT WING TYPE △



NOTES:

- MATERIAL : COPPER ALLOY  
PLATING SPEC.: 0.94μm MIN. TIN OVER 0.54μm MIN. NICKEL UNDERPLATE.
- HOUSING TO BE USED WITH : SEE TABLE.
- CRIMP SPECIFICATION : CS-78036-001
- PRODUCT SPECIFICATION : SEE TABLE
- PACKAGING INFORMATION : PAPER REEL
- △ THE FIGURE SHOWN IS FOR ILLUSTRATION PURPOSE.  
IT IS APPLIED TO BOTH STRAIGHT AND BEND WING TYPE.
- △ REFER TO TABLE FOR PART NUMBER.

ADD DIM 3.64	EC NO: S2009-0512	2009/02/06	QUALITY SYMBOLS
	DRWN:GEMEARLY	2009/02/06	
A2	CHKD:CGOH	2009/02/06	▽=0
	APPR:BOKOK	2009/02/06	∇=0

DESCRIPTION
REV

GENERAL TOLERANCES (UNLESS SPECIFIED)	mm	INCH
4 PLACES	± ---	± ---
3 PLACES	± ---	± ---
2 PLACES	± 0.30	± ---
1 PLACE	± ---	± ---
ANGULAR ± 3 °		
DRAFT WHERE APPLICABLE MUST REMAIN WITHIN DIMENSIONS		

DIMENSION STYLE		SCALE	DESIGN UNITS	THIRD ANGLE PROJECTION
MM ONLY		NTS	METRIC	∇
DRAWN BY	DATE	TITLE		
BOKOK	2007/02/26	PROJECTOR LAMP CONNECTOR		
CHECKED BY	DATE	13MM PITCH, RECEPTACLE		
CGOH	2007/03/01	TERMINAL		
APPROVED BY	DATE	MOLEX INCORPORATED		
KCLING	2007/03/01	SD-78036-003		
MATERIAL NO.	DOCUMENT NO.	SHEET NO.		
SEE TABLE	SEE TABLE	1 OF 3		

THIS DRAWING CONTAINS INFORMATION THAT IS PROPRIETARY TO MOLEX INCORPORATED AND SHOULD NOT BE USED WITHOUT WRITTEN PERMISSION			
-------------------------------------------------------------------------------------------------------------------------------	--	--	--

10 9 8 7 6 5 4 3 2 1

F

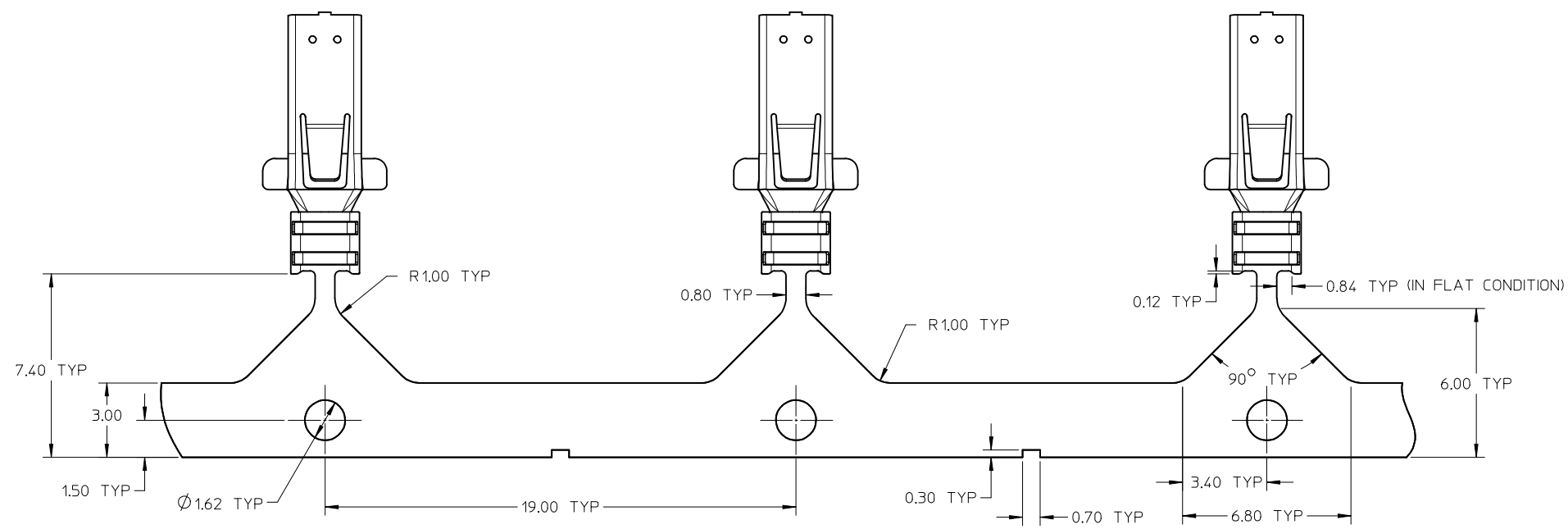
E

D

C

B

A



TERMINAL LAYOUT  $\triangle 6$

ADD DIM 3.64 EC NO: S2009-0512 DRWN:EMENARLY 2009/02/06 CHKD:CGOH 2009/02/06 APPR:BOKOK 2009/02/06	QUALITY SYMBOLS	GENERAL TOLERANCES (UNLESS SPECIFIED)	DIMENSION STYLE	SCALE	DESIGN UNITS	THIRD ANGLE PROJECTION															
	$\nabla=0$ $\triangle=0$	<table border="1"> <thead> <tr> <th></th> <th>mm</th> <th>INCH</th> </tr> </thead> <tbody> <tr> <td>4 PLACES</td> <td>± ---</td> <td>± ---</td> </tr> <tr> <td>3 PLACES</td> <td>± ---</td> <td>± ---</td> </tr> <tr> <td>2 PLACES</td> <td>± 0.30</td> <td>± ---</td> </tr> <tr> <td>1 PLACE</td> <td>± ---</td> <td>± ---</td> </tr> </tbody> </table>		mm	INCH	4 PLACES	± ---	± ---	3 PLACES	± ---	± ---	2 PLACES	± 0.30	± ---	1 PLACE	± ---	± ---	MM ONLY	NTS	METRIC	
		mm	INCH																		
	4 PLACES	± ---	± ---																		
3 PLACES	± ---	± ---																			
2 PLACES	± 0.30	± ---																			
1 PLACE	± ---	± ---																			
DESCRIPTION	ANGULAR $\pm 3^\circ$ DRAFT WHERE APPLICABLE MUST REMAIN WITHIN DIMENSIONS	DRAWN BY: BOKOK CHECKED BY: CGOH APPROVED BY: KCLING MATERIAL NO.	DATE: 2007/02/26 DATE: 2007/03/01 DATE: 2007/03/01	TITLE: PROJECTOR LAMP CONNECTOR 13MM PITCH, RECEPTACLE TERMINAL MOLEX INCORPORATED DOCUMENT NO. SD-78036-003																	
REV	A2	SIZE	SEE TABLE THIS DRAWING CONTAINS INFORMATION THAT IS PROPRIETARY TO MOLEX INCORPORATED AND SHOULD NOT BE USED WITHOUT WRITTEN PERMISSION																		

9 8 7 6 5 4 3 2 1

10 9 8 7 6 5 4 3 2 1

F

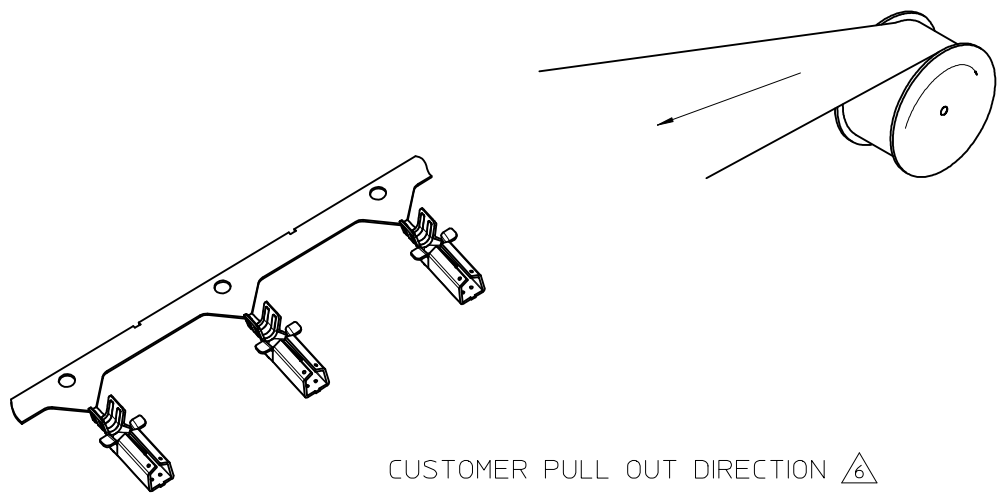
E

D

C

B

A



CUSTOMER PULL OUT DIRECTION  $\triangle 6$

ADD DIM 3.64 EC NO: S2009-0512 DRW: NIGMENARLY CH: KD: CGOH APPR: BOKOK	2009/02/06 2009/02/06 2009/02/06	DESCRIPTION REV	QUALITY SYMBOLS $\blacktriangledown = 0$ $\triangle = 0$	GENERAL TOLERANCES (UNLESS SPECIFIED)		DIMENSION STYLE MM ONLY		SCALE NTS	DESIGN UNITS METRIC	$\text{THIRD ANGLE PROJECTION}$	
				4 PLACES $\pm$ --- $\pm$ --- 3 PLACES $\pm$ --- $\pm$ --- 2 PLACES $\pm 0.30$ $\pm$ --- 1 PLACE $\pm$ --- $\pm$ ---	mm INCH	DRAWN BY BOKOK	DATE 2007/02/26	TITLE PROJECTOR LAMP CONNECTOR 13MM PITCH, RECEPTACLE TERMINAL			
				ANGULAR $\pm 3^\circ$	CHECKED BY CGOH	DATE 2007/03/01	MOLEX INCORPORATED				
			DRAFT WHERE APPLICABLE MUST REMAIN WITHIN DIMENSIONS	APPROVED BY KCLING	DATE 2007/03/01	MATERIAL NO. SEE TABLE	DOCUMENT NO. SD-78036-003	SHEET NO. 3 OF 3			

9 8 7 6 5 4 3 2 1