

**PLEASE CHECK WWW.MOLEX.COM FOR LATEST PART INFORMATION**

**Part Number:** [0740950016](#)  
**Status:** **Active**  
**Description:** 2.54mm (.100") Pitch SL™ Header, Single Row, Vertical, Shrouded, 16 Circuits, Tin (Sn) Over Nickel (Ni) Plating

**Documents:**

[Drawing \(PDF\)](#) [Product Specification PS-74095-001 \(PDF\)](#)  
[Product Specification PS-70400 \(PDF\)](#) [RoHS Certificate of Compliance \(PDF\)](#)

**Agency Certification**

CSA LR19980  
 UL E29179

**General**

Product Family PCB Headers  
 Series [74095](#)  
 Application Wire-to-Board  
 Product Name SL™

**Physical**

Breakaway No  
 Circuits (Loaded) 16  
 Circuits (maximum) 16  
 Color - Resin Black  
 Durability (mating cycles max) 25  
 First Mate / Last Break No  
 Flammability 94V-0  
 Glow-Wire Compliant No  
 Guide to Mating Part No  
 Keying to Mating Part None  
 Lock to Mating Part Yes  
 Material - Metal Copper Alloy  
 Material - Plating Mating Tin  
 Material - Plating Termination Tin  
 Material - Resin High Temperature Thermoplastic  
 Number of Rows 1  
 Orientation Vertical  
 PC Tail Length (in) 0.174 In  
 PC Tail Length (mm) 4.41 mm  
 PCB Locator No  
 PCB Retention None  
 PCB Thickness Recommended (in) 0.093 In  
 PCB Thickness Recommended (mm) 2.36 mm  
 Packaging Type Tube  
 Pitch - Mating Interface (in) 0.100 In  
 Pitch - Mating Interface (mm) 2.54 mm  
 Pitch - Term. Interface (in) 0.100 In  
 Pitch - Term. Interface (mm) 2.54 mm  
 Polarized to Mating Part Yes  
 Polarized to PCB No  
 Shrouded Fully  
 Stackable No  
 Surface Mount Compatible (SMC) No  
 Temperature Range - Operating -40°C to +105°C  
 Termination Interface: Style Through Hole - Compliant Pin

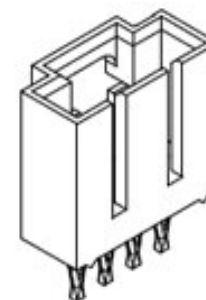


image - Reference only

Series

**EU RoHS**

**ELV and RoHS Compliant**  
**REACH SVHC**  
 Not Reviewed  
**Halogen-Free Status**

**China RoHS**



**Not Halogen-Free**

**Need more information on product environmental compliance?**

Email [productcompliance@molex.com](mailto:productcompliance@molex.com)  
 For a multiple part number RoHS Certificate of Compliance, [click here](#)

Please visit the [Contact Us](#) section for any non-product compliance questions.

**Search Parts in this Series**

[74095Series](#)

**Electrical**

Current - Maximum per Contact

3A

Voltage - Maximum

250V

**Material Info****Reference - Drawing Numbers**

Product Specification

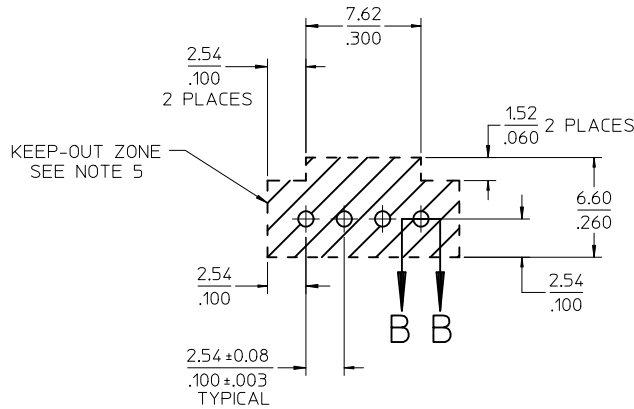
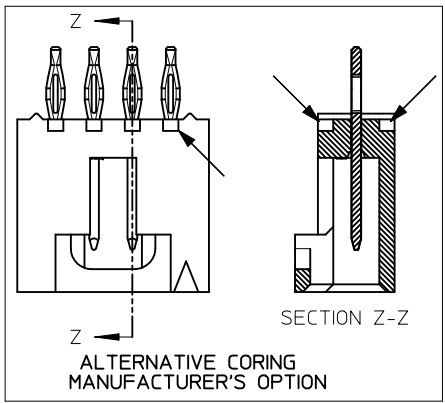
PS-70400, PS-74095-001

Sales Drawing

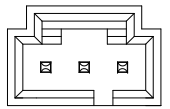
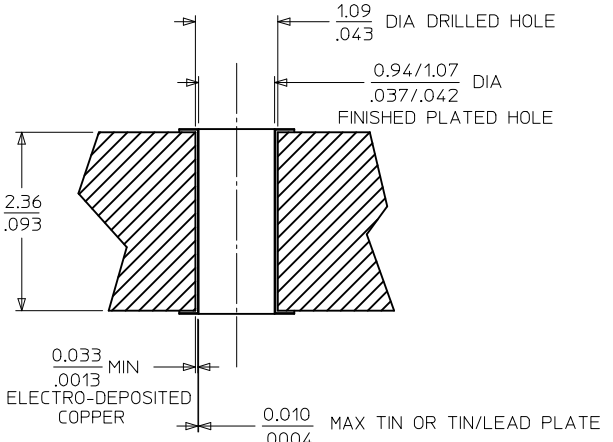
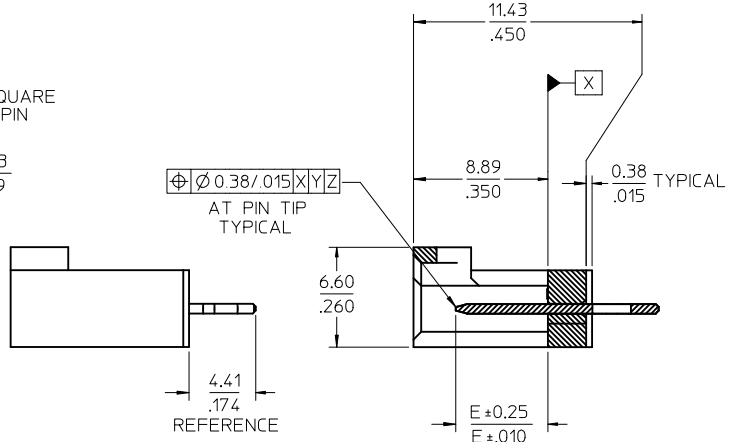
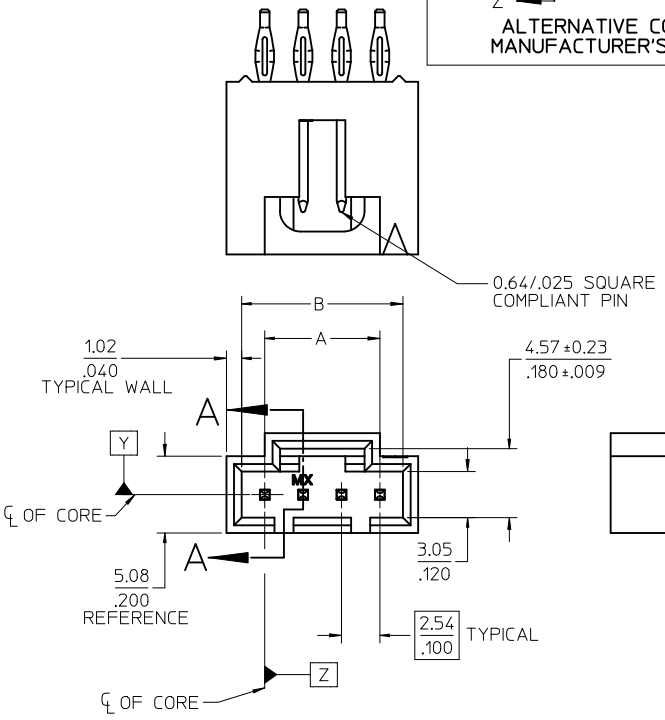
SD-74095-001

This document was generated on 06/07/2010

**PLEASE CHECK [WWW.MOLEX.COM](http://WWW.MOLEX.COM) FOR LATEST PART INFORMATION**



CKT SIZE	DIM A		DIM B	
	MM	IN.	MM	IN.
3	5.08	.200	8.13	.320
4	7.62	.300	10.67	.420
5	10.16	.400	13.21	.520
6	12.70	.500	15.75	.620
7	15.24	.600	18.29	.720
8	17.78	.700	20.83	.820
9	20.32	.800	23.37	.920
10	22.86	.900	25.91	1.020
11	25.40	1.000	28.45	1.120
12	27.94	1.100	30.99	1.220
13	30.48	1.200	33.53	1.320
14	33.02	1.300	36.07	1.420
15	35.56	1.400	38.61	1.520
16	38.10	1.500	41.15	1.620
17	40.64	1.600	43.69	1.720
18	43.18	1.700	46.23	1.820
19	45.72	1.800	48.77	1.920
20	48.26	1.900	51.31	2.020
21	50.80	2.000	53.85	2.120
22	53.34	2.100	56.39	2.220
23	55.88	2.200	58.93	2.320
24	58.42	2.300	61.47	2.420
25	60.96	2.400	64.01	2.520



- NOTES:
- MATERIAL:  
HOUSING: GLASS FILLED POLYESTER, UL94V-0, COLOR - BLACK.  
PINS: COPPER ALLOY.
  - FINISH:  
30 GOLD: 0.76 MICROMETERS/30 MICROINCHES MINIMUM SELECT GOLD  
2.54 MICROMETERS/ 100 MICROINCHES MINIMUM SELECT TIN/LEAD OVER NICKEL UNDERPLATE OVERALL  
15 GOLD: 0.38 MICROMETERS/15 MICROINCHES MINIMUM SELECT GOLD  
2.54 MICROMETERS/ 100 MICROINCHES MINIMUM SELECT TIN/LEAD OVER NICKEL UNDERPLATE OVERALL  
TIN: 5.08 MICROMETERS/200 MICROINCHES MINIMUM TIN OVER NICKEL UNDERPLATE OVERALL
  - PRODUCT SPECIFICATION: PS-74095-001
  - PACKAGING SPECIFICATION: PK-70873-0014
  - NO FEATURES WHICH RISE ABOVE THE PCB SURFACE ALLOWED IN THIS AREA
  - THIS PART CONFORMS TO MOLEX COSMETIC SPECIFICATION: PS-45992-002 CLASS C

REV	DESCRIPTION	QUALITY SYMBOLS	GENERAL TOLERANCES (UNLESS SPECIFIED)		DIMENSION STYLE MM/IN	SCALE 4:1	DESIGN UNITS INCH	THIRD ANGLE PROJECTION
			mm	INCH				
ADD 4, 16 & 20 CKT			4 PLACES	± .005				SALES ASSY, SL VERTICAL HEADER W/COMPLIANT PIN NO PEGS
EC NO: UCP2010-1046			3 PLACES	± .005				
DRWN:MSIBARRA	2009/10/21		2 PLACES	± 0.13	± .010			
CHKD:DMORGAN	2009/12/01		1 PLACE	± 0.25	± .005			
APPR:SMILLER	2009/12/01		ANGULAR ± 1/2°					MOLEX INCORPORATED
			DRAFT WHERE APPLICABLE MUST REMAIN WITHIN DIMENSIONS		SEE TABLE			
					MATERIAL NO.	DOCUMENT NO.	SHEET NO.	
						SD-74095-001	1 OF 2	
THIS DRAWING CONTAINS INFORMATION THAT IS PROPRIETARY TO MOLEX INCORPORATED AND SHOULD NOT BE USED WITHOUT WRITTEN PERMISSION								

CIRCUIT SIZE	ITEM NUMBER 74095	DIM E	PLATING SEE NOTE 6	MATING END PLATING	PC BOARD END PLATING
				TYPE	TYPE
4	-0004	7.49 .295	TIN	TIN	TIN
4	-0034	7.49 .295	15 GOLD	GOLD	TIN/LEAD
4	-0064	7.49 .295	30 GOLD	GOLD	TIN/LEAD
16,20,25	-0016,-0020 -0025	7.49 .295	TIN	TIN	TIN
16,20,25	-0046,-0050 -0055	7.49 .295	15 GOLD	GOLD	TIN/LEAD
16,20,25	-0076,-0080 -0085	7.49 .295	30 GOLD	GOLD	TIN/LEAD

CIRCUIT SIZE	ASSEMBLY ITEM NUMBER	ASSEMBLY ITEM NUMBER	ASSEMBLY ITEM NUMBER	ASSEMBLY ITEM NUMBER	ASSEMBLY ITEM NUMBER	ASSEMBLY ITEM NUMBER
3						
4	74095-0004	74095-0034	74095-0064			
5						
6						
7						
8						
9						
10						
11						
12						
13						
14						
15						
16	74095-0016	74095-0046	74095-0076			
17						
18						
19						
20	74095-0020	74095-0050	74095-0080			
21						
22						
23						
24						
25	74095-0025	74095-0055	74095-0085			

ADD 4, 16 & 20 CKT EC NO: UCP2010-1046 DRWINHISIBARRA 2009/10/21 CHKDJMORGAN 2009/12/01 APPR:SMILLER 2009/12/01	DESCRIPTION REV B	QUALITY SYMBOLS ▽=0 ▽=0 ▽=0	GENERAL TOLERANCES (UNLESS SPECIFIED)		DIMENSION STYLE	SCALE	DESIGN UNITS	THIRD ANGLE PROJECTION MOLEX INCORPORATED SD-74095-001 SHEET NO. 2 OF 2
					MM/IN	1:1	INCH	
					DRAWN BY DATE	TITLE		
					CHECKED BY DATE			
			4 PLACES ± --- ± ---	MIBARRA 2008/07/18	SALES ASSY, SL VERTICAL HEADER W/COMPLIANT PIN NO PEGS			
			3 PLACES ± --- ± .005	DMORGAN 2008/07/18				
			2 PLACES ± 0.13 ± .010	APPROVED BY DATE				
			1 PLACE ± 0.25 ± ---	SMILLER 2007/08/18				
			ANGULAR ±1/2°	MATERIAL NO.				
			DRAFT WHERE APPLICABLE MUST REMAIN WITHIN DIMENSIONS	SEE TABLE				
				SIZE C	THIS DRAWING CONTAINS INFORMATION THAT IS PROPRIETARY TO MOLEX INCORPORATED AND SHOULD NOT BE USED WITHOUT WRITTEN PERMISSION			