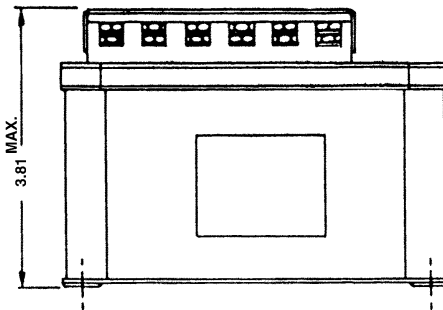
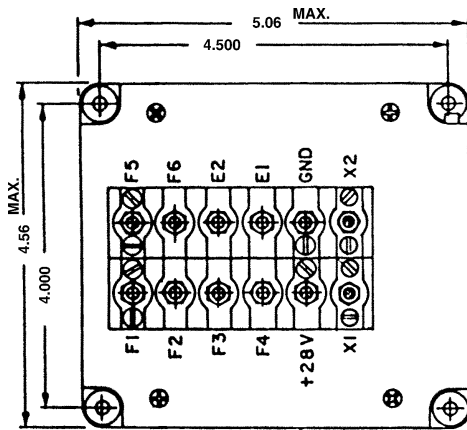


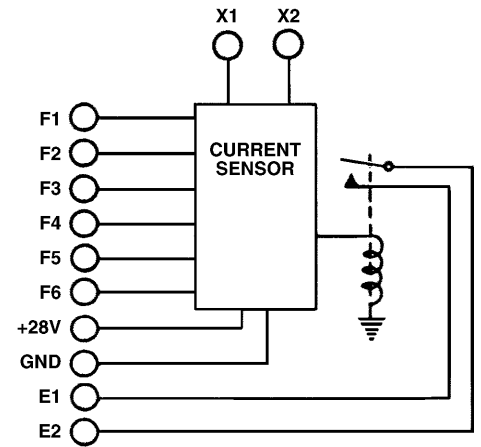
E-145AK-4 SPST, 5 Amps, 115 VAC

Features:

- SPST Main Contacts
- Hermetically Sealed
- Three Phase Current Sensor
- 115 VAC
- 5 Amps
- High Reliability
- Meets many requirements of MIL-R-6106



CONTACTOR CONFIGURATION



Dimensions for this product are expressed in inches. Multiply values by 25.4 for millimeters.

PRODUCT SPECIFICATIONS	
Input Power	28 VDC
Sensor Input	400 Hz
Pick-Up Current (Relay Controlled)	3.5 ±5 Amps, 14 ±1 Amp
Drop-Out Current	.05 Amp Minimum
Contacts (Hermetic Seal)	5.0 Amps Resistive 3.0 Amps Inductive
Weight Maximum	2 Lbs.

Notes:

For factory-direct application assistance, contact the HARTMAN product team at (419) 521-9500, Fax (419) 526-2749.

© 2004 by Tyco Electronics Corporation. All Rights Reserved. HARTMAN and TYCO are trademarks.