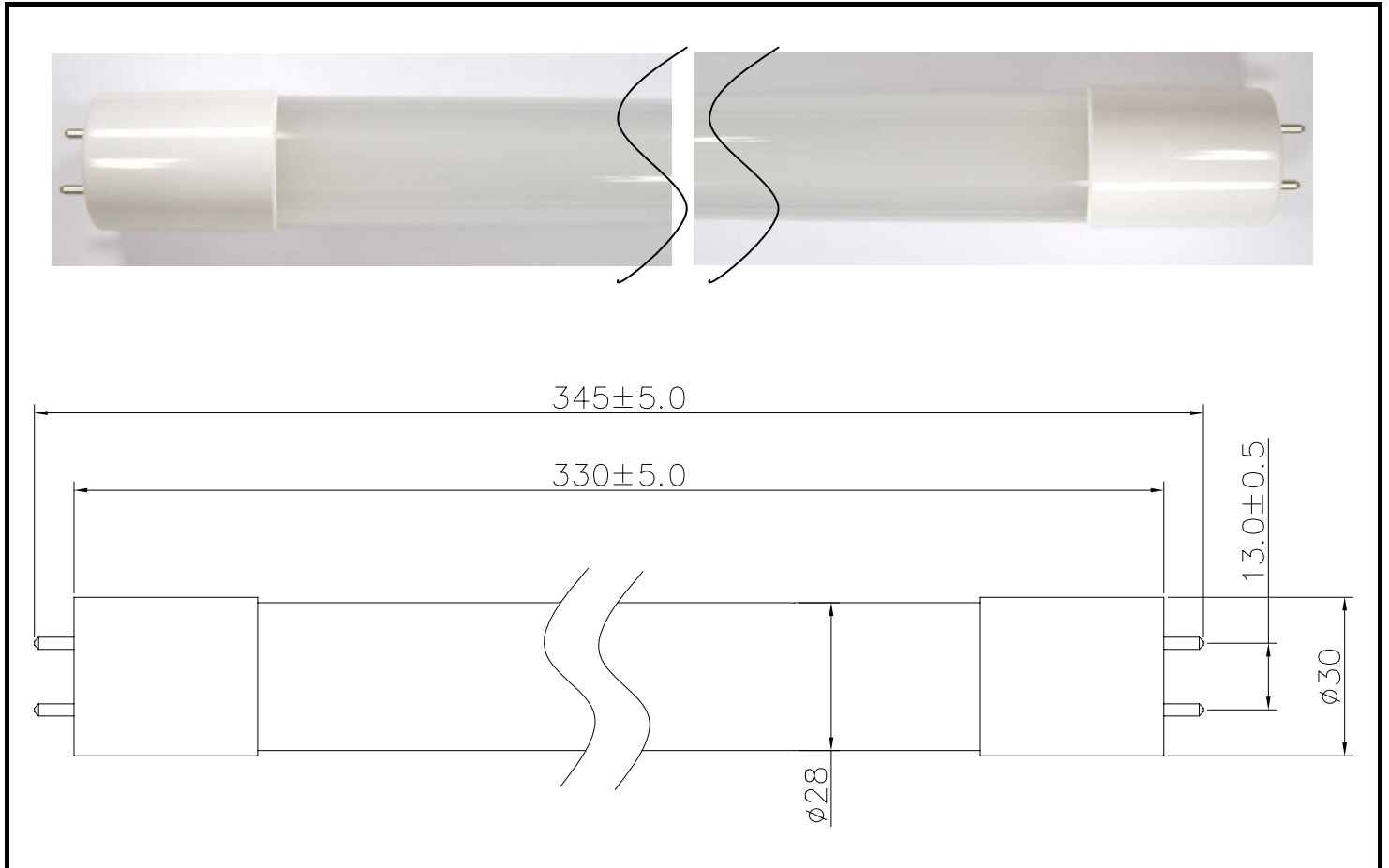


Part No.	AB-FT10480WD	Diff No.
Ø30x345mm	LED Fluorescent Tube Light	Type : T9

■ Product Photo:**■ Features:**

- LED power : 4.8 W.
- Dimension : Ø30 × 345mm (1 feet).
- Emitted color : White.
- Chip material : InGaN.
- High luminance, Lower power consumption.
- No UV or IR radiation.
- Excellent thermal performance.
- Heat sink : Aluminum extrusion.
- Compatible with Fluorescent Tube T9.
- Optional plastic light cover : White Diffused.
- Long life LED span to 40,000 hours.
- **Not suitable electronic ballasts.**

Part No.

AB-FT10480WD

Diff No.

Ø30x345mm

LED Fluorescent Tube Light

Type : T9

■ **Specification:**

Parameter	Symbol	Rating	Unit
Input Voltage	V_{IN}	AC 90 ~ 264	V
Forward Current	I_F	0.1 (Max.)	A
Emitting degree	$2\theta_{1/2}$	120	deg.
Color Temperature	CCT	5500±500	K
Luminous Flux	Flux	300 (Transmittance=80%)	lm
Power Dissipation	P_D	4.8	W
Operating Temperature Range	T_{opr}	-10 ~ 40	°C
Storage Temperature Range	T_{stg}	-20 ~ 50	°C

Parameter	Rating	Unit
Work Frequency	47 ~ 63	Hz
Weight	109	g