

PLEASE CHECK WWW.MOLEX.COM FOR LATEST PART INFORMATION

Part Number: **0878240008**
Status: **Active**
Description: 1.27mm (.050") Signal Pitch, 0.80mm (.031") SCSI Pitch, 1.27mm (.050") Power Pitch SAS Receptacle, Vertical, Surface Mount, with Surface Mount Solder Tab, 4.6mm (.180") PCB Thickness, 29 Circuits, without Cap, Tray, Leadfree

Documents:

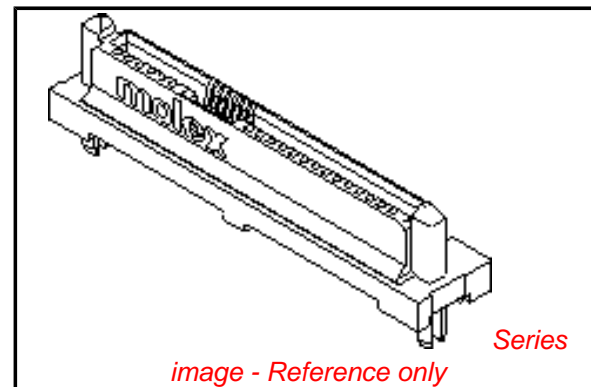
[3D Model](#) [Product Specification PS-87824-029 \(PDF\)](#)
[Drawing \(PDF\)](#) [RoHS Certificate of Compliance \(PDF\)](#)

General

| | |
|----------------|-----------------------|
| Product Family | I/O Connectors |
| Series | 87824 |
| Application | Board-to-Board |
| Comments | No pick and place cap |
| Component Type | Receptacle |
| Product Name | SAS |
| Type | N/A |

Physical

| | |
|--------------------------------|----------------------------|
| Boot Color | N/A |
| Circuits (Loaded) | 29 |
| Circuits (maximum) | 29 |
| Circuits Detail | Signal 7, SCSI 7, Power 15 |
| Color - Resin | Black |
| Durability (mating cycles max) | 500 |
| Gender | Female |
| Keying to Mating Part | Yes |
| Lock to Mating Part | None |
| Material - Metal | Brass, Phosphor Bronze |
| Material - Plating Mating | Gold |
| Material - Plating Termination | Tin |
| Number of Rows | 2 |
| Orientation | Vertical |
| PCB Locator | Yes |
| PCB Retention | Yes |
| PCB Thickness Recommended (in) | 0.180 In |
| PCB Thickness Recommended (mm) | 4.60 mm |
| Packaging Type | Tray |
| Panel Mount | Yes |
| Pitch - Mating Interface (in) | 0.031 In, 0.050 In |
| Pitch - Mating Interface (mm) | 0.80 mm, 1.27 mm |
| Pitch - Term. Interface (in) | 0.031 In, 0.050 In |
| Pitch - Term. Interface (mm) | 0.80 mm, 1.27 mm |
| Plating min: Mating (µin) | 30 |
| Plating min: Mating (µm) | 0.76 |
| Plating min: Termination (µin) | 102 |
| Plating min: Termination (µm) | 2.54 |
| Polarized to Mating Part | Yes |
| Polarized to PCB | Yes |
| Surface Mount Compatible (SMC) | N/A |
| Temperature Range - Operating | 0°C to +55°C |
| Termination Interface: Style | Surface Mount |
| Waterproof / Dustproof | No |
| Wire Size AWG | N/A |



EU RoHS

**ELV and RoHS
Compliant**
REACH SVHC
 Not Reviewed
**Halogen-Free
Status**

China RoHS



**Need more information on product
environmental compliance?**

Email productcompliance@molex.com
 For a multiple part number RoHS Certificate of Compliance, [click here](#)

Please visit the [Contact Us](#) section for any non-product compliance questions.

Search Parts in this Series

87824Series

Mates With

SFF-8482 Hard Disk Drive and Backplane Plug. [87679](#) Serial ATA Device Plug with Latch. [87703](#) Serial ATA Device Plug without Jumper. [87799](#) Serial ATA Device Plug with Jumper

Electrical

| | |
|-------------------------------|------|
| Current - Maximum per Contact | 1.5A |
| Shielded | No |
| Voltage - Maximum | 30V |

Solder Process Data

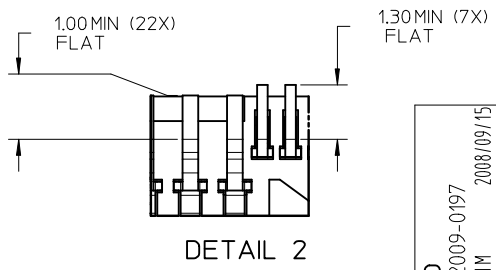
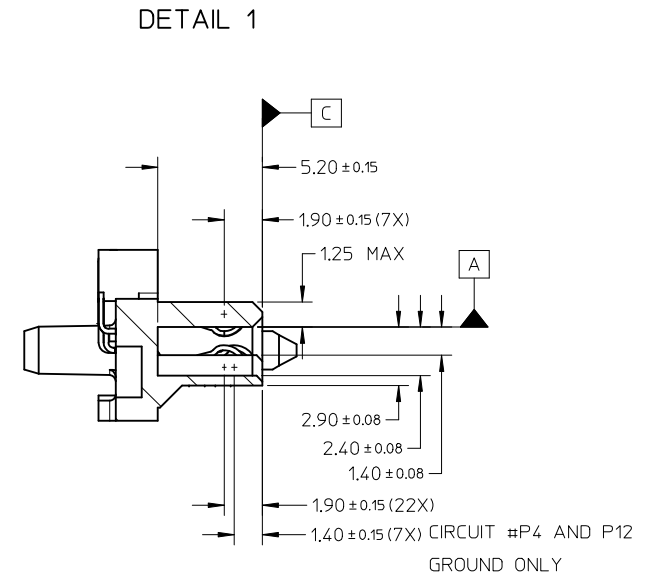
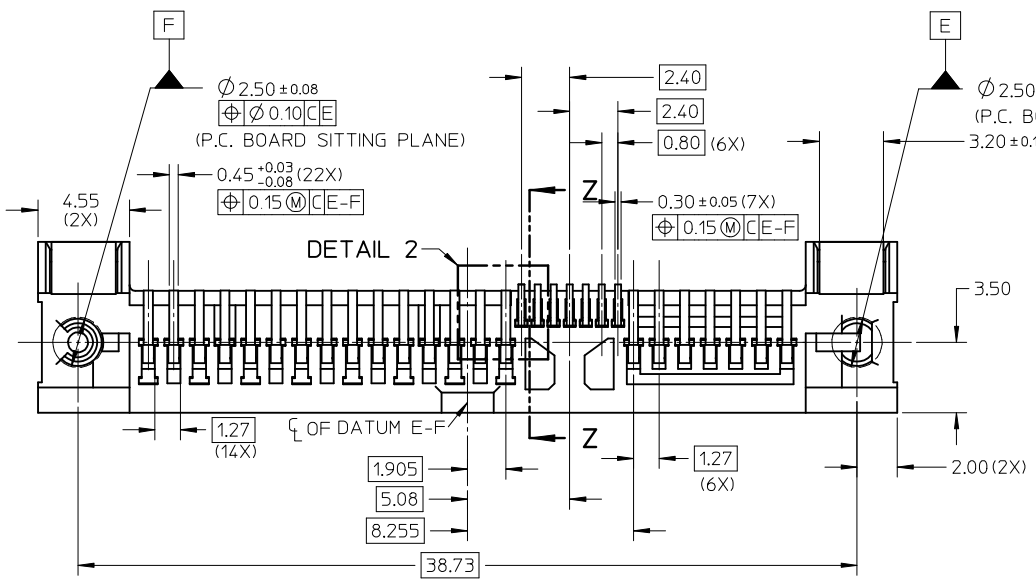
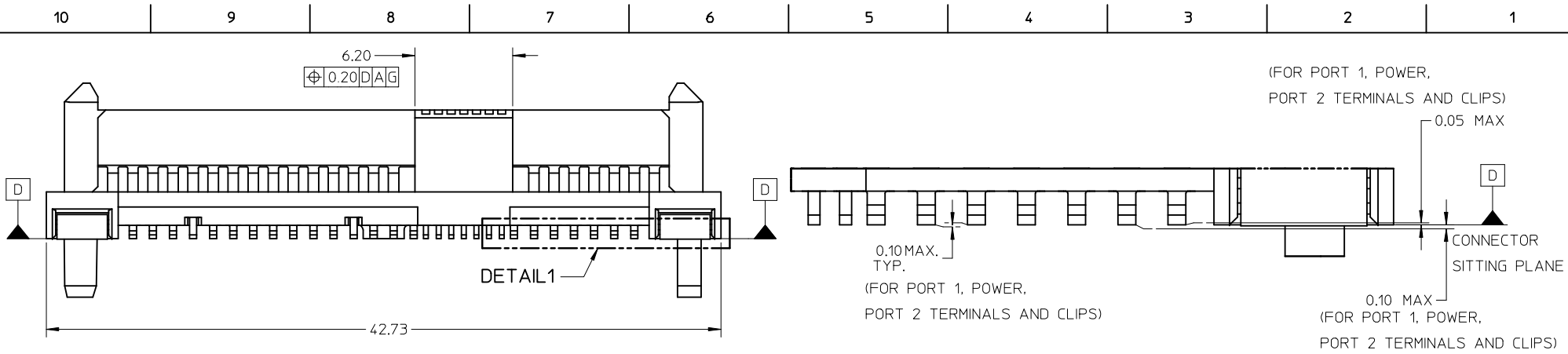
| | |
|--|---------------------------|
| Duration at Max. Process Temperature (seconds) | 10 |
| Lead-free Process Capability | Reflow Capable (SMT only) |
| Max. Cycles at Max. Process Temperature | 1 |
| Process Temperature max. C | 260 |

Material Info**Reference - Drawing Numbers**

| | |
|-----------------------|--------------|
| Product Specification | PS-87824-029 |
| Sales Drawing | SD-87824-031 |

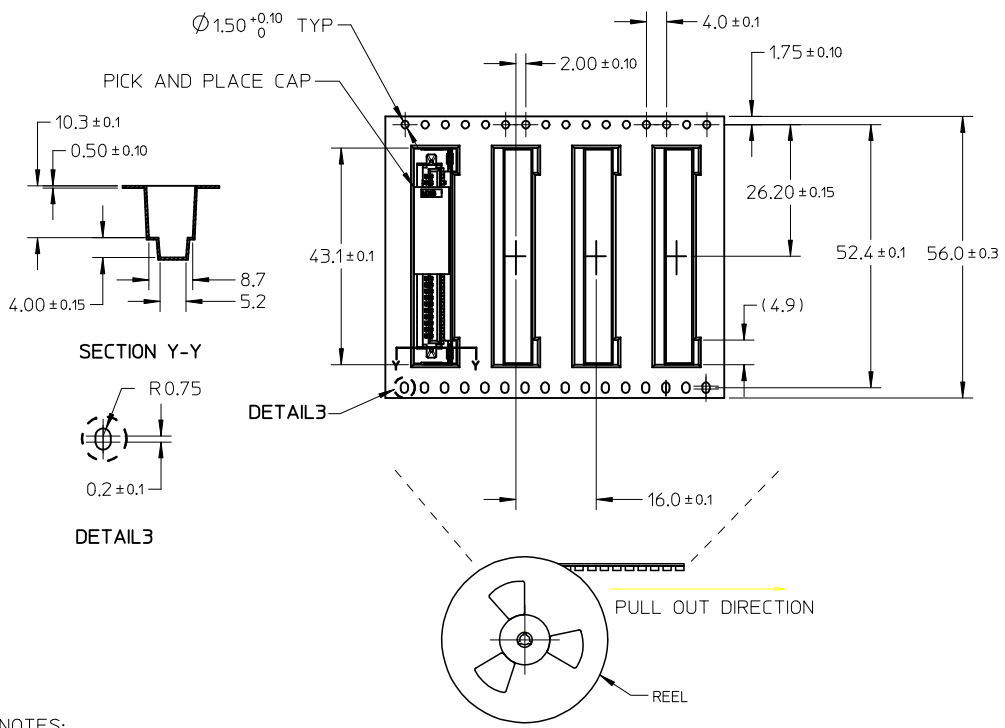
This document was generated on 04/09/2010

PLEASE CHECK WWW.MOLEX.COM FOR LATEST PART INFORMATION

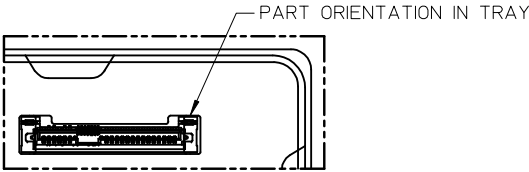
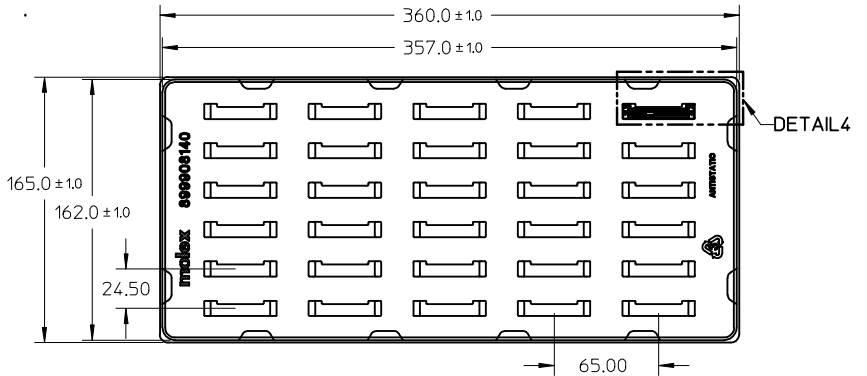


| | | | | | | | | | | | |
|--|-------------------------------|--|----------------------|-----------------------------------|---------------------|----------------------|------------------------|--|-------------------------------------|----------------------------|--|
| REVISED EC NO: S2009-0197 DRW:KHLIM 2008/09/15 CHKD:LG0H 2008/09/16 APPR:BOKOK 2008/09/16 | QUALITY SYMBOLS ▽=0 ◻=0 | GENERAL TOLERANCES (UNLESS SPECIFIED) | | DIMENSION STYLE MM ONLY | | SCALE NTS | DESIGN UNITS METRIC | THIRD ANGLE PROJECTION | | | |
| | | 4 PLACES ± --- ± --- | 3 PLACES ± --- ± --- | 2 PLACES ± 0.20 ± --- | 1 PLACE ± --- ± --- | DRAWN BY KHLIM | DATE 2005/07/07 | TITLE SERIAL ATTACH SCSI STD HEIGHT BACKPLANE SMT RECEPT (WITH SOLDER TAB) | | | |
| | | ANGULAR ± 3 ° | | | | CHECKED BY SHFONG | DATE 2005/07/15 | MOLEX INCORPORATED | | | |
| | | DRAFT WHERE APPLICABLE MUST REMAIN WITHIN DIMENSIONS | | | | APPROVED BY SKTOH | DATE 2005/07/15 | MATERIAL NO. SEE TABLE | DOCUMENT NO. SD-87824-031 | SHEET NO. 2 OF 4 | |

TAPE AND REEL PACKAGING



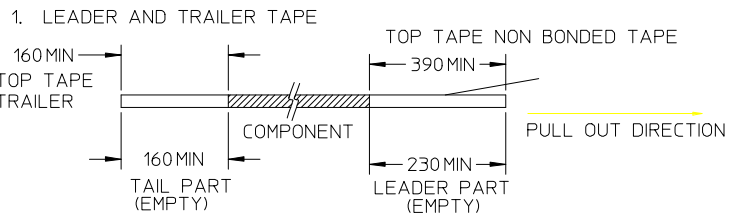
TRAY PACKAGING



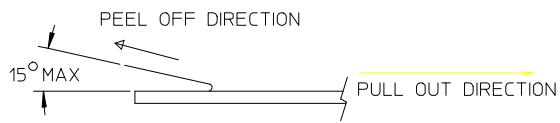
NOTES:
 1. PACKAGING QTY: 30PCS/TRAY
 2. NO PICK AND PLACE CAP

DETAIL4

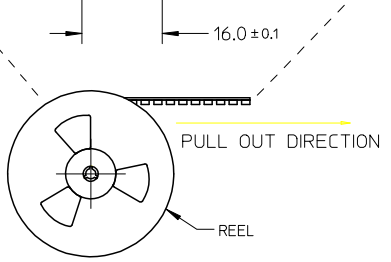
NOTES:



2. PEELING OFF FORCE OF THE TOP TAPE: 80gf MAX.
 (PEELING DIRECTION AS SHOWN IN FOLLOWING FIGURE)



- 3. PACKAGING QTY: 350 PCS/REEL
- 4. PACKAGING STANDARD IS AS PER EIA-481.
- 5. CONNECTOR COMES WITH PICK AND PLACE CAP.



| | | | | | | | | |
|--|--------------------|-----------------|--|---|-----------|--|------------------------|--|
| REVISED EC NO: S2009-0197 DRW:KHLIM CHKD:CGOH APPR:BOKOK 2008/09/15 2008/09/16 2008/09/16 | DESCRIPTION REV | QUALITY SYMBOLS | GENERAL TOLERANCES (UNLESS SPECIFIED) | DIMENSION STYLE | SCALE | DESIGN UNITS | THIRD ANGLE PROJECTION | |
| | | ▼=0 ▽=0 | mm INCH 4 PLACES ± --- ± --- 3 PLACES ± --- ± --- 2 PLACES ± 0.20 ± --- 1 PLACE ± --- ± --- ANGULAR ± 3 ° | MM ONLY | NTS | METRIC | | |
| | | | | DRAWN BY: KHLIM DATE: 2005/07/07 CHECKED BY: SHFONG DATE: 2005/07/15 APPROVED BY: SKTOH DATE: 2005/07/15 | TITLE | SERIAL ATTACH SCSI STD HEIGHT BACKPLANE SMT RECEPT (WITH SOLDER TAB) | | |
| | | | | MATERIAL NO. DOCUMENT NO. | SEE TABLE | MOLEX INCORPORATED SD-87824-031 | | |
| DRAFT WHERE APPLICABLE MUST REMAIN WITHIN DIMENSIONS | | | THIS DRAWING CONTAINS INFORMATION THAT IS PROPRIETARY TO MOLEX INCORPORATED AND SHOULD NOT BE USED WITHOUT WRITTEN PERMISSION | | | | | |
| | | | SIZE | SHEET NO. | | | | |
| | | | A3 | 4 OF 4 | | | | |