

PLEASE CHECK WWW.MOLEX.COM FOR LATEST PART INFORMATION

Part Number: [5008111010](#)
Status: **Active**
Description: Mini-HMC™ Rectangular Industrial Wire-to-Wire Cover, Right Angle, 40 Circuits, for Plug

Documents:

[Drawing \(PDF\)](#) [RoHS Certificate of Compliance \(PDF\)](#)
[Product Specification PS-500810-001 \(PDF\)](#)

General

Product Family	I/O Connectors
Series	500811
Application	Panel-Mount, Wire-to-Wire
Component Type	Plug Shell Cover
Product Name	Mini-HMC™
Type	N/A

Physical

Boot Color	N/A
Circuits (Loaded)	N/A
Circuits (maximum)	40
Durability (mating cycles max)	50
Gender	Plug
Lock to Mating Part	Yes
Material - Metal	Aluminum, Stainless Steel, Steel
Material - Plating Mating	n/a
Number of Rows	0
Orientation	Right Angle
PCB Locator	No
Packaging Type	Bag
Panel Mount	Screws
Pitch - Mating Interface (in)	0.000 In
Pitch - Mating Interface (mm)	0.00 mm
Polarized to Mating Part	Yes
Polarized to PCB	N/A
Ports	0
Surface Mount Compatible (SMC)	N/A
Temperature Range - Operating	-55°C to +105°C
Termination Interface: Style	N/A
Waterproof / Dustproof	Yes

Electrical

Current - Maximum per Contact	1.5A, 2.5A
Shield Type	Full Shield
Shielded	Yes
Voltage - Maximum	250V AC (RMS)/DC

Material Info

Reference - Drawing Numbers

Application Specification	AS-500811-001
Packaging Specification	PK-500811-001
Product Specification	PS-500810-001
Sales Drawing	SD-500811-002

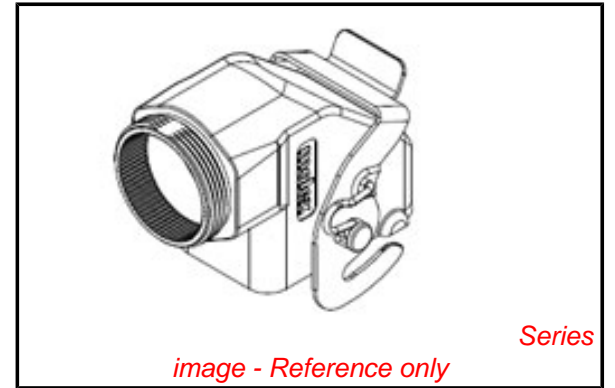


image - Reference only

EU RoHS

China RoHS

Compliance Status

Not Reviewed

REACH SVHC

Not Reviewed

Halogen-Free

Status

Not Reviewed

Need more information on product environmental compliance?

Email productcompliance@molex.com
 For a multiple part number RoHS Certificate of Compliance, [click here](#)

Please visit the [Contact Us](#) section for any non-product compliance questions.

Search Parts in this Series

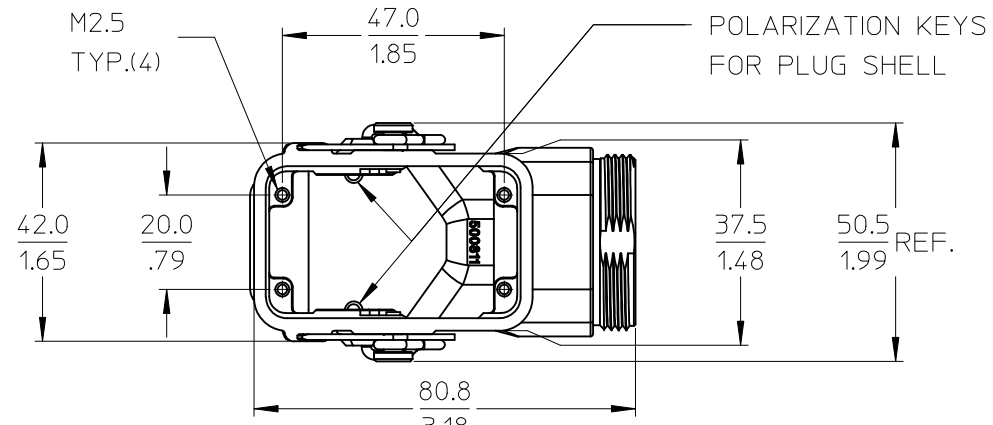
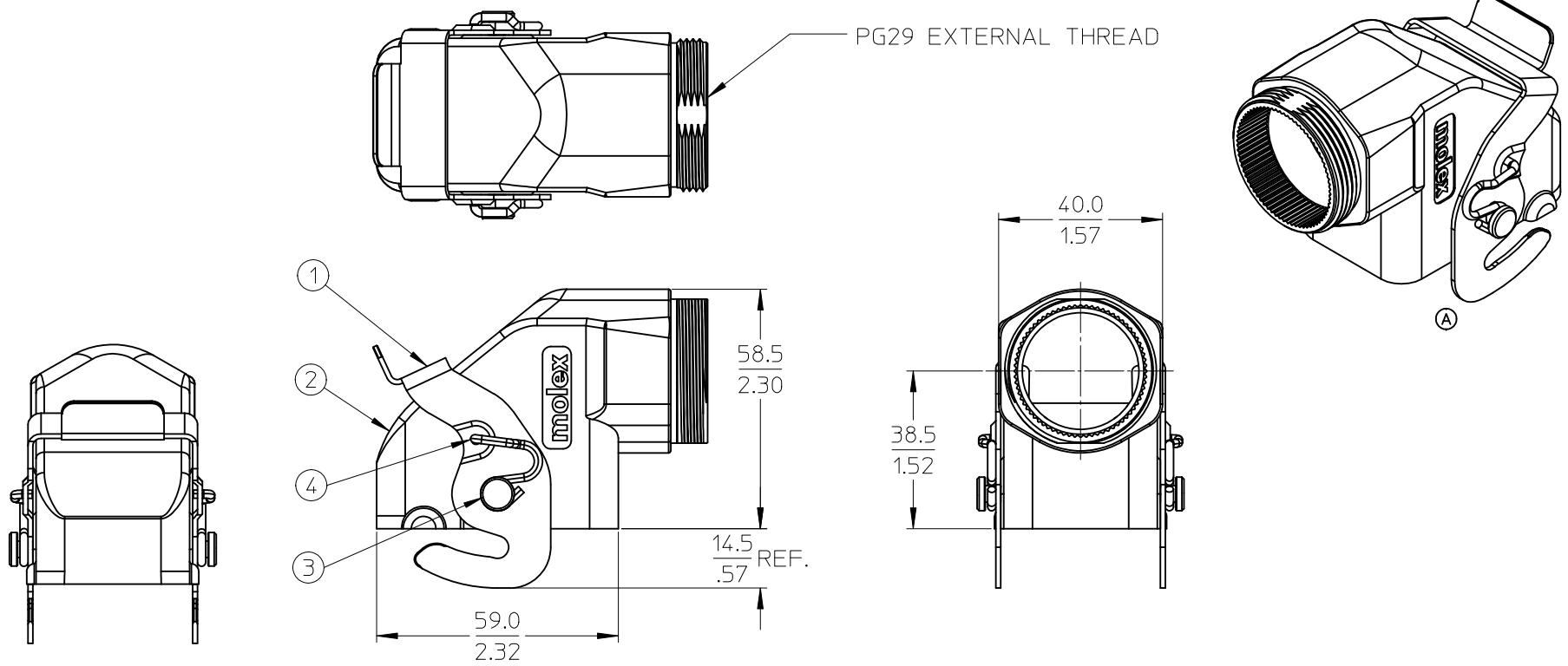
500811Series

Mates With

500810-0000 , 500810-0010

This document was generated on 05/18/2010

PLEASE CHECK WWW.MOLEX.COM FOR LATEST PART INFORMATION



NOTES:
 APPLICABLE PLUG SHELL ASS'Y
 1. TYPE A: 500810-0000
 2. TYPE B: 500810-0010
 APPLICABLE END BELL CAP SET
 58550-****

NO.	PART NAME	QTY.	MATERIAL	FINISH
①	LEVER	1	STEEL	PAINT
②	PLUG COVER	1	ALUMINUM ALLOY	---
③	COVER LOCKING PIN	2	STAINLESS STEEL	---
④	LEVER SPRING	2	STAINLESS STEEL	---

UPDATE LOGO POSITION
 EC NO: WNA2010-0309
 DR: WINGLEUNG
 CHKD: JFMURPHY
 APPR: JFMURPHY

2009/11/02
 2010/01/14
 2010/01/14

DESCRIPTION
 A

QUALITY SYMBOLS
 ▽=0
 ▽=0

GENERAL TOLERANCES (UNLESS SPECIFIED)

	mm	INCH
4 PLACES	± .005	± .0002
3 PLACES	± .005	± .0002
2 PLACES	± .012	± .0005
1 PLACE	± 0.3	± .012

ANGULAR ± 3°

DRAFT WHERE APPLICABLE
 MUST REMAIN WITHIN DIMENSIONS

DIMENSION STYLE
 MM/IN

DRAWN BY DATE
 TMOELLER 2009/04/28

CHECKED BY DATE
 RDEROSS 2009/04/28

APPROVED BY DATE
 JFMURPHY 2010/01/14

MATERIAL NO.
 5008111010

SIZE
 C

SCALE
 NTS

DESIGN UNITS
 METRIC

THIRD ANGLE PROJECTION

TITLE
 40P MINI HMC ASSEMBLY
 PLUG COVER RIGHT ANGLE

MOLEX INCORPORATED

DOCUMENT NO.
 SD-500811-002

SHEET NO.
 1 OF 1

THIS DRAWING CONTAINS INFORMATION THAT IS PROPRIETARY TO MOLEX INCORPORATED AND SHOULD NOT BE USED WITHOUT WRITTEN PERMISSION