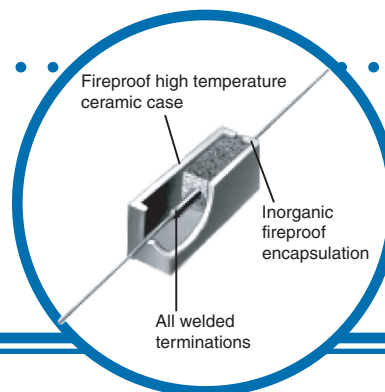


Extremely Low Resistance Power Wirewounds



LPW Series

- 3 watts to 15 watts
- 0.005 ohm to 0.15 ohm
- $\pm 1\%$, ± 2 , ± 3 , ± 5 , $\pm 10\%$ tolerance
- TC's from 30 ppm/ $^{\circ}\text{C}$ to +500 ppm/ $^{\circ}\text{C}$ (range dependant)



Electrical Data

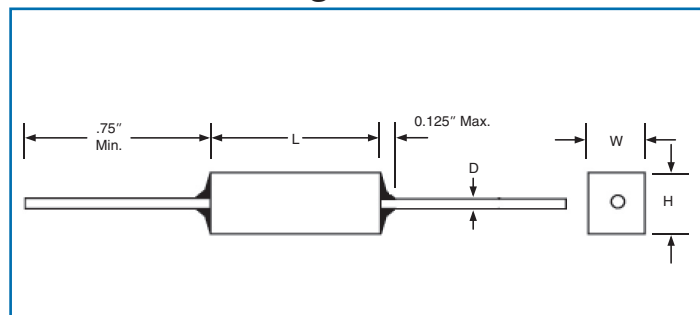
IRC Type	Power @ 25°C (watts)	Resistance Range (ohms)
LPW-3	3	.005 TO .15
LPW-5	5	.005 TO .15
LPW-7	7	.01 TO .15
LPW-10	10	.01 TO .15
LPW-15	15	.01 TO .15

-Inductance less than 10 nanohenries

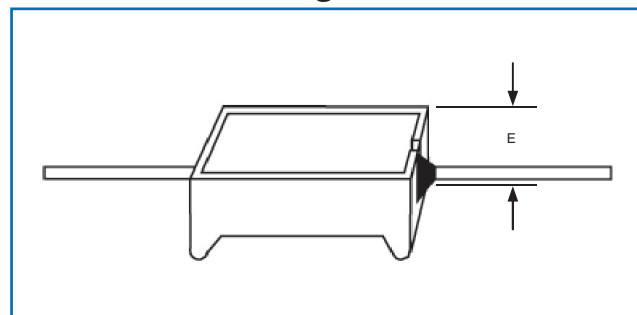
NOTE: Standard test points for LPW-3 and LPW-5 are 1.75 in. (44.45mm); test points for LPW-7, LPW-10, LPW-15 are 2.500 in. (63.50mm). Consult factory for application.

Please note: When ordering the alternate configuration please add an "A" after the part number. (LPW-3A)

Standard Configuration



Alternate Configuration



Dimensions (Inches (mm))

IRC Type	L ± 0.063 (1.6)	W ± 0.03 (.8)	H ± 0.03 (.8)	D - Diameter ± 0.002 (.05)	E ± 0.03 (.8)
LPW-3	.88 (22.4)	.31 (7.87)	.31 (7.87)	.040	.38 (9.65)
LPW-5	.88 (22.4)	.38 (9.65)	.35 (8.89)	.040	.41 (10.4)
LPW-7	1.39 (35.3)	.38 (9.65)	.35 (8.89)	.040	.47 (11.9)
LPW-10	1.88 (47.8)	.38 (9.65)	.35 (8.89)	.040	.47 (11.9)
LPW-15	1.88 (47.8)	.50 (12.7)	.50 (12.7)	.040	.63 (16.0)

General Note

IRC reserves the right to make changes in product specification without notice or liability. All information is subject to IRC's own data and is considered accurate at time of going to print.

Wire and Film Technologies Division • 4222 South Staples Street • Corpus Christi Texas 78411 USA
Telephone: 361 992 7900 • Facsimile: 361 992 3377 • Website: www.irctt.com



A subsidiary of
TT electronics plc

Extremely Low Resistance Power Wirewounds



Ordering Data

