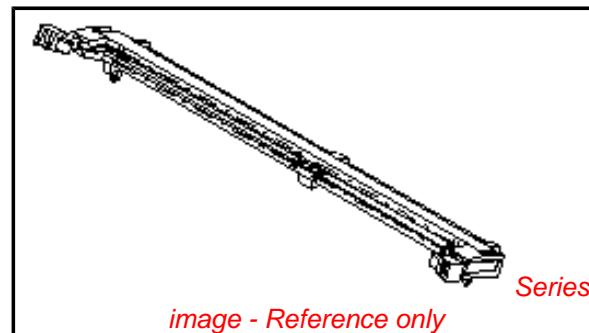


PLEASE CHECK WWW.MOLEX.COM FOR LATEST PART INFORMATION

Part Number: [0876391010](#)
Status: **Active**
Description: 1.27mm (.050") Pitch DDR DIMM Socket, Reverse Footprint, 25° Angle, Low Profile, Single Key, with Beveled Metal Pins and Plastic Pegs, 3.18mm (.125") Tail Length, 0.38µm (15µ") Gold (Au) Plating, 184 Circuits, Leadfree

Documents:

[3D Model](#) [Product Specification PS-87639-002 \(PDF\)](#)
[Drawing \(PDF\)](#) [RoHS Certificate of Compliance \(PDF\)](#)



General

Product Family	Memory Module Sockets
Series	87639
Component Type	Memory Module
JEDEC Outline	MO-206
Product Name	DDR DIMM

Physical

Circuits (Loaded)	184
Color - Resin	Black, Natural
Durability (mating cycles max)	25
Entry Angle	25° Angle
Keying to Mating Part	Yes
Material - Metal	Brass, Phosphor Bronze
Material - Plating Mating	Gold
Material - Plating Termination	Tin
Material - Resin	High Temperature Thermoplastic
PC Tail Length (in)	0.125 In
PC Tail Length (mm)	3.18 mm
PCB Locator	Yes
PCB Retention	Yes
PCB Thickness Recommended (in)	0.062 In
PCB Thickness Recommended (mm)	1.60 mm
Packaging Type	Tray
Pitch - Mating Interface (in)	0.050 In
Pitch - Mating Interface (mm)	1.27 mm
Plating min: Mating (µin)	15.2
Plating min: Mating (µm)	0.38
Plating min: Termination (µin)	101.6
Plating min: Termination (µm)	2.54
Temperature Range - Operating	-40°C to +85°C
Termination Interface: Style	Through Hole

Electrical

Current - Maximum per Contact	1A
Voltage - Maximum	50V
Voltage Key	2.5V, Right

Solder Process Data

Duration at Max. Process Temperature (seconds)	10
Lead-free Process Capability	Wave Capable (TH only)
Max. Cycles at Max. Process Temperature	2
Process Temperature max. C	240

Material Info

Reference - Drawing Numbers

EU RoHS

**ELV and RoHS
Compliant**
REACH SVHC
 Not Reviewed
**Halogen-Free
Status**
 Not Reviewed

China RoHS



**Need more information on product
environmental compliance?**

Email productcompliance@molex.com
 For a multiple part number RoHS Certificate of Compliance, [click here](#)

Please visit the [Contact Us](#) section for any non-product compliance questions.

Search Parts in this Series

[87639Series](#)

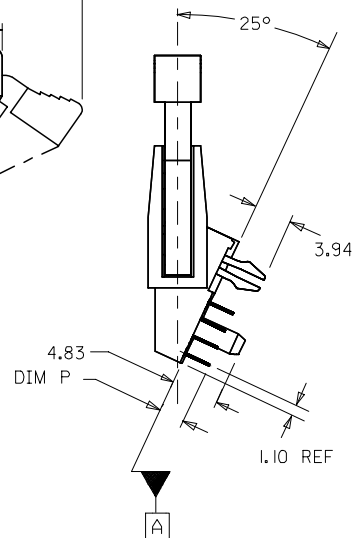
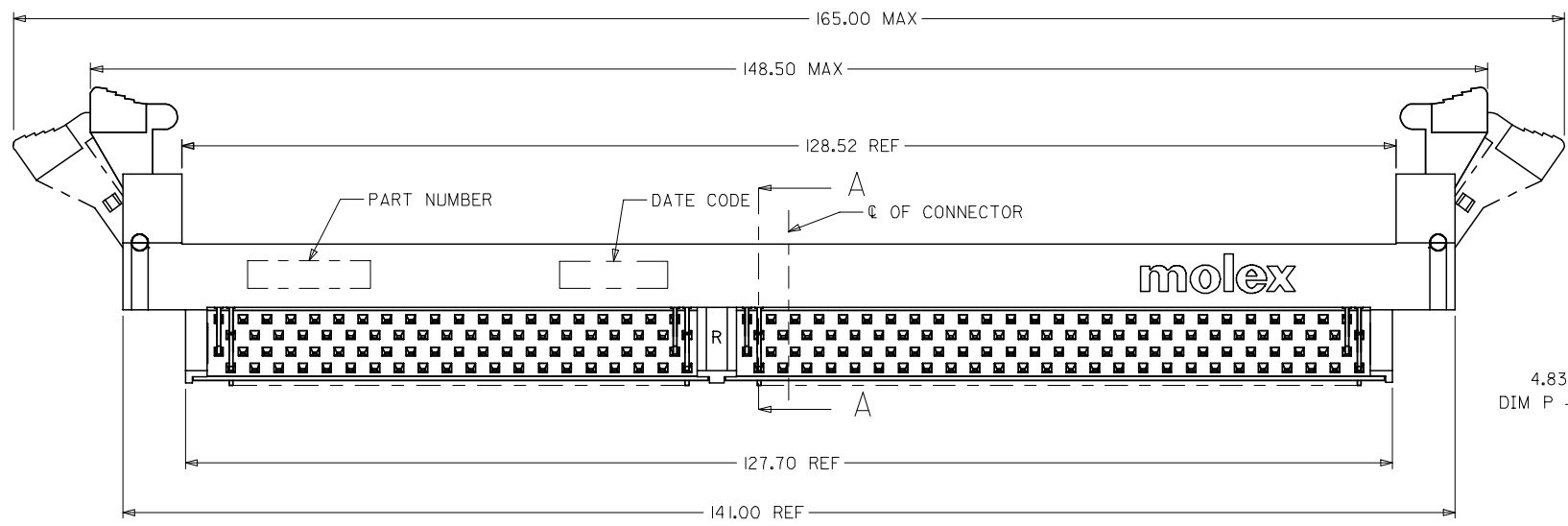
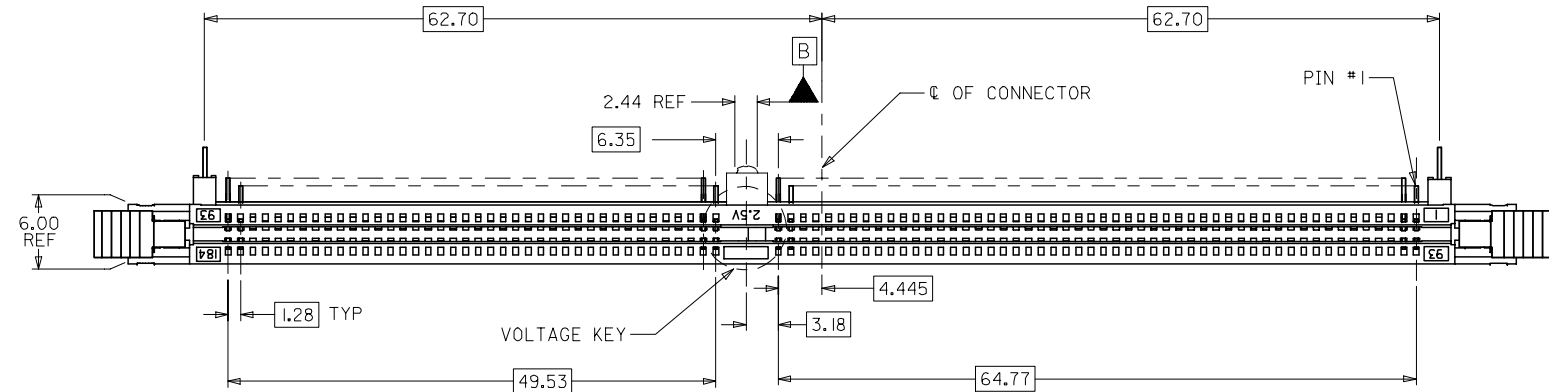
Mates With

[JEDEC MO-206 modules](#)

This document was generated on 04/09/2010

PLEASE CHECK WWW.MOLEX.COM FOR LATEST PART INFORMATION

10 9 8 7 6 5 4 3 2 1



- NOTES:
- MATERIALS: HOUSING - LCP, GLASS FILLED, UL 94V-0, COLOR: BLACK
LATCHES - HIGH TEMP NYLON, GLASS FILLED, UL 94V-0
TERMINAL AND FORKLOCK - COPPER ALLOY
 - FINISHES: CONTACT AREA: SEE TABLE ON SHEET 5
SOLDDERTAILS: 2.54um/100u" MIN. TIN
OVER 1.27um/50u" MIN NICKEL
 - PRODUCT SPECIFICATIONS: PS-87639-002 FOR PERFORMANCE SPECIFICATIONS.
 - DATE CODE SHALL BE MARKED LEGIBLY AS SHOWN: XX XX
YEAR WEEK
 - PART NUMBER SHALL BE MARKED LEGIBLY AS SHOWN: 87639-0XXX
REFER TO TABLE

OBS TIN/LEAD P/N	EC NO: S2006-0746	2006/02/27	QUALITY SYMBOLS
	DRWN:HLONG	2006/02/28	
REV	CHKD:HO	2006/02/28	▽=0
	APPR:GJLEE	2006/02/28	∇=0
DESCRIPTION	GENERAL TOLERANCES (UNLESS SPECIFIED)		

GENERAL TOLERANCES (UNLESS SPECIFIED)	
	ANGULAR ± 5 °
4 PLACES	± ---
3 PLACES	± ---
2 PLACES	± 0.25
1 PLACE	± ---

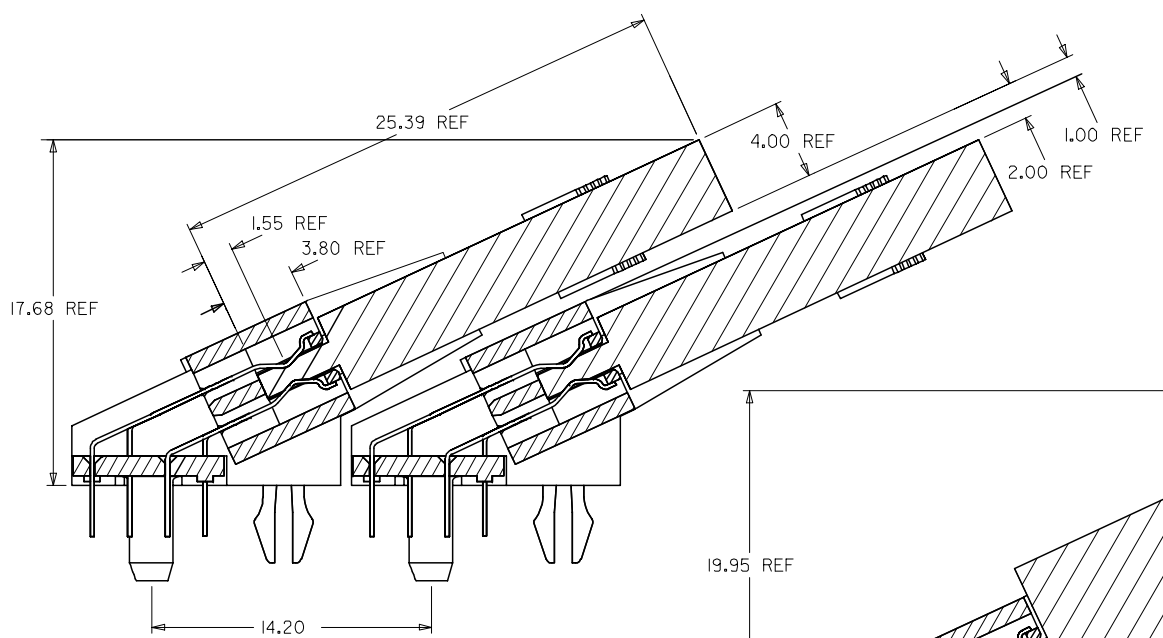
DIMENSION STYLE	
MM ONLY	
DRAWN BY	DATE
LPLIM	2000/05/31
CHECKED BY	DATE
DSOH	2000/07/07
APPROVED BY	DATE
SKTOH	2000/07/07
MATERIAL NO.	SEE TABLE

SCALE	DESIGN UNITS	THIRD ANGLE PROJECTION
NTS	METRIC	
TITLE		
DDR DIMM, 1.27MM PITCH		
184 CKTS, 25 DEG REVERSE		
1.91MM ROW TO ROW		
MOLEX INCORPORATED		
DOCUMENT NO.	SHEET NO.	
SD-87639-001	1 OF 5	
THIS DRAWING CONTAINS INFORMATION THAT IS PROPRIETARY TO MOLEX INCORPORATED AND SHOULD NOT BE USED WITHOUT WRITTEN PERMISSION		

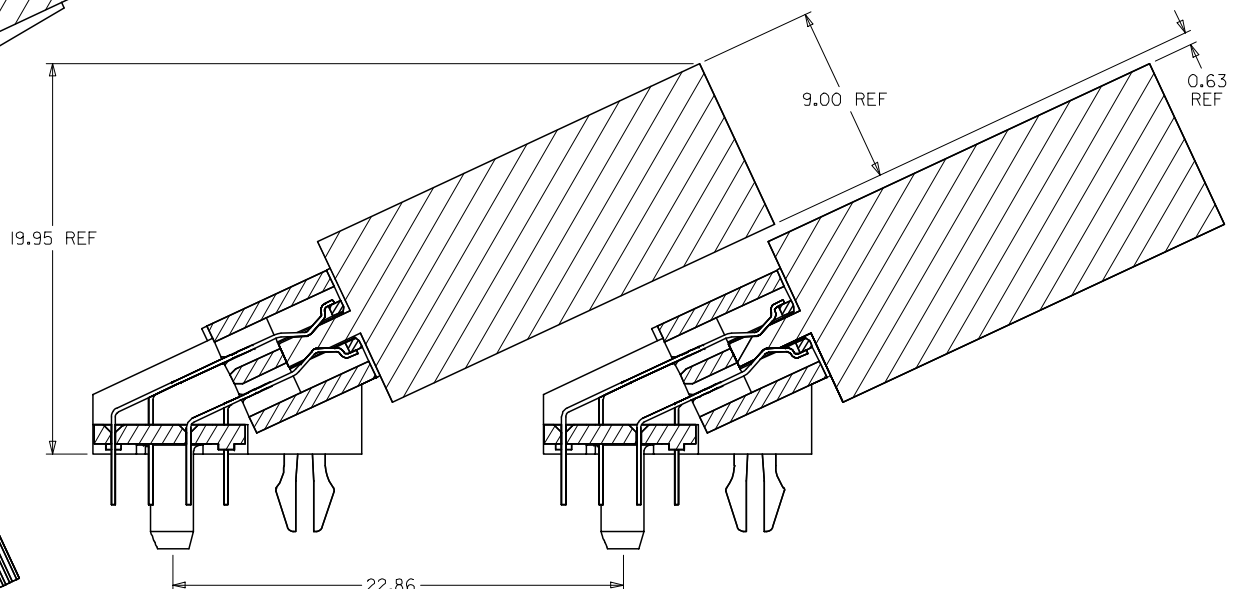
9 8 7 6 5 4 3 2 1

10 9 8 7 6 5 4 3 2 1

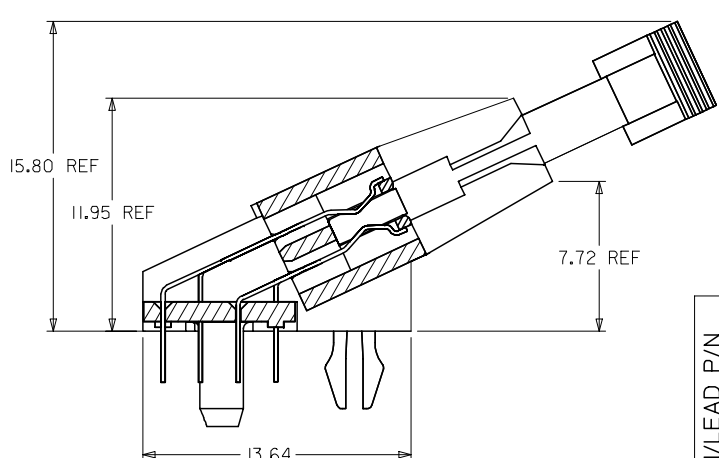
F
E
D
C
B
A



MINIMUM RECOMMENDED ROW TO ROW SPACING
WHEN USING A 4.00 mm THICK
MODULE (TYPICAL TSOP PACKAGING)



MINIMUM RECOMMENDED ROW TO ROW SPACING
WHEN USING A 9.00 mm THICK
MODULE (TYPICAL SOJ PACKAGING)



SECTION A-A

OBS TIN/LEAD P/N
EC NO: S2006-0746
DRWN:MLONG
CHKD:IHO
APPR:GJLEE

2006/02/27
2006/02/28
2006/02/28

QUALITY SYMBOLS	GENERAL TOLERANCES (UNLESS SPECIFIED)	
▽=0	mm	INCH
▽C=0	4 PLACES ± ---	± ---
	3 PLACES ± ---	± ---
	2 PLACES ± 0.25	± ---
	1 PLACE ± ---	± ---
	ANGULAR ± 5 °	
	DRAFT WHERE APPLICABLE MUST REMAIN WITHIN DIMENSIONS	

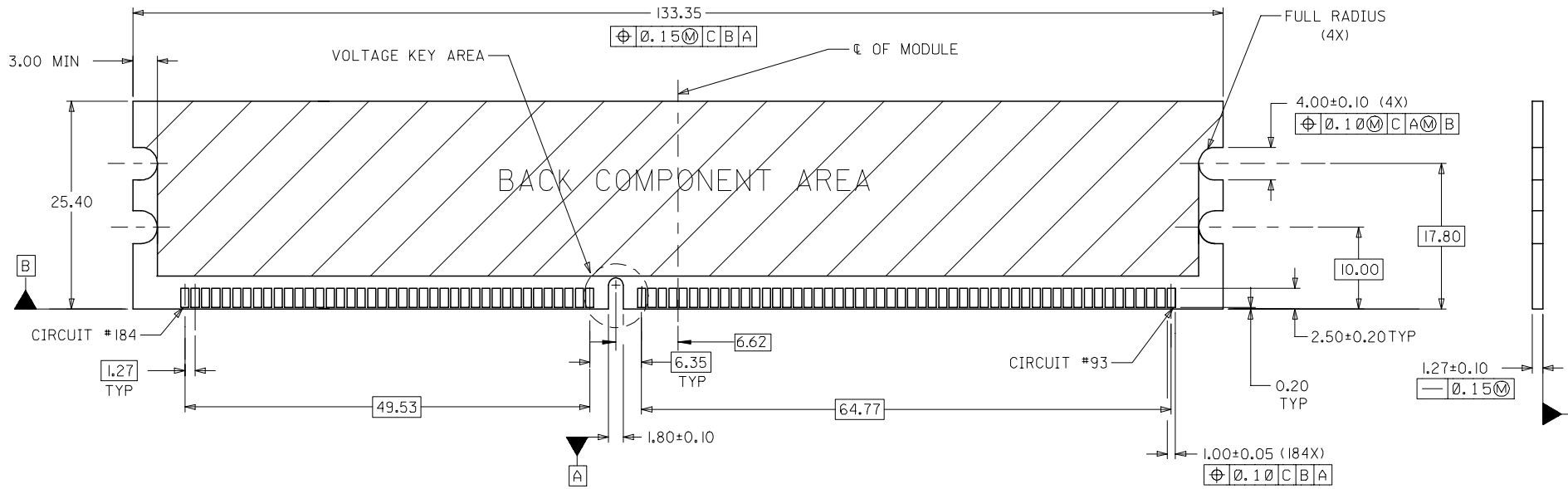
DIMENSION STYLE MM ONLY	
DRAWN BY LPL IM	DATE 2000/05/31
CHECKED BY DSOH	DATE 2000/07/07
APPROVED BY SKTOH	DATE 2000/07/07
MATERIAL NO. SEE TABLE	

SCALE NTS	DESIGN UNITS METRIC	THIRD ANGLE PROJECTION
TITLE DDR DIMM, 1.27MM PITCH 184 CKTS, 25 DEG REVERSE 1.91MM ROW TO ROW		
MOLEX INCORPORATED		
DOCUMENT NO. SD-87639-001	SHEET NO. 2 OF 5	

9 8 7 6 5 4 3 2 1

10 9 8 7 6 5 4 3 2 1

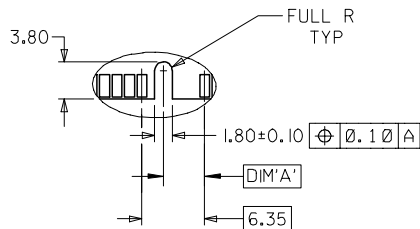
F
E
D
C
B
A



RECOMMENDED MODULE LAYOUT
 (PER JEDEC STANDARD MO-206, 184 CKT.)
 UNLESS OTHERWISE SPECIFIED, GENERAL TOLERANCE FOR MODULE = ±0.13

VOLTAGE KEY AREA

VOLTAGE KEY	DIM 'A'
2.5V	4.175



OBS	TIN/LEAD P/N
EC NO:	S2006-0746
DRWN:	MLONG
CHKD:	IHO
APPR:	GGLEE
REV	DESCRIPTION

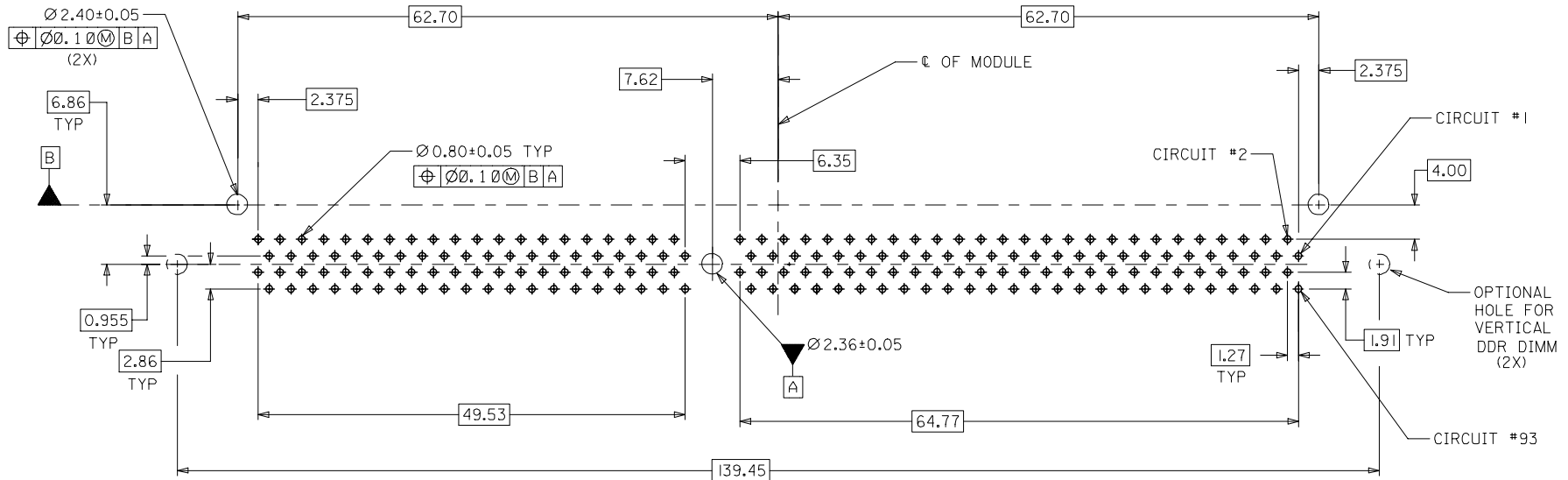
QUALITY SYMBOLS	▽=0
	∇=0

GENERAL TOLERANCES (UNLESS SPECIFIED)	mm	INCH
4 PLACES	± ---	± ---
3 PLACES	± ---	± ---
2 PLACES	± 0.25	± ---
1 PLACE	± ---	± ---
ANGULAR ± 5 °		
DRAFT WHERE APPLICABLE MUST REMAIN WITHIN DIMENSIONS		

DIMENSION STYLE		SCALE	DESIGN UNITS	THIRD ANGLE PROJECTION
MM ONLY		NTS	METRIC	
DRAWN BY	DATE	TITLE		
LPL IM	2000/05/31	DDR DIMM, 1.27MM PITCH		
CHECKED BY	DATE	184 CKTS, 25 DEG REVERSE		
DSOH	2000/07/07	1.91MM ROW TO ROW		
APPROVED BY	DATE	MOLEX INCORPORATED		
SKTOH	2000/07/07	MATERIAL NO.		
SEE TABLE		DOCUMENT NO.		SHEET NO.
SIZE A3		SD-87639-001		3 OF 5

DRAWN BY		DATE	TITLE	
LPL IM		2000/05/31	DDR DIMM, 1.27MM PITCH	
CHECKED BY		DATE	184 CKTS, 25 DEG REVERSE	
DSOH		2000/07/07	1.91MM ROW TO ROW	
APPROVED BY		DATE	MOLEX INCORPORATED	
SKTOH		2000/07/07	MATERIAL NO.	
SEE TABLE		DOCUMENT NO.		SHEET NO.
SIZE A3		SD-87639-001		3 OF 5

9 8 7 6 5 4 3 2 1



RECOMMENDED P.C. BOARD
HOLE PATTERN (CONNECTOR SIDE)

OBS TIN/LEAD P/N EC NO: S2006-0746 2006/02/27 DRWN:MLONG 2006/02/28 CHKD:HO 2006/02/28 APPR:GGLLEE	QUALITY SYMBOLS ▽=0 ∇=0	GENERAL TOLERANCES (UNLESS SPECIFIED)		DIMENSION STYLE MM ONLY	SCALE NTS	DESIGN UNITS METRIC	THIRD ANGLE PROJECTION		
		4 PLACES ± ---	± ---	mm	INCH	DRAWN BY LPL IM	DATE 2000/05/31	TITLE DDR DIMM, 1.27MM PITCH 184 CKTS, 25 DEG REVERSE 1.91MM ROW TO ROW	
REV C	DESCRIPTION	3 PLACES ± ---	± ---	APPROVED BY DSOH		DATE 2000/07/07		MATERIAL NO. SKT0H	
		2 PLACES ± 0.25	± ---	APPROVED BY SKT0H		DATE 2000/07/07		DOCUMENT NO. SD-87639-001	
		1 PLACE ± ---	± ---	ANGULAR ± 5 °		MOLEX INCORPORATED		SHEET NO. 4 OF 5	
DRAFT WHERE APPLICABLE MUST REMAIN WITHIN DIMENSIONS		SEE TABLE		THIS DRAWING CONTAINS INFORMATION THAT IS PROPRIETARY TO MOLEX INCORPORATED AND SHOULD NOT BE USED WITHOUT WRITTEN PERMISSION					

10 9 8 7 6 5 4 3 2 1

MATERIAL NO.	VOLTAGE KEY	TAIL LENGTH P±0.25	RECOMMENDED PCB THICKNESS	FINISHES: CONTACT AREA
87639-1001	RIGHT (2.5V)	2.79	1.57	SELECTIVE GOLD 0.38µM/15µ" MIN. GOLD OVER 1.27µM/50µ" MIN. NICKEL
87639-1010		3.18		
87639-1011		3.56		
87639-1100		2.79		SELECTIVE GOLD 0.76µM/30µ" MIN. GOLD OVER 1.27µM/50µ" MIN. NICKEL
87639-1110		3.18		

F

F

E

E

D

D

C

C

B

B

A

A

OBS TIN/LEAD P/N EC NO: S2006-0746 DRWN:MLONG CHKD:HO APPR:GJLEE	2006/02/27 2006/02/28 2006/02/28	QUALITY SYMBOLS ▽=0 ◻=0	GENERAL TOLERANCES (UNLESS SPECIFIED)		DIMENSION STYLE MM ONLY		SCALE NTS	DESIGN UNITS METRIC	THIRD ANGLE PROJECTION		
			4 PLACES ± --- ± ---	mm INCH	DRAWN BY LPL IM	DATE 2000/05/31	TITLE DDR DIMM, 1.27MM PITCH 184 CKTS, 25 DEG REVERSE 1.91MM ROW TO ROW				
			3 PLACES ± --- ± ---		CHECKED BY DS0H	DATE 2000/07/07					
			2 PLACES ± 0.25 ± ---		APPROVED BY SKT0H	DATE 2000/07/07	MOLEX INCORPORATED				
			1 PLACE ± --- ± ---		MATERIAL NO. SEE TABLE						DOCUMENT NO. SD-87639-001
			ANGULAR ± 5 °		DRAFT WHERE APPLICABLE MUST REMAIN WITHIN DIMENSIONS		THIS DRAWING CONTAINS INFORMATION THAT IS PROPRIETARY TO MOLEX INCORPORATED AND SHOULD NOT BE USED WITHOUT WRITTEN PERMISSION				

9 8 7 6 5 4 3 2 1