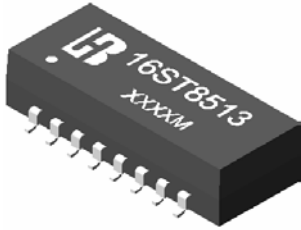


10/100 BASE LAN INTERFACE MODULE

P/N: 16ST8513 DATA SHEET

Feature

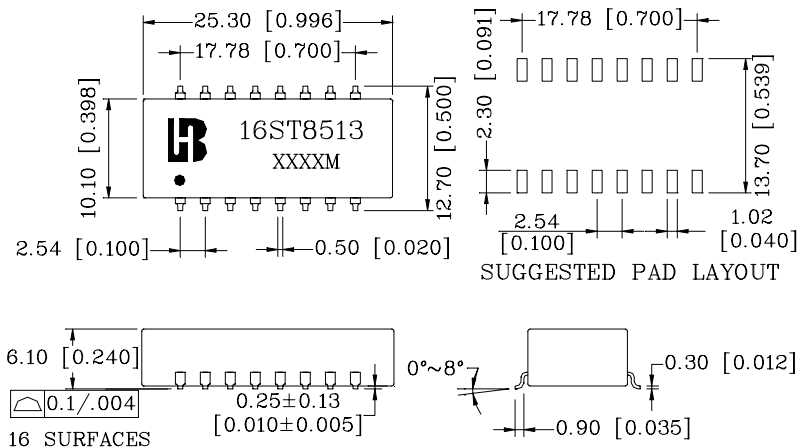
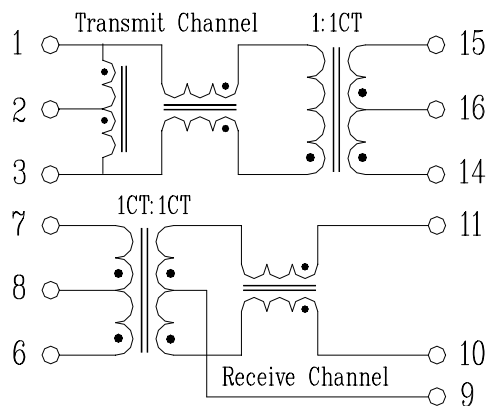


- Guarantee to operate with 8mA DC Bias @70°.
- Complies with or exceeds IEEE802.3•10BT/100BX Standards.
- Operating temperature range:0°C to +70°C.
- Storage temperature range:-25°C to +125°C.

Electrical Specifications @ 25°C											
Part Number	Turns Ratio (±5%)		OCL(uH Min) @100KHz/0.1Vrms with 8mA/DC Bias	C _{www} (pF Max)	L.L (uH Max)	Rise Time 10%-90% (nS TYP)	Isolation Voltage (Vrms)				
	RX	TX									
16ST8513	1CT:1CT	1:1CT	350	28	0.6	3	1500				
Continue											
Part Number	Insertion Loss (dB Max)	Return Loss (dB Min)					Cross talk (dB TYP)		DCMR TX/RX(dB Min)		
		0.3-100 MHz	30MHz	40MHz	50MHz	60MHz	80MHz	0.3-60MHz	60-100MHz	30MHz	60MHz
16ST8513	-1.15	-16	-14	-13.5	-13	-12	-45	-35	-42	-35	-28

Schematic

Mechanical



Units: mm[Inches] Tolerances: xx.x0±0.25[0.010]
0.xx±0.05[0.002]