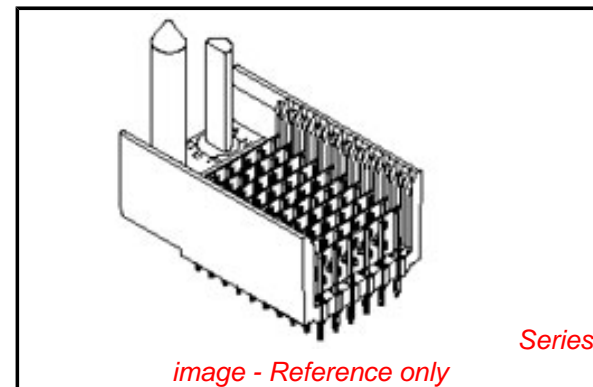


**PLEASE CHECK WWW.MOLEX.COM FOR LATEST PART INFORMATION**

**Part Number:** [0761369001](#)  
**Status:** **Active**  
**Overview:** [vhdm\\_h](#)  
**Description:** 2.00mm (.079") Pitch VHDM® H Board-to-Board Backplane Header, Vertical, 8-Row, Guide Pin, Shield End Module, Open End Version, 200 Circuits, Pin Length 4.75mm (.187"),Lead Free

**Documents:**

[Drawing \(PDF\)](#) [RoHS Certificate of Compliance \(PDF\)](#)  
[Product Specification PS-74031-999 \(PDF\)](#)



**General**

Product Family	Backplane Connectors
Series	<a href="#">76136</a>
Application	Backplane
Comments	No Keying Position
Component Type	PCB Header
Overview	<a href="#">vhdm_h</a>
Product Name	VHDM® - H Series
Style	N/A

**Physical**

Circuits (Loaded)	80
Circuits (maximum)	80
Color - Resin	Black
Durability (mating cycles max)	200
First Mate / Last Break	No
Guide to Mating Part	Yes
Keying to Mating Part	None
Material - Metal	Copper Alloy
Material - Plating Mating	Gold
Material - Plating Termination	Tin
Material - Resin	High Temperature Thermoplastic
Number of Columns	10
Number of Pairs	Open Pin Field
Number of Rows	8
Orientation	Vertical
PC Tail Length (in)	0.072 In
PC Tail Length (mm)	1.83 mm
PCB Locator	No
PCB Retention	None
PCB Thickness Recommended (in)	0.072 In
PCB Thickness Recommended (mm)	1.83 mm
Packaging Type	Tube
Pitch - Mating Interface (in)	0.079 In
Pitch - Mating Interface (mm)	2.00 mm
Pitch - Term. Interface (in)	0.089 In
Pitch - Term. Interface (mm)	2.25 mm
Plating min: Mating (µin)	30
Plating min: Mating (µm)	0.75
Plating min: Termination (µin)	30
Plating min: Termination (µm)	0.75
Polarized to PCB	Yes
Stackable	No
Surface Mount Compatible (SMC)	Yes
Temperature Range - Operating	-55°C to +85°C

**EU RoHS**

**ELV and RoHS Compliant**  
**REACH SVHC**  
 Not Reviewed  
**Halogen-Free Status**  
 Not Reviewed

**China RoHS**



**Need more information on product environmental compliance?**

Email [productcompliance@molex.com](mailto:productcompliance@molex.com)  
 For a multiple part number RoHS Certificate of Compliance, [click here](#)

Please visit the [Contact Us](#) section for any non-product compliance questions.

**Search Parts in this Series**

[76136Series](#)

**Application Tooling | [FAQ](#)**

*Tooling specifications and manuals are found by selecting the products below. Crimp Height Specifications are then contained in the Application Tooling Specification document.*

**Global**

Description	Product #
VHDM® Signal Pin	<a href="#">0622015700</a>
Insertor Repair Tool	
VHDM® 8 Row Pin and Shield Repair Tool	<a href="#">0622015900</a>
VHDM® 8 Row Shield Extraction Tool	<a href="#">0622016100</a>
VHDM® Insertion Module for Standard Shield Signal Header, 8 Row by	<a href="#">0622020209</a>

Termination Interface: Style

Through Hole - Compliant Pin

10 Wide, 20.00mm  
(.787")

### Electrical

Current - Maximum per Contact

1A

Data Rate

6.25 Gbps

Real Signals (per 25mm)

75

Shield Type

Ground Plane Shield

Shielded

Yes

Voltage - Maximum

120V AC (RMS)/DC

### Material Info

#### Reference - Drawing Numbers

Packaging Specification

PK-74061-003

Product Specification

PS-74031-999

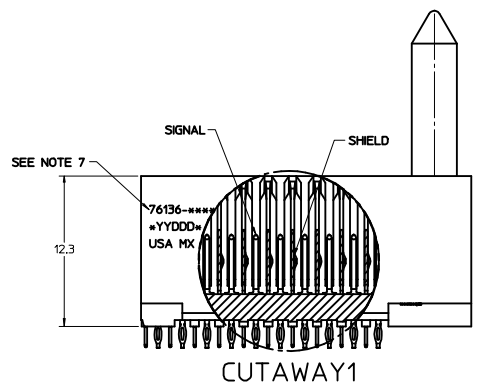
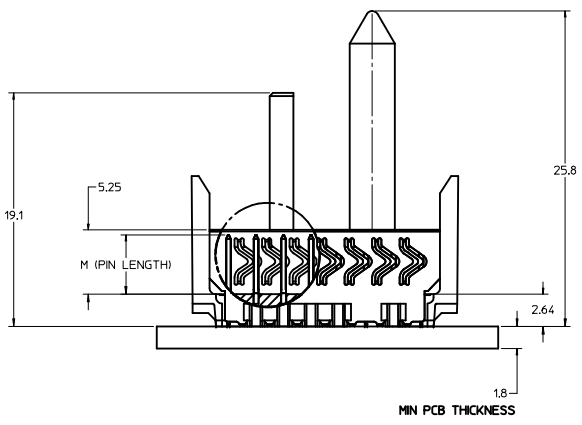
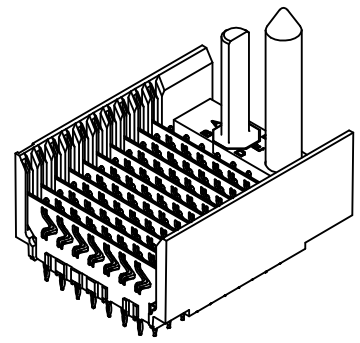
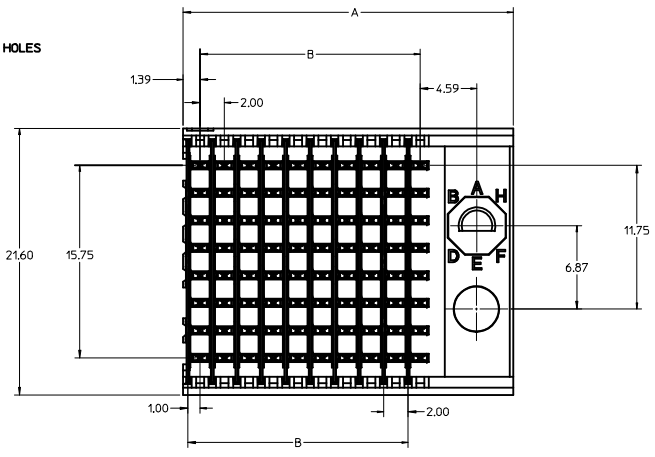
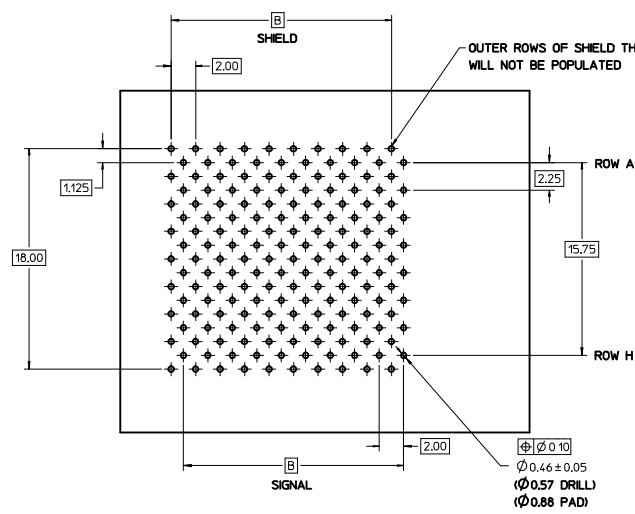
Sales Drawing

SD-76136-001

VHDM and Very High Density Metric are trademarks of Amphenol Corporation

This document was generated on 05/27/2010

**PLEASE CHECK [WWW.MOLEX.COM](http://WWW.MOLEX.COM) FOR LATEST PART INFORMATION**



- NOTES:
1. MATERIALS:  
HOUSING - LIQUID CRYSTAL POLYMER (LCP)  
GLASS FILLED, UL94V-0, BLACK  
SIGNAL PIN AND SHIELD - COPPER ALLOY
  2. FINISHES:  
CONTACT AREA - SELECTIVE GOLD (Au)  
PCB TAILS - SELECTIVE TIN/LEAD (SnPb) OR MATTE TIN (Sn)
  3. THIS PART CONFORMS TO MOLEX PRODUCT SPECIFICATION PS-74031-999.
  4. FOR MIXED CONTACT LENGTH CONTACT MOLEX FOR AVAILABILITY.
  5. FOR SPECIFIC MATERIAL NUMBERS AND MATING INFORMATION REFER TO SHEET 2.
  6. PACKAGE PER PK-74061-003.
  7. ASSEMBLY WILL BE MARKED WITH P/N AND DATE CODE WITH LASER MARK ON SIDE OF HOUSING OR BY LABEL ON THE TUBE.

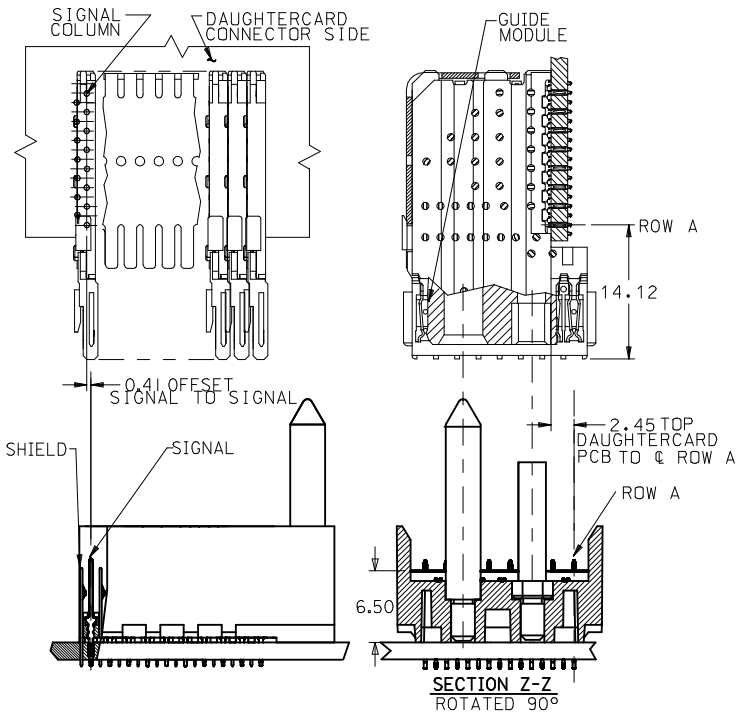
INITIAL RELEASE EC NO. UCP2008-2748 DRAWN: JONI AK 2008/12/01 CHYK: JONI AK 2008/12/02 APPR: JLAURY 2008/12/03	QUALITY SYMBOLS	GENERAL TOLERANCES (UNLESS SPECIFIED)	DIMENSION STYLE	SCALE	DESIGN UNITS	THIRD ANGLE PROJECTION
	=0 =0	mm INCH 4 PLACES ± --- ± --- 3 PLACES ± --- ± --- 2 PLACES ± 0.15 ± --- 1 PLACE ± 0.25 ± --- ANGULAR ± 1/2°	MM ONLY	5:1	METRIC	DRAWN BY DATE JONI AK 2008/04/11 CHECKED BY DATE BINGHAM 2008/04/11 APPROVED BY DATE BINGHAM 2008/04/11
DRAFT WHERE APPLICABLE MUST REMAIN WITHIN DIMENSIONS		MATERIAL NO. SEE PAGE 2		DOCUMENT NO. SD-76136-001		TITLE VHDM H-SERIES 8 ROW SHIELD END BACKPLANE SALES DRAWING MOLEX INCORPORATED SHEET NO. 1 OF 2

M/N 76136-( )	---0*	---1*	---2*	---3*	---4*	---5*	---6*	---7*	---8*
KEYING PIN ORIENTATION									

76136 - \* \* \* \*

NUMBER OF COLUMNS/PLATING  
 10 = 10 COLUMN TIN/LEAD  
 25 = 25 COLUMN TIN/LEAD  
 90 = 10 COLUMN MATTE TIN  
 85 = 25 COLUMN MATTE TIN

CONTACT LOAD  
 (PIN LENGTH)  
 1 & 6 = 4.75  
 2 & 7 = 6.25  
 3 & 8 = 4.25  
 4 & 9 = 5.15



PART NUMBER	COLUMN	NUMBER OF SIGNAL PIN	NUMBER OF SHIELD	A	B	M	Au (um) THICKNESS	Sn (um) THICKNESS
76136-#0*1	10	80	10	27.00	18.00	4.75	0.76	0.76-1.52
76136-#0*6							1.27	
76136-#5*1	25	200	25	57.00	48.00	6.25	0.76	
76136-#5*6							1.27	
76136-#0*2	10	80	10	27.00	18.00	4.25	0.76	
76136-#0*7							1.27	
76136-#5*2	25	200	25	57.00	48.00	5.15	0.76	
76136-#5*7							1.27	
76136-#0*3	10	80	10	27.00	18.00		0.76	
76136-#0*8							1.27	
76136-#5*3	25	200	25	57.00	48.00		0.76	
76136-#5*8							1.27	
76136-#0*4	10	80	10	27.00	18.00		0.76	
76136-#0*9							1.27	
76136-#5*4	25	200	25	57.00	48.00		0.76	
76136-#5*9							1.27	

INITIAL RELEASE EC NO: UCP2008-2748 DRWN: JONIAK 2008/12/01 CHKD: JONIAK 2008/12/02 APPR: JLAURX 2008/12/03	QUALITY SYMBOLS	GENERAL TOLERANCES (UNLESS SPECIFIED)	DIMENSION STYLE MM ONLY	SCALE 1:1	DESIGN UNITS METRIC	THIRD ANGLE PROJECTION																																	
	$\nabla=0$ $\nabla=0$	<table border="1"> <tr> <th></th> <th>mm</th> <th>INCH</th> </tr> <tr> <td>4 PLACES</td> <td>± .005</td> <td>± .0004</td> </tr> <tr> <td>3 PLACES</td> <td>± .005</td> <td>± .0004</td> </tr> <tr> <td>2 PLACES</td> <td>± 0.15</td> <td>± .006</td> </tr> <tr> <td>1 PLACE</td> <td>± 0.25</td> <td>± .010</td> </tr> </table>		mm	INCH	4 PLACES	± .005	± .0004	3 PLACES	± .005	± .0004	2 PLACES	± 0.15	± .006	1 PLACE	± 0.25	± .010	<table border="1"> <tr> <th>DRAWN BY</th> <th>DATE</th> <th>TITLE</th> </tr> <tr> <td>JONIAK</td> <td>2008/04/11</td> <td>VHDM H-SERIES 8 ROW SHIELD END BACKPLANE SALES DRAWING</td> </tr> <tr> <th>CHECKED BY</th> <th>DATE</th> <th></th> </tr> <tr> <td>BINGHAM</td> <td>2008/04/11</td> <td></td> </tr> <tr> <th>APPROVED BY</th> <th>DATE</th> <th></th> </tr> <tr> <td>BINGHAM</td> <td>2008/04/11</td> <td></td> </tr> </table>	DRAWN BY	DATE	TITLE	JONIAK	2008/04/11	VHDM H-SERIES 8 ROW SHIELD END BACKPLANE SALES DRAWING	CHECKED BY	DATE		BINGHAM	2008/04/11		APPROVED BY	DATE		BINGHAM	2008/04/11		MOLEX INCORPORATED		
		mm	INCH																																				
	4 PLACES	± .005	± .0004																																				
3 PLACES	± .005	± .0004																																					
2 PLACES	± 0.15	± .006																																					
1 PLACE	± 0.25	± .010																																					
DRAWN BY	DATE	TITLE																																					
JONIAK	2008/04/11	VHDM H-SERIES 8 ROW SHIELD END BACKPLANE SALES DRAWING																																					
CHECKED BY	DATE																																						
BINGHAM	2008/04/11																																						
APPROVED BY	DATE																																						
BINGHAM	2008/04/11																																						
1 REV	DRAFT WHERE APPLICABLE MUST REMAIN WITHIN DIMENSIONS	MATERIAL NO. <b>SEE CHART</b>	DOCUMENT NO. <b>SD-76136-001</b>	SHEET NO. <b>2 OF 2</b>																																			
THIS DRAWING CONTAINS INFORMATION THAT IS PROPRIETARY TO MOLEX INCORPORATED AND SHOULD NOT BE USED WITHOUT WRITTEN PERMISSION																																							