

PLEASE CHECK WWW.MOLEX.COM FOR LATEST PART INFORMATION

Part Number: [0528080670](#)
Status: **Active**
Overview:
Description: 1.00mm (.039") Pitch FFC/FPC Connector, SMT, Vertical, Non-ZIF Receptacle, 6 Circuits, Lead-free

Agency Certification

UL E29179

General

Product Family FFC/FPC Connectors
 Series 52808
 Overview ffc_fpc_smt
 Product Name N/A

Physical

Circuits (Loaded) 6
 Circuits (maximum) 6
 Color - Resin Natural
 Contact Position N/A
 Durability (mating cycles max) 10
 Entry Angle N/A
 Flammability 94V-0
 Mated Height (in) 0.199 In
 Mated Height (mm) 5.05 mm
 Material - Metal Phosphor Bronze
 Material - Plating Mating Tin-Bismuth
 Material - Plating Termination Tin-Bismuth
 Material - Resin High Temperature Thermoplastic
 Number of Rows 1
 Orientation Vertical
 PCB Locator No
 PCB Retention None
 Packaging Type Embossed Tape on Reel
 Pitch - Mating Interface (in) 0.039 In
 Pitch - Mating Interface (mm) 1.00 mm
 Pitch - Term. Interface (in) 0.039 In
 Pitch - Term. Interface (mm) 1.00 mm
 Plating min: Mating (µin) 40
 Plating min: Mating (µm) 1
 Plating min: Termination (µin) 40
 Plating min: Termination (µm) 1
 Polarized to PCB No
 Stackable No
 Surface Mount Compatible (SMC) Yes
 Temperature Range - Operating -20°C to +80°C
 Termination Interface: Style Surface Mount
 Wire/Cable Type FFC/FPC

Electrical

Current - Maximum per Contact 0.5A
 Voltage - Maximum 125V AC (RMS)/DC

Material Info

Reference - Drawing Numbers

Packaging Specification SPK-52808-001

EU RoHS
ELV and RoHS
Compliant
REACH SVHC
Contains SVHC: No
Halogen-Free
Status
Not Reviewed

China RoHS



Need more information on product environmental compliance?

Email productcompliance@molex.com
 For a multiple part number RoHS Certificate of Compliance, [click here](#)

Please visit the [Contact Us](#) section for any non-product compliance questions.

Search Parts in this Series
[52808Series](#)

Product Specification

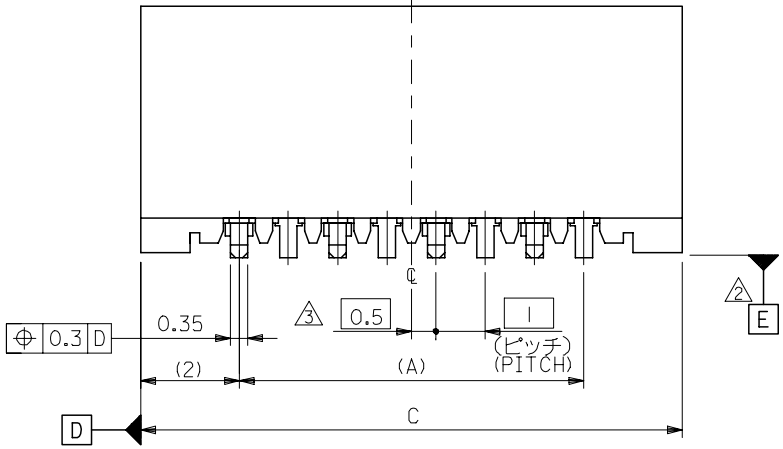
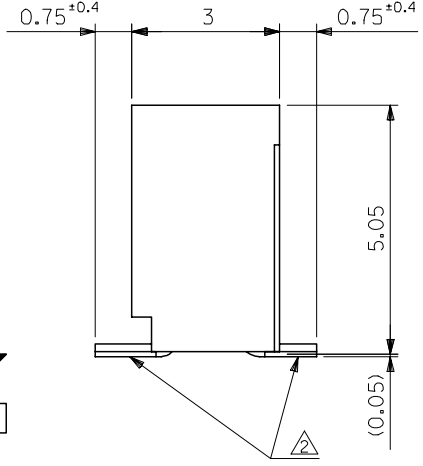
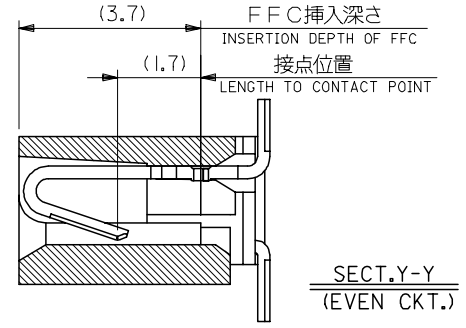
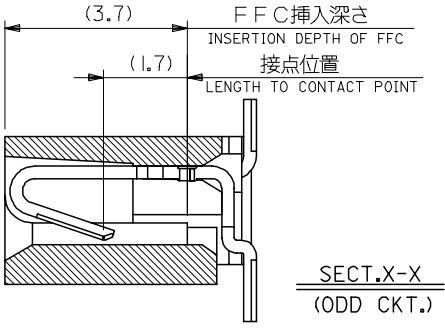
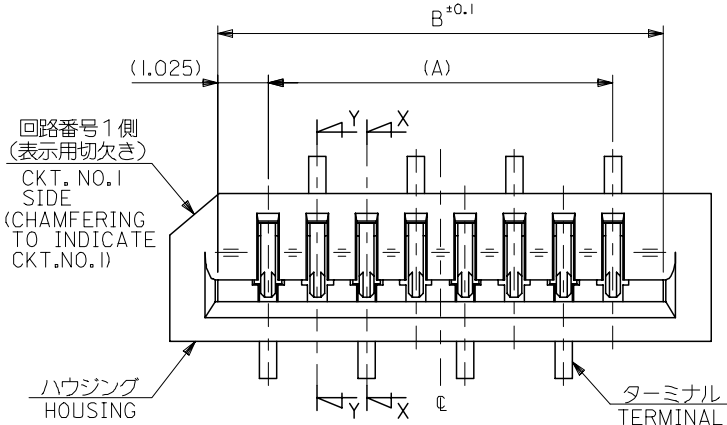
Sales Drawing

PS-52808-004, RPS-52808-039, RPS-52808-044,
RPS-52808-045, RPS-52808-047, RPS-52808-048,
RPS-52808-049
SD-52808-027, SD-52808-028

This document was generated on 06/05/2010

PLEASE CHECK WWW.MOLEX.COM FOR LATEST PART INFORMATION

10 9 8 7 6 5 4 3 2 1

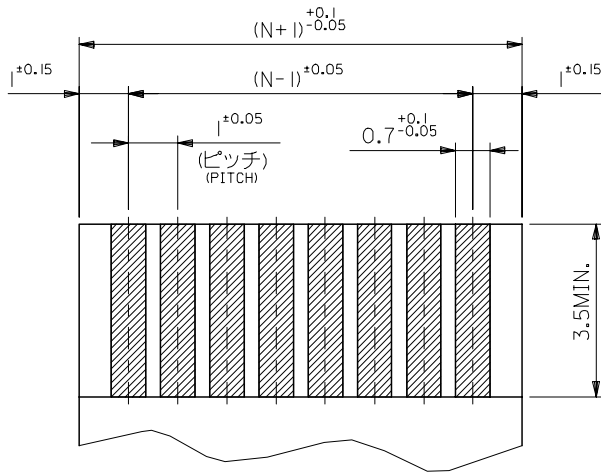


33	31.05	29	52808-3019	30
32	30.05	28	-2919	29
31	29.05	27	-2819	28
30	28.05	26	-2719	27
29	27.05	25	-2619	26
28	26.05	24	-2519	25
27	25.05	23	-2419	24
26	24.05	22	-2319	23
25	23.05	21	-2219	22
24	22.05	20	-2119	21
23	21.05	19	-2019	20
22	20.05	18	-1919	19
21	19.05	17	-1819	18
20	18.05	16	-1719	17
19	17.05	15	-1619	16
18	16.05	14	-1519	15
17	15.05	13	-1419	14
16	14.05	12	-1319	13
15	13.05	11	-1219	12
14	12.05	10	-1119	11
13	11.05	9	-1019	10
12	10.05	8	-0919	9
11	9.05	7	-0819	8
10	8.05	6	-0719	7
9	7.05	5	-0619	6
8	6.05	4	-0519	5
7	5.05	3	52808-0419	4

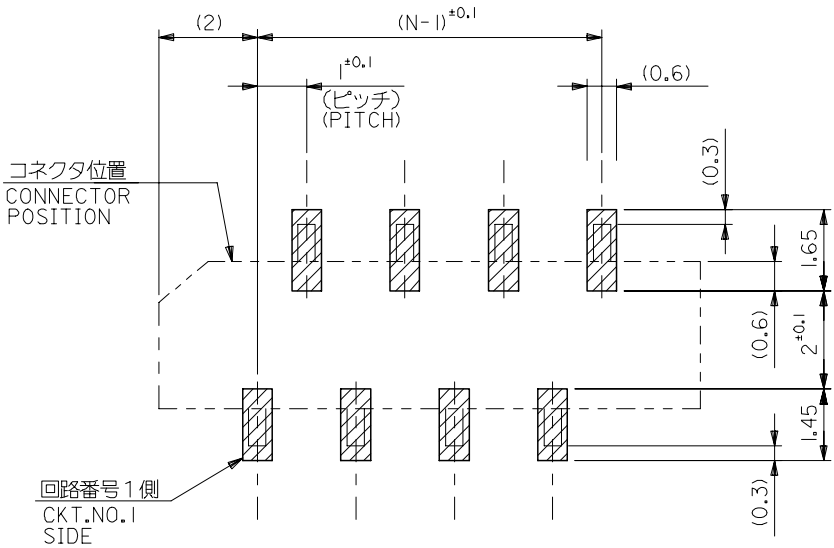
注記 NOTES:

1. 使用材料 MATERIAL
 ハウジング: PPS, UL94V-0 HOUSING : PPS, UL94V-0
 ターミナル: リン青銅 (±0.25) TERMINAL : PHOSPHOR BRONZE
 メッキ: ニッケル下地鍍ビスマスメッキ PLATING : TIN-BISMUTH OVER NICKEL
2. 基準面 [E] からのソルダーテールの半田付け面のズレ量は、
 上方向に0.1 MAX. 下方向0.15 MAX. とする。
 MISALIGNMENT OF SOLDER TAIL FROM [E]
 : UPPER DIRECTION 0.1 MAX. , LOWER DIRECTION 0.15 MAX.
3. 偶数極に適用。
 APPLY FOR EVEN CKT.
4. 本製品は52808-**-10の鉛フリー品である。
 THIS PRODUCT IS LEAD FREE OF 52808-**-10

REVISED EC NO: J2006-1497 DRW: NABE1 2005/11/04 CHK: KYOYODA 2005/11/07 APP: NUKITA 2005/11/11	GENERAL TOLERANCES (UNLESS SPECIFIED)		DIMENSION STYLE MM ONLY		SCALE ---	DESIGN UNITS METRIC	THIRD ANGLE PROJECTION
	10 UNDER	±0.2	DRAWN BY M. NABE1	DATE '04/02/19	TITLE 1.0 FFC CONN. NON ZIF SMT. ST. -LEAD FREE-		
	10 OVER 30 UNDER	±0.25	CHECKED BY M. SASAO	DATE '04/02/19	MOLEX INCORPORATED		
	30 OVER	±0.3	APPROVED BY M. SASAO	DATE '04/02/19	MATERIAL NO. SEE CHART	DOCUMENT NO. SD-52808-027	SHEET NO. 1 OF 1
A	ANGULAR ±3 °		DRAFT WHERE APPLICABLE MUST REMAIN WITHIN DIMENSIONS		THIS DRAWING CONTAINS INFORMATION THAT IS PROPRIETARY TO MOLEX INCORPORATED AND SHOULD NOT BE USED WITHOUT WRITTEN PERMISSION		



(仕上がり厚さ) $0.3^{+0.03}$
THICKNESS
適合FPC推奨寸法
APPLICABLE FPC
RECOMMENDED DIMENSION.



参考基板レイアウト (マウント面)
RECOMMENDED P.C.BOARD
PATTERN DIMENSION. (REF.)
(MOUNTING AREA)

FPCについて:

- 打抜き方向は、導体側から補強板側を推奨いたします。
- 補強フィルム材質は、ポリイミドを推奨いたします。
- 接着剤は、熱硬化接着剤を推奨いたします。

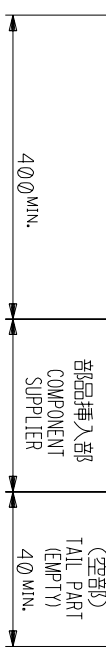
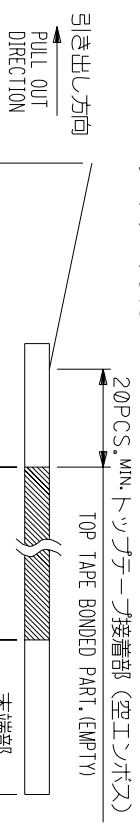
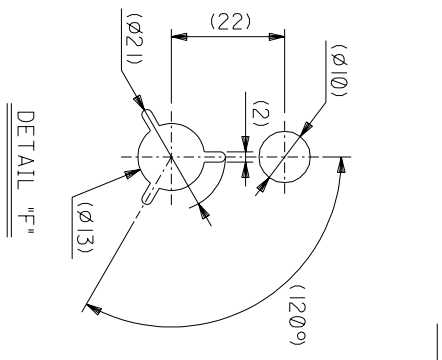
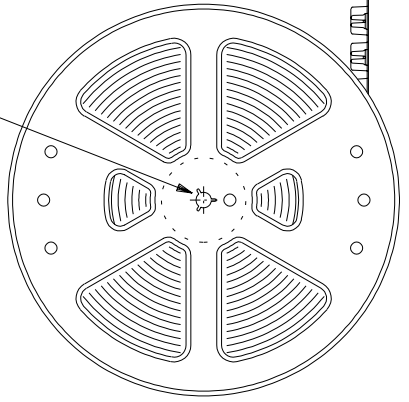
ABOUT FPC:

RECOMMENDED PUNCHER DIRECTION: FROM CONDUCTOR SIDE TO STIFFENER BOARD SIDE.

RECOMMENDED MATERIAL:
STIFFENER FILM: POLYIMIDE
BONDING AGENT: THERMOSETTING BONDING AGENT

REVISED EC NO: J2006-1497 DRW: NABEI 2005/11/04 CHK: KTOYODA 2005/11/07 APPR: NUKITA 2005/11/11 A	GENERAL TOLERANCES (UNLESS SPECIFIED)		DIMENSION STYLE MM ONLY		SCALE ---	DESIGN UNITS METRIC	THIRD ANGLE PROJECTION
	10 UNDER	±0.2	DRAWN BY M. NABEI	DATE '04/02/19	TITLE 1.0 FFC CONN. NON ZIF SMT. ST. -LEAD FREE-		
	10 ⁰ OVER 30 UNDER	±0.25	CHECKED BY M. SASAO	DATE '04/02/19	MOLEX INCORPORATED		
	30 ⁰ OVER	±0.3	APPROVED BY M. SASAO	DATE '04/02/19	MATERIAL NO. SEE CHART	DOCUMENT NO. SD-52808-027	SHEET NO. 2 OF 2
	ANGULAR	±3 °	DRAFT WHERE APPLICABLE MUST REMAIN WITHIN DIMENSIONS		THIS DRAWING CONTAINS INFORMATION THAT IS PROPRIETARY TO MOLEX INCORPORATED AND SHOULD NOT BE USED WITHOUT WRITTEN PERMISSION		

8 7 6 5 4 3 2 1



NOTES

- 1. 製品詳細寸法については図面 SD-52808-027 を参照下さい。
RE DETAILED DIMENSION, SEE SD-52808-027
2. 梱包数量: 1000個/リール
NUMBER OF CONNECTORS : 1000PCS/REEL
3. リードテープ長さ LEAD TAPE LENGTH
20PCS. MIN. トリプターテープ接合部 (空エンプス)

4. トリプターテープの剥離強度: 0.1 ~ 1.3N (10 ~ 130gf) (剥離方向は下図参照)

尚、本規格値は出荷時に適用。(但し、輸送時に剥離が発生しないこと。)
PEELING OFF FORCE OF TOP TAPE: 0.1 ~ 1.3N (10 ~ 130gf)
(PHEELING DIRECTION AS SHOWN IN FOLLOWING FIG.)
THIS REQUIREMENT SHOULD BE APPLIED AT SHIPMENT.
PEEL OFF SHOULD NOT BE ALLOWED, DURING TRANSPORTATION.

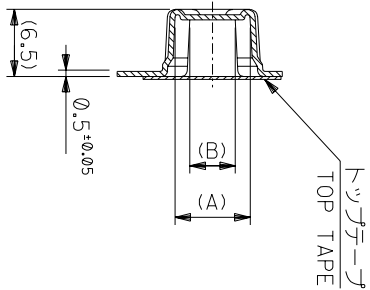
- 5. 材料(MATERIAL)
キャリアテープ(CARRIER TAPE): ポリプロピレン(POLYPROPYLENE)
トリプターテープ(TOPTAPE): PET, PE, PEF
リール(REEEL): ポリスチレン(PS) <リサイクル材を含む>
POLYSTYRENE(PS) RECYCLE MATERIAL CONTAINED>
6. 本製品は52808-**-90の鉛フリー品である。
THIS PRODUCT IS LEAD FREE OF 52808-**-90

Table with columns: 角度 ANGLE, 30以上, 10以下, 10未満, 10未満, 10未満, 10未満. Values: 3°, 0.3, 0.25, 0.2.

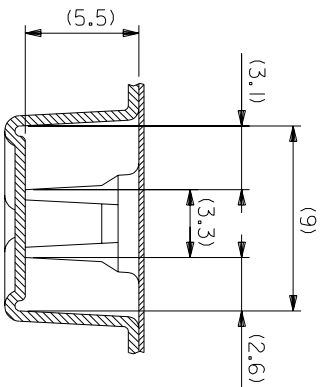
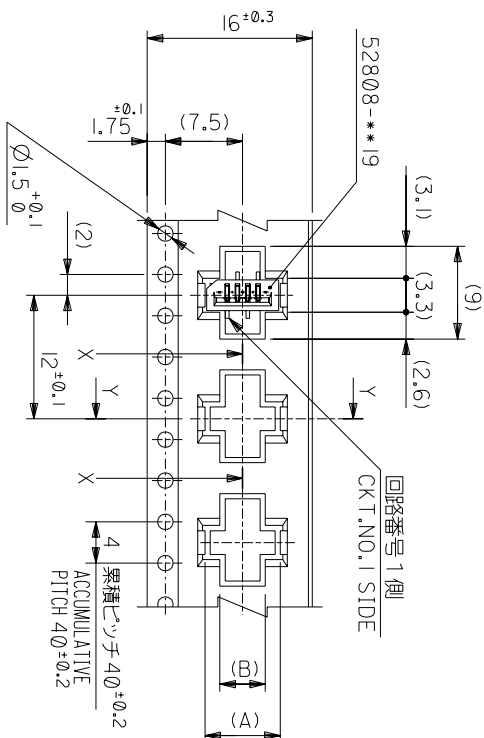
Table with columns: 材料 MATERIAL, 注記参照 SEE NOTES, 仕上げ FINISH, 適用電線範囲 WIRE RANGE, 検査外径 INS. RANGE, 尺度 SCALE, 材料 MOLEX-JAPAN CO., LTD., 日本モリス株式会社, REVISE ONLY ON CAD SYSTEM, TITLE 名称, I.O FFC Conn NON ZIF SMT ST Embstd PKG -LEAD FREE-, DWG. NO. SD-52808-028, SHEET 1 OF 6, REV 0.

THIS DRAWING CONTAINS INFORMATION THAT IS PROPRIETARY TO MOLEX/JAPAN AND SHOULD NOT BE USED WITHOUT WRITTEN PERMISSION.
本図面は日本モリス(株)の所有する権利を有するため、当社の許可なく複製を禁止する。

8 7 6 5 4 3 2 1



SECT:Y-Y



16mm幅キャリアテープ
16mm WIDTH CARRIER TAPE

角度 ANGLE	±3°
30以上	±0.2
10以下	±0.25
10 UNDER	±0.2
30 UNDER	±0.2

記号 LTR	0	新規作成 (2004-2528)
REVISION RECORD		
DR-CHK.	MAN/M.S	DATE

MODEL NO. 52808-**-70

CARRIER TAPE WIDTH 16

C (B)

(A) MATERIAL NO. 52808-0570

材料 MATERIAL SHEET 1 OF 6 参照 REFER TO SHEET 1 OF 6

仕上げ FINISH #

適用電線範囲 WIRE RANGE #

標準外径 INS. RANGE #

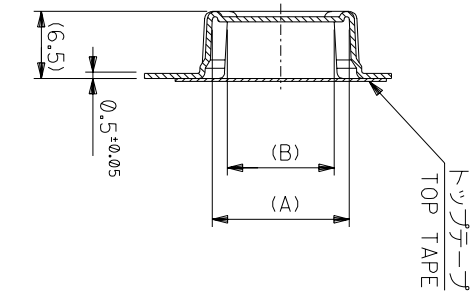
DRAWN BY 04/02/19 CHK'D BY 04/02/19

APP'D BY 04/02/19 M.SASAO

尺度 SCALE #

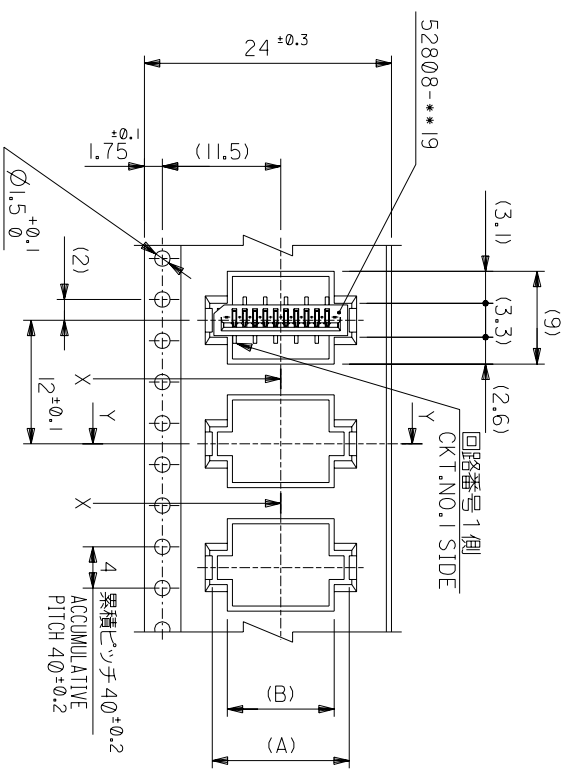
DWG. NO. SD-52808-028 (SHEET 2 OF 6) REV 0

THIS DRAWING CONTAINS INFORMATION THAT IS PROPRIETARY TO MOLEX(JAPAN) AND SHOULD NOT BE USED WITHOUT WRITTEN PERMISSION
本図面は日本モリス(株)の所有する情報を含むもので 当社の許可なく複製を禁止する。

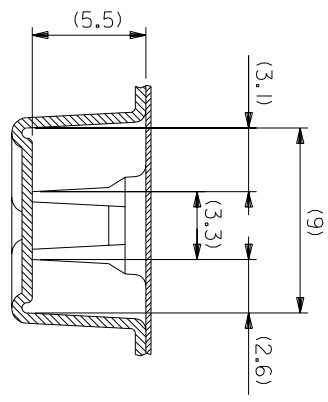


SECT:Y-Y

24mm幅キャリアテープ
24mm WIDTH CARRIER TAPE



引き出し方向
PULL OUT DIRECTION



SECT:X-X
(SCALE:4-1)

MODEL NO.	キャリアテープ幅 CARRIER TAPE WIDTH	C	(B)	(A)	種数 CKT.
52808-**70	24	25.5	10.4 9.4 8.4 7.4 6.4	13.3 12.3 11.3 10.3 9.3	10 9 8 7 6

材料 MATERIAL SHEET 1 OF 6 参照 REFER TO SHEET 1 OF 6
仕上げ FINISH #
適用電線範囲 WIRE RANGE #
標準外径 INS. RANGE #
DRAWN BY 04/02/19 CHK'D BY 04/02/19
M.NABEY M.SASAO
APP'D BY 04/02/19 M.SASAO
SCALE #

REVISE ONLY ON CAD SYSTEM

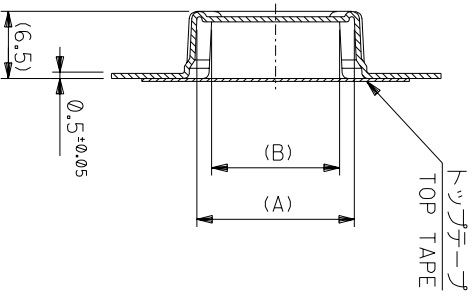
TITLE 名称
I.O FFC Conn NON ZIF
SMT ST Embs+D PKG
-LEAD FREE-

DWG. NO. SD-52808-028 (SHEET 3 OF 6)
REV 0

角度 ANGLE	公差 TOL
30°以上	±0.2
10°以下	±0.15
10°以下	±0.2

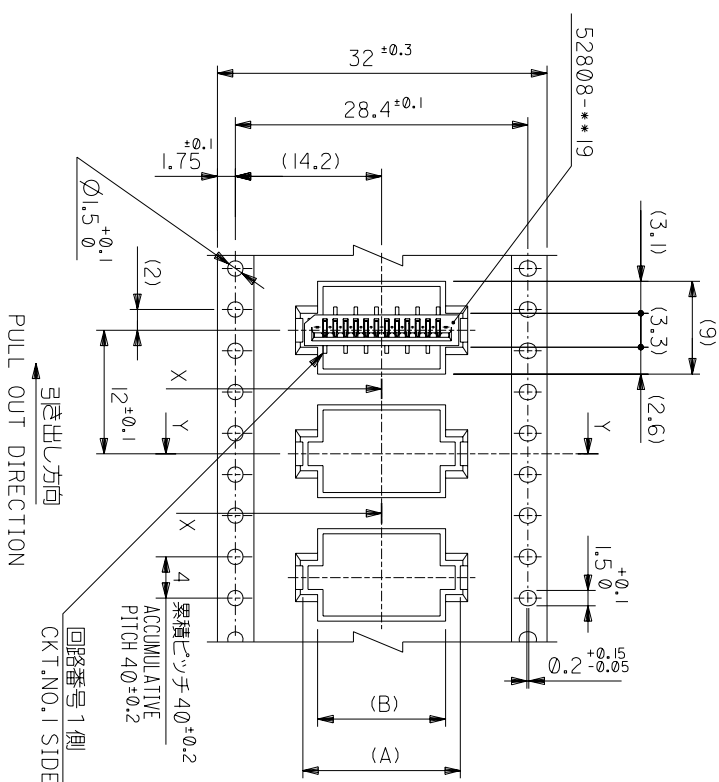
記号 LTR	変更内容 REVISION	DR-CHK.	DATE
0	新規作成 (12004-2528)	M.NABEY	04/02/19

THIS DRAWING CONTAINS INFORMATION THAT IS PROPRIETARY TO MOLEX(JAPAN) AND SHOULD NOT BE USED WITHOUT WRITTEN PERMISSION
本図面は日本モリス(株)の所有する権利を有するもので 当社の許可なく複製を禁止する。

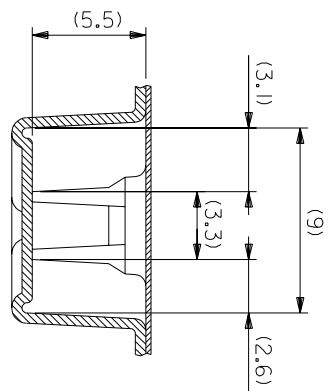


SECT:Y-Y

32mm幅キヤリテープ
32mm WIDTH CARRIER TAPE



引き出し方向
PULL OUT DIRECTION
回路番号1側
CKT.NO.1 SIDE



SECT:X-X
(SCALE:4-1)

MODEL NO.	52808-**-70	キヤリテープ幅 CARRIER TAPE WIDTH	C	(B)	(A)	MATERIAL NO.	種数 CKT.
	32						
	33.5						
	15.4		15.4	18.3	52808-1570	15	
	14.4		14.4	17.3	52808-1470	14	
	13.4		13.4	16.3	52808-1370	13	
	12.4		12.4	15.3	52808-1270	12	
	11.4		11.4	14.3	52808-1170	11	

材料
MATERIAL SHEET 10F 6 参照
REFER TO SHEET 10F 6

仕上げ
FINISH

適用電線範囲
WIRE RANGE

標準外径
INS. RANGE

DRAWN BY: 04/02/19 CHK'D BY: 04/02/19
M.NABEY M.SASAO

尺度
SCALE

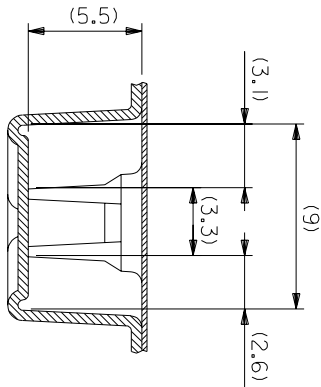
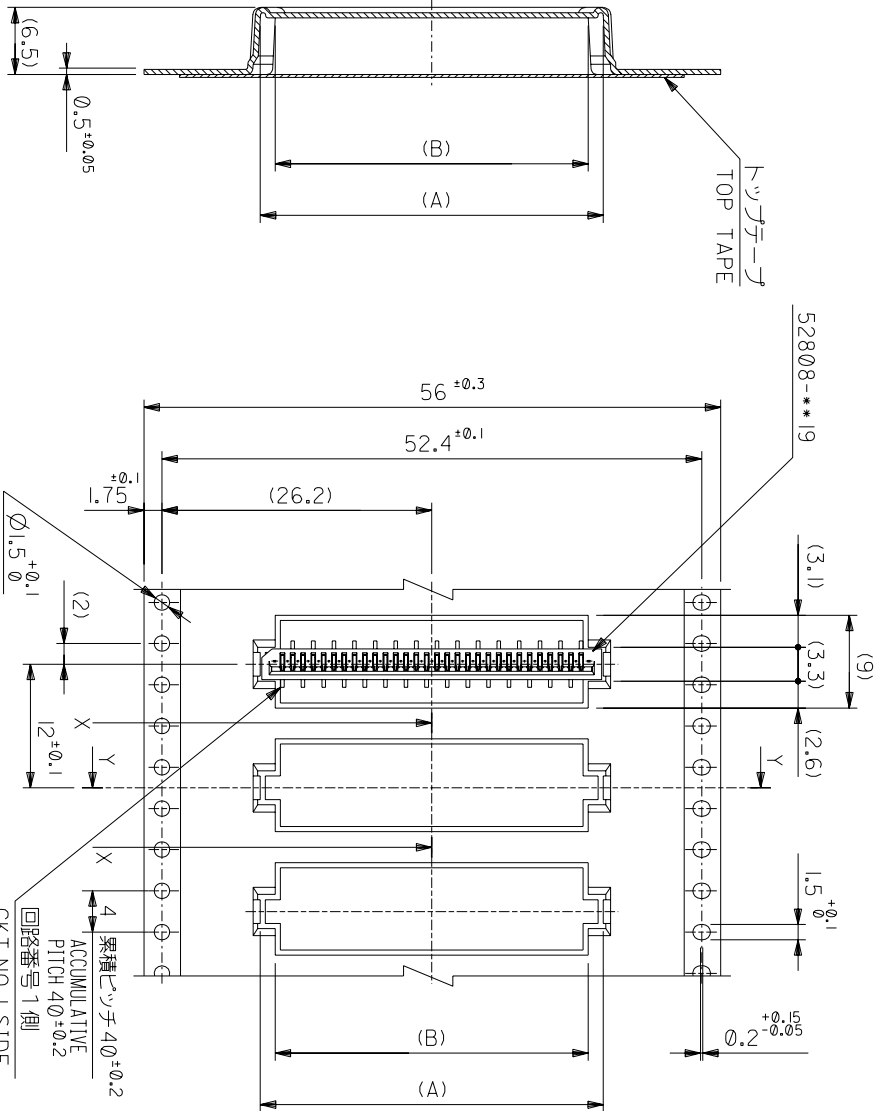
REVISE ONLY ON CAD SYSTEM

MOLEX-JAPAN CO.,LTD.
日本モリス株式会社

角度 ANGLE	3°
30以上 INCH	1.0
10以上 INCH	1.25
10未満 INCH	0.2
一般公差 GENERAL TOLERANCES	

記号 LTR	0	新規作成 REVISION	12004-2528	DR- CHK.	MAN M.S	04/02/19
変更内容 REVISION RECORD						
日付 DATE						

THIS DRAWING CONTAINS INFORMATION THAT IS PROPRIETARY TO MOLEX(JAPAN) AND SHOULD NOT BE USED WITHOUT WRITTEN PERMISSION
本図面は日本モリス(株)の所有する情報を含むもので 当社の許可なく複製を禁止する。



SECT:Y-Y
56mm幅キヤリヤテープ
56mm WIDTH CARRIER TAPE

PULL OUT DIRECTION
引き出し方向

52808-**-70	MODEL NO.	56	57.5	30.4	29.4	32.3	52808-2970	29
56	CARRIER TAPE WIDTH	C	(B)	(A)	MATERIAL NO.	種数	種数	種数

角度 ANGLE	3°	30	30	30	30	30	30	30
以上	±0.2	±0.2	±0.2	±0.2	±0.2	±0.2	±0.2	±0.2
以下	±0.2	±0.2	±0.2	±0.2	±0.2	±0.2	±0.2	±0.2
未測	±0.25	±0.25	±0.25	±0.25	±0.25	±0.25	±0.25	±0.25
未測	±0.2	±0.2	±0.2	±0.2	±0.2	±0.2	±0.2	±0.2
未測	±0.2	±0.2	±0.2	±0.2	±0.2	±0.2	±0.2	±0.2

記号	0	新規作成	(12004-2528)	DR	MAN	MM/02/19	尺	MM/02/19
TR	0	変更内容		CHK	M.S	MM/02/19	度	MM/02/19
GENERAL TOLERANCES		REVISION RECORD		DATE			SCALE	1/1
材料		仕上げ						
MATERIAL		FINISH						
SHEET 1 OF 6 参照		適用電線範囲						
REFER TO SHEET 1 OF 6		線径外径						
		INS. RANGE						
		DRAWN BY	MM/02/19	CHK'D BY	MM/02/19			
		APP'D BY	MM/02/19	SCALE	1/1			
		MANABEI						
		M.SASAO						
		DWG. NO.	SD-52808-028	(SHEET 6 OF 6) REV	0			
		MOLEX-JAPAN CO.,LTD.						
		日本モリス株式会社						
		REVISE ONLY ON CAD SYSTEM						
		TITLE 名称						
		1.0 FFC Conn NON ZIF						
		SMT ST Embstp Pkg						
		-LEAD FREE-						

THIS DRAWING CONTAINS INFORMATION THAT IS PROPRIETARY TO MOLEX(JAPAN) AND SHOULD NOT BE USED WITHOUT WRITTEN PERMISSION
 本図面は日本モリス(株)の所有する情報を含むもので 当社の許可なく複製を禁止する。