

**PLEASE CHECK WWW.MOLEX.COM FOR LATEST PART INFORMATION**

**Part Number:** [0436440014](#)

**Status:** **Active**

**Description:** 4.20mm (.165") Pitch Mini-Fit Jr.™ BMI Header, Dual Row, Right Angle, 4 Circuits, PA Polyamide Nylon 6/6 94V-0, with Gold (Au) Plating

**Documents:**

[3D Model](#)

[Drawing \(PDF\)](#)

[Product Specification PS-5556-002 \(PDF\)](#)

[RoHS Certificate of Compliance \(PDF\)](#)

**General**

Product Family

PCB Headers

Series

[43644](#)

Application

Board-to-Board, Wire-to-Board

Comments

Current = 13A max. per circuit when header is mated to a receptacle loaded with [45750](#) Mini-Fit Plus HCS™ Crimp Terminal Crimped to to 16 AWG wire. . See Molex Product specification PS-5556-002 for additional current de-rating information.

Product Name

Mini-Fit BMI™

**Physical**

Breakaway

No

Circuits (Loaded)

4

Circuits (maximum)

4

Color - Resin

Natural (White)

Durability (mating cycles max)

30

First Mate / Last Break

No

Glow-Wire Compliant

No

Guide to Mating Part

No

Keying to Mating Part

None

Lock to Mating Part

None

Material - Metal

Brass

Material - Plating Mating

Gold

Material - Plating Termination

Tin

Material - Resin

Nylon

Number of Rows

2

Orientation

Right Angle

PC Tail Length (in)

0.130 In

PC Tail Length (mm)

3.30 mm

PCB Locator

Yes

PCB Retention

None

PCB Thickness Recommended (in)

0.093 In

PCB Thickness Recommended (mm)

2.40 mm

Packaging Type

Tray

Pitch - Mating Interface (in)

0.165 In

Pitch - Mating Interface (mm)

4.20 mm

Plating min: Mating (µin)

30

Plating min: Mating (µm)

0.76

Plating min: Termination (µin)

100

Plating min: Termination (µm)

2.54

Polarized to PCB

Yes

Shrouded

Partial

Stackable

No

Surface Mount Compatible (SMC)

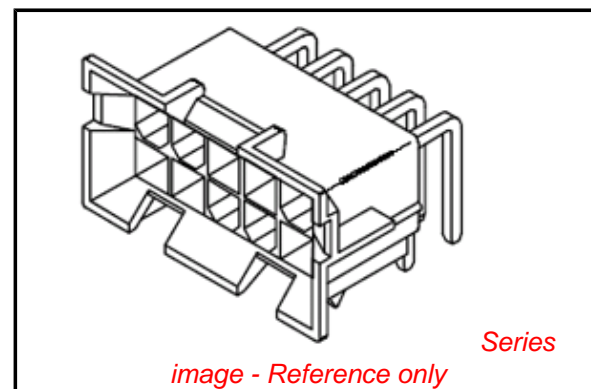
No

Temperature Range - Operating

-40°C to +105°C

Termination Interface: Style

Through Hole



**EU RoHS**

**ELV and RoHS**

**Compliant**

**REACH SVHC**

**Not Reviewed**

**Halogen-Free**

**Status**

**Not Reviewed**

**China RoHS**



**Need more information on product environmental compliance?**

Email [productcompliance@molex.com](mailto:productcompliance@molex.com)

For a multiple part number RoHS Certificate of Compliance, [click here](#)

Please visit the [Contact Us](#) section for any non-product compliance questions.

**Search Parts in this Series**

[43644Series](#)

**Mates With**

[44516](#) Slide-and-Lock Receptacle, [42474](#) Receptacle Housing, [44475](#) Mini-Fit HCS™ Receptacle Header, [5557d](#) Receptacle Housing, [42385](#) Receptacle Header

**Electrical**

Current - Maximum per Contact	13A
Voltage - Maximum	600V

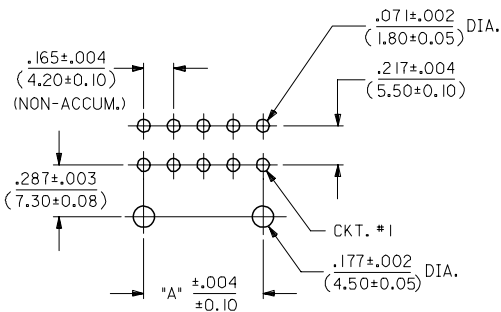
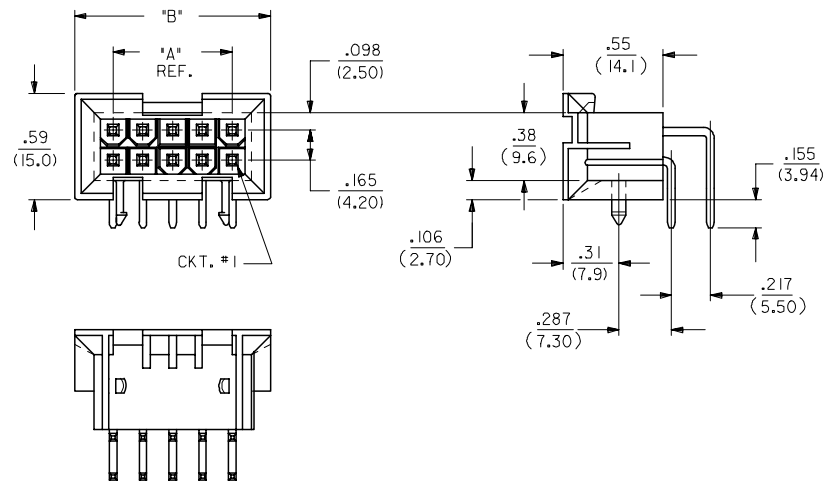
**Material Info****Reference - Drawing Numbers**

Packaging Specification	PK-42404-002
Product Specification	PS-5556-002
Sales Drawing	SD-43644-002
Test Summary	TS-5556-002

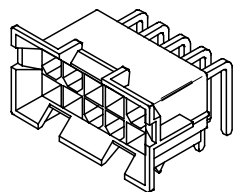
This document was generated on 05/13/2010

**PLEASE CHECK [WWW.MOLEX.COM](http://WWW.MOLEX.COM) FOR LATEST PART INFORMATION**

CIRCUIT SIZE	DIM. 'A'	DIM. 'B'
6	.331 (8.40)	.76 (19.2)
8	.496 (12.60)	.92 (23.4)
10	.661 (16.80)	1.09 (27.6)
12	.827 (21.00)	1.25 (31.8)
14	.992 (25.20)	1.42 (36.0)
16	1.157 (29.40)	1.58 (40.2)
18	1.323 (33.60)	1.75 (44.4)
20	1.488 (37.80)	1.91 (48.6)
22	1.654 (42.00)	2.08 (52.8)
24	1.819 (46.20)	2.24 (57.0)



RECOMMENDED HOLE LAYOUT FOR  
 .101/(2.56) MAX. THICK P.C. BOARD  
 (VIEWED FROM COMPONENT SIDE)



43644\*\*\*\*

**NOTES:**

- HOUSING MATERIAL:  
 1 = NYLON 6/6, U.L. 94V-0, COLOR: NATURAL.
- TERMINAL MATERIAL: BRASS, ALLOY 260.
- 4-24 CKT. PARTS MATE WITH MINI-FIT JR. RECEPTACLES \*5557, \*42385 AND \*42474. 2 CKT. PART MATES WITH \*42385 AND \*42474 ONLY.
- PART ALLOWS FOR UP TO .100/(2.54) MISALIGNMENT WITH MATING RECEPTACLE IN ANY DIRECTION. SEE MATING CONNECTOR DRAWINGS FOR SPECIFIC ALLOWANCES.
- DISCOLORATION IN THE BANDOLIER CARRIER AREA OF THE PIN IS INHERENT TO THE PLATING PROCESS AND IS DUE TO THE MASKING EFFECT OF THE CARRIER. THIS DISCOLORATION IS IN A NON-FUNCTIONAL AREA OF THE PIN AND WILL NOT AFFECT THE PERFORMANCE OF THE HEADER ASSEMBLY.
- TERMINAL PLATING:  
 1 = .000100/(.00254) MIN. BRIGHT TIN OVER .000050/(.00127) MIN. NICKEL OVERALL.  
 2 = .000030/(.00076) MIN. SELECT GOLD .000100/(.00254) MIN. SELECT MATTE TIN OVER .000050/(.00127) MIN. NICKEL OVERALL.
- PRODUCT SPECIFICATION: PS-5556-002
- CONNECTOR ASSEMBLIES ARE NOT TO BE MATED OR UNMATED WHILE CIRCUITS ARE LIVE.
- THIS HOLE PATTERN DOES NOT PROVIDE FOR LOCKING THE HOUSING TO THE P.C. BOARD
- ITEM NUMBERS PRECEDED BY AN 'X' ARE NOT TOOLED.
- THIS PART CONFORMS TO CLASS B REQUIREMENTS OF COSMETIC SPECIFICATION PS-45499-002.

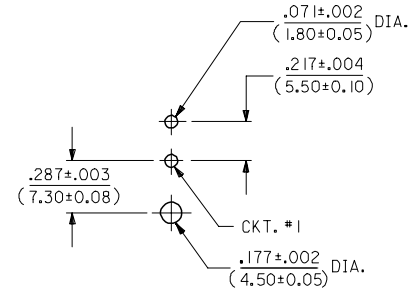
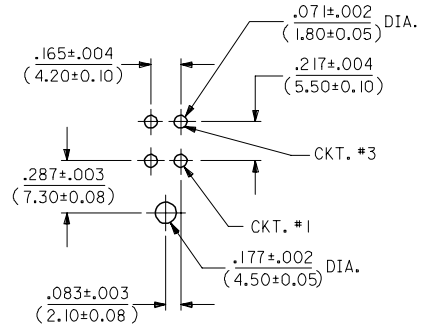
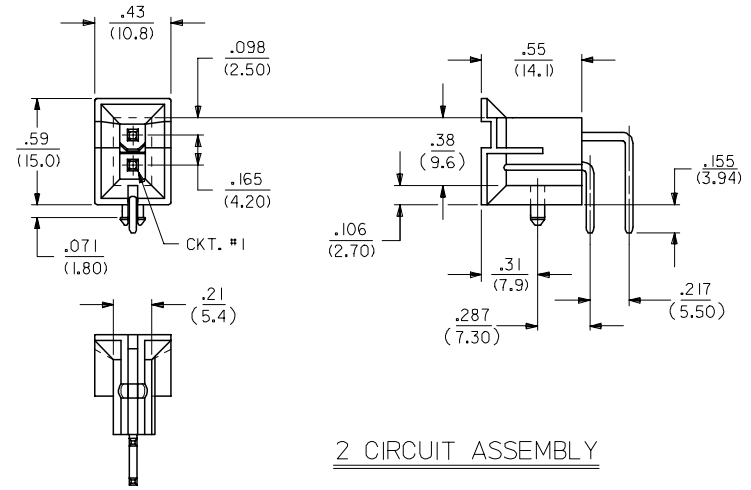
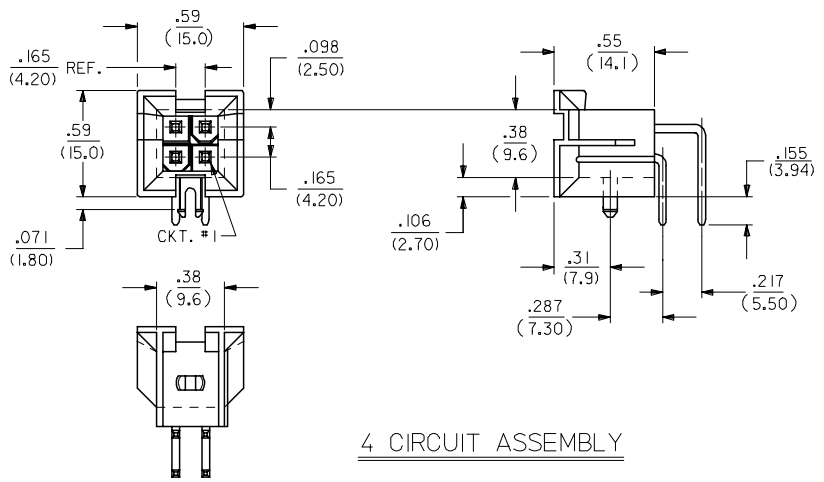
3	2
2	2
1	2
SHT. REV.	

ADD NOTE 11 EC NO: UCP2007-2082 DRAWING STEWART 2007/02/22 CHKD: GPOLGAR 2007/02/22 APPR: APATEL 2007/02/22	QUALITY SYMBOLS =0 =0	GENERAL TOLERANCES (UNLESS SPECIFIED)		DIMENSION STYLE IN/MM		SCALE 2:1	DESIGN UNITS METRIC	THIRD ANGLE PROJECTION		
		4 PLACES ± --- ± ---	3 PLACES ± --- ± .010	2 PLACES ± 0.25 ± .015	1 PLACE ± 0.38 ± ---	ANGULAR ±1/2°	DRAWN BY ADRATNOL	DATE 2005/12/05	TITLE MINI-FIT JR BMI RIGHT ANGLE HDR ASSY FOR .094/(2.40) PCB	
DRAFT WHERE APPLICABLE MUST REMAIN WITHIN DIMENSIONS		SEE SHEET 3		APPROVED BY JCOMERC I		DATE 2005/12/05	MATERIAL NO.		DOCUMENT NO. SD-43644-002	
				SIZE C		THIS DRAWING CONTAINS INFORMATION THAT IS PROPRIETARY TO MOLEX INCORPORATED AND SHOULD NOT BE USED WITHOUT WRITTEN PERMISSION		SHEET NO. 1 OF 3		

13 12 11 10 9 8 7 6 5 4 3 2 1

J  
I  
H  
G  
F  
E  
D  
C  
B  
A

J  
I  
H  
G  
F  
E  
D  
C  
B  
A



RECOMMENDED HOLE LAYOUT FOR  
.101/(2.56) MAX. THICK P.C. BOARD  
(VIEWED FROM COMPONENT SIDE)

RECOMMENDED HOLE LAYOUT FOR  
.101/(2.56) MAX. THICK P.C. BOARD  
(VIEWED FROM COMPONENT SIDE)

SEE SHEET ONE FCC NO: UCP2007-2082 2 DRAWING: STEWART 2007/02/22 CHKD: GPOLGAR 2007/02/22 APPR: APATEL 2007/02/22 REV DESCRIPTION	QUALITY SYMBOLS	GENERAL TOLERANCES (UNLESS SPECIFIED)	DIMENSION STYLE	SCALE	DESIGN UNITS	THIRD ANGLE PROJECTION
	$\nabla=0$ $\nabla=0$	mm INCH 4 PLACES ± --- ± --- 3 PLACES ± --- ± .010 2 PLACES ± 0.25 ± .015 1 PLACE ± 0.38 ± --- ANGULAR ±1/2°	IN/MM	2:1	METRIC	
			DRAWN BY: AD RATNOL CHECKED BY: GPOLGAR APPROVED BY: JCOMERC I MATERIAL NO.	DATE: 2005/12/05 DATE: 2005/12/05 DATE: 2005/12/05		MINI-FIT JR BMI RIGHT ANGLE HDR ASSY FOR .094/(2.40) PCB
		DRAFT WHERE APPLICABLE MUST REMAIN WITHIN DIMENSIONS	SEE SHEET 3 THIS DRAWING CONTAINS INFORMATION THAT IS PROPRIETARY TO MOLEX INCORPORATED AND SHOULD NOT BE USED WITHOUT WRITTEN PERMISSION	MOLEX MOLEX INCORPORATED DOCUMENT NO. SD-43644-002	SHEET NO. 2 OF 3	

12 11 10 9 8 7 6 5 4 3 2 1

