

PLEASE CHECK WWW.MOLEX.COM FOR LATEST PART INFORMATION

Part Number: [0359650290](#)
Status: **Active**
Description: 1.78mm (.070") Tab Multiple Wire-to-Wire Female Housing TPA™, 2 Circuits

Documents:

[Drawing \(PDF\)](#) [RoHS Certificate of Compliance \(PDF\)](#)
[Product Specification PS-35180-002 \(PDF\)](#)

General

Product Family	Accessories
Series	35965
Component Type	Retainer
Product Name	TPA™ - Term Pos Assurance

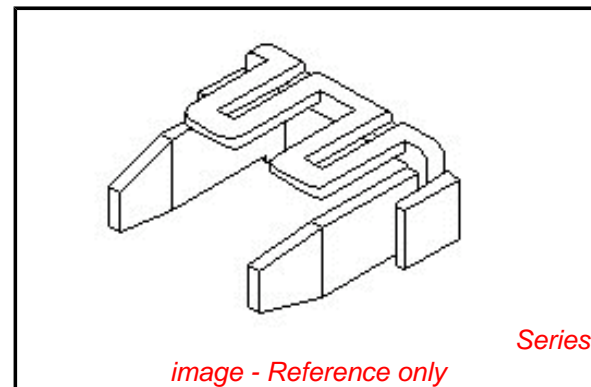
Physical

Circuits (Loaded)	2
Lock to Mating Part	Yes
Number of Rows	1
Packaging Type	Bag
Temperature Range - Operating	-40°C to +120°C

Material Info

Reference - Drawing Numbers

Product Specification	PS-35180-002
Sales Drawing	SD-35965-029*



EU RoHS

**ELV and RoHS
Compliant**
**REACH SVHC
Contains SVHC: No**
**Halogen-Free
Status**

China RoHS



**Need more information on product
environmental compliance?**

Email productcompliance@molex.com
 For a multiple part number RoHS Certificate of
 Compliance, [click here](#)

Please visit the [Contact Us](#) section for any
 non-product compliance questions.

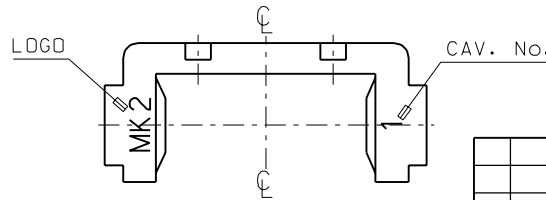
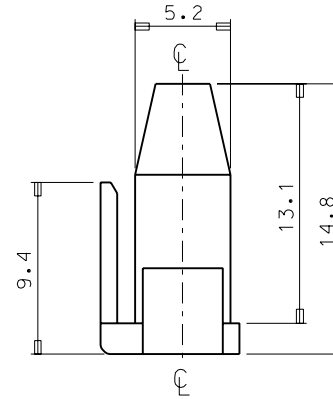
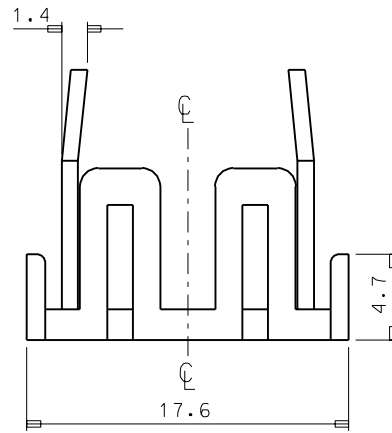
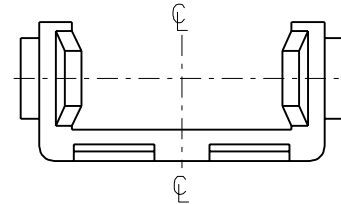
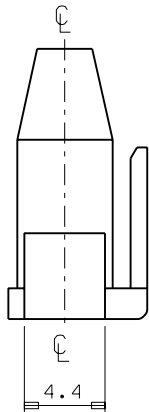
Search Parts in this Series

[35965Series](#)

Use With

[35965 Wire-to-Wire Female Housing](#)

PROJECT NO. SIMILAR ITEM EDP NO. ENG. NO. SD 35965-029*



- NOTES
- MATERIAL : NYLON 66 (UL94V-2)
 - COLOR : 35965-0290 (NATURAL)
35965-0292 (RED)
35965-0293 (YELLOW)
35965-0294 (BLUE)
 - MATCHED HOUSING : 35965-020*
35965-021*

				MATERIAL SEE NOTES		molex MOLEX-KOREA CO.,LTD.	
				GENERAL TOLERANCE		DRAWN BY J. S. KANG	
				DIMENSION : ± 0.3		CHK'D BY	
				ANGLE : $\pm 1^\circ$		APP'D BY	
				DIMENSION CLASSIFICATION		SCALE 4/1	
				▽ : CRITICAL ▼ : MAJOR		TITLE :	
				() : REFERENCE		.070 MULTI FEMALE	
A NEW RELEASED				96 12.12		HOUSING T.P.A-2P	
LTR		REVISION RECORD		ECN		DATE	
ASS'Y PART				DESCRIPTION		ENG. NO.	
REVISION RECORD				DATE		ENG. NO.	
REVISION RECORD				DATE		SD 35965-029*	
REVISION RECORD				DATE		REV A	