

1024 BIT BIPOLAR TTL

PROGRAMMABLE READ ONLY MEMORY

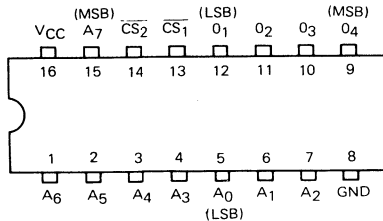
Description

The μPB403C, μPB403D, μPB423C and μPB423D are high speed, electrically programmable, fully decoded 1024 bit TTL read only memories. On-chip address decoding, two chip select inputs and open-collector/three-state outputs allow easy expansion of memory capacity. The μPB403C, μPB403D, μPB423C and μPB423D are fabricated with logic level zero (low); logic level one (high) can be electrically programmed into the selected bit locations. The same address inputs are used for both programming and reading.

Features

- 256 WORDS x 4 BITS organization (Fully decoded)
- TTL Interface
- Fast read access time : 35 ns MAX. (μPB403-2, μPB423-2)
- Medium power consumption : 400mW TYP.
- Two chip select inputs for memory expansion
- Open-Collector outputs (μPB403C, μPB403D)/Three-state outputs (μPB423C, μPB423D)
- Cerdip 16-Lead Dual In-Line Package (μPB403D, μPB423D)
- Plastic 16-Lead Dual In-Line Package (μPB403C, μPB423C)
- Fast Programming time : 200 μs/bit TYP.
- Replaceable with : Signetics' 82S 126/129; Harris' HM7610/7611 and equivalent devices (as a ROM)

Connection Diagram (Top View)



Pin names

A0-A7 : Address Inputs
 O1-O4 : Data Outputs
 CS1, CS2: Chip Select Inputs
 VCC= Power Supply (+5V)
 GND=Ground

Operation

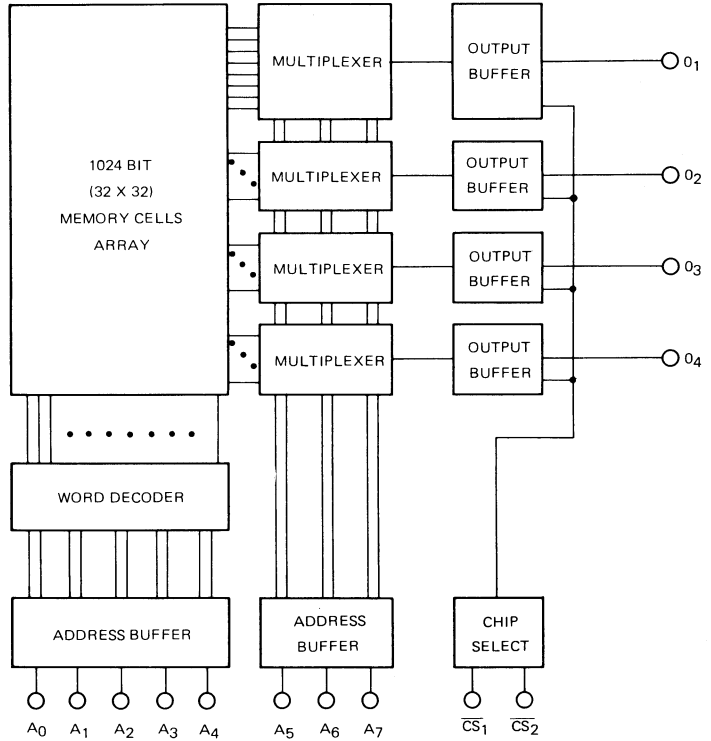
1. Programming

A logic one can be permanently programmed into a selected bit location by using special equipment (programmer). First, the desired word is selected by the eight address inputs in TTL levels. Either or both of the two chip select inputs should be at a logic one (high). Secondly, a train of high current programming pulses is applied to the desired output. After the sensed voltage indicates that the selected bit is in the logic one state, an additional pulse train is applied, then is stopped.

2. Reading

To read the memory, both of the two chip select inputs should be held at logic zero (low). The outputs then correspond to the data programmed in the selected words. When either or both of the two chip select inputs are at logic one (high), all the outputs will be high (floating).

Connection Diagram (Top View)



ABSOLUTE MAXIMUM RATINGS

Supply Voltage	V _{CC}	-0.5 to +7.0	V
Input Voltage	V _I	-0.5 to +5.5	V
Output Voltage	V _O	-0.5 to +5.5	V
Output Current	I _O	50	mA
Operating Temperature	T _{opt}	-25 to +75	°C
Storage Temperature			
Cerdip Package	T _{stg}	-65 to +150	°C
Plastic Package	T _{stg}	-55 to +125	°C

D.C. CHARACTERISTICS (V_{CC} = 4.5 to 5.5 V, T_a = 0 to 75 °C)

CHARACTERISTIC	SYMBOL	MIN.	TYP.	MAX.	UNIT	TEST CONDITION
Input High Voltage	V _{IH}	2.0			V	
Input Low Voltage	V _{IL}			0.85	V	
Input High Current	I _{IH}			40	μA	V _I =5.5 V V _{CC} =5.5 V
Input Low Current	-I _{IL}			0.25	mA	V _I =0.4 V V _{CC} =5.5 V
Output Low Voltage	V _{OL}			0.45	V	I _O =16 mA V _{CC} =4.5 V
Output Leakage Current	I _{OFF1}			40	μA	V _O =5.5 V V _{CC} =5.5 V
Output Leakage Current	-I _{OFF2}			40	μA	V _O =0.4 V V _{CC} =5.5 V
Input Clamp Voltage	-V _{IC}			1.2	V	I _I =-18 mA V _{CC} =4.5 V
Power Supply Current	I _{CC}		80	130	mA	All Inputs Grounded, V _{CC} =5.5 V
Output High Voltage	V _{OH}	2.4			V	I _O =-2.4 mA V _{CC} =4.5 V
Output Short Circuit Current	-I _{SC}	15		60	mA	V _O =0 V

* Note: Applicable to μPB423C and μPB423D.

CAPACITANCE (V_{CC} = 5 V, f = 1 MHz, T_a = 25 °C)

CHARACTERISTIC	SYMBOL	MIN.	MAX.	UNIT	TEST CONDITION
Input Capacitance	C _{IN}		8	pF	V _{IN} = 2.5 V
Output Capacitance	C _{OUT}		10	pF	V _{OUT} = 2.5 V

A.C. CHARACTERISTICS (V_{CC} = 4.5 to 5.5 V, T_a = 0 to 75 °C)

CHARACTERISTIC	SYMBOL	μPB403C-2, μPB423C-2 μPB403D-2, μPB423D-2		μPB403C-1, μPB423C-1 μPB403D-1, μPB423D-1		μPB403C, μPB423C μPB403D, μPB423D		UNIT
		MIN.	MAX.	MIN.	MAX.	MIN.	MAX.	
Address Access Time	t _{AA}		35		45		60	ns
Chip Select Access Time	t _{ACS}		25		30		35	ns
Chip Select Disable Time	t _{DCS}		25		30		35	ns

Note 1. Output Load: See Fig. 1.

Note 2. Input Waveform: 0.0 V for low level and 3.0 V for high level, less than 10 ns for both rise and fall times.

Note 3. Measurement References: 1.5 V for both inputs and outputs.

Note 4. C_L in Fig. 1 includes jig and probe stray capacitances.

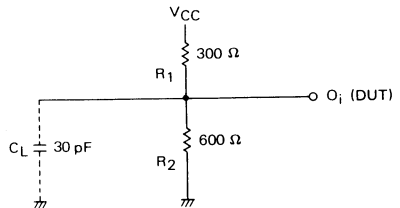


Fig. 1

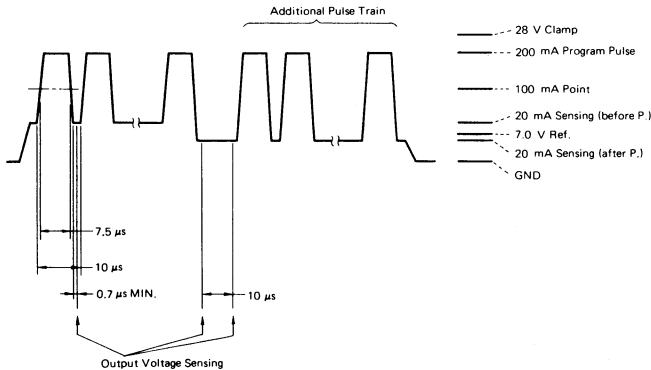
PROGRAMMING SPECIFICATION

It is imperative that this specification be rigorously observed in order to correctly program the μPB403C, μPB403D, μPB423C and μPB423D. NEC will not accept responsibility for any device found to be defective if it were not programmed according to this specification.

CHARACTERISTIC	LIMIT	UNIT	NOTES
Ambient Temperature	25 ±5	°C	
Programming Pulse			
Amplitude	200 ±5 %	mA	15 V point/150 Ω load.
Clamp Voltage	28 +0 % -2 %	V	
Ramp Rate (Both in Rise and in Fall)	70 MAX.	V/μs	
Pulse Width	7.5 ±5 %	μs	
Duty Cycle	70 % MIN.		
Sense Current			
Amplitude	20 ±0.5	mA	15 V point/150 Ω load.
Clamp Voltage	28 +0 % -2 %	V	
Ramp Rate	70 MAX.	V/μs	
Sense Current Interruption before and after address change	10 MIN.	μs	
Programming VCC	5.0 +5 % -0 %	V	
Maximum Sensed Voltage* for programmed "1"	7.0 ±0.1	V	
Delay from trailing edge of programming pulse before sensing output voltage	0.7 MIN.	μs	

* A bit is judged to be programmed when two successive sense readings 10 μs apart with no intervening programming pulse, pass the limit. When this condition has been met, four additional pulses are applied and the pulse train, then the sense current is terminated.

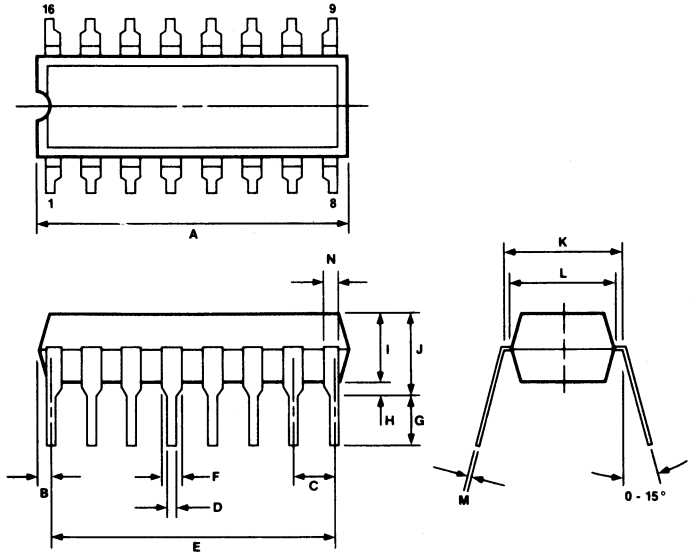
Fig. 2 Typical Output Voltage Waveform.



Package Dimensions

16PIN Plastic DIP (300 mil)

Item	Millimeters
A	20.32 max
B	1.27 max
C	2.54 [TP]
D	.50 ± .10
E	17.78
F	1.2 min
G	3.5 ± .03
H	.51 min
I	4.31 max
J	5.08 max
K	7.62 [TP]
L	6.4
M	.25 ^{+ .10} -.05
N	1.0 min



16PIN Cerdip DIP (300 mil)

ITEM	MILLIMETERS
A	20.32 MAX.
B	1.27 MAX.
C	2.54 (T.P.)
D	0.46 ^{+0.05}
F	1.42 MIN.
G	3.5 ^{+0.3}
H	0.51 MIN.
I	3.70
J	5.08 MAX.
K	7.62 (T.P.)
L	6.75
M	0.25 ^{+0.05}
N	0.25
P	0.89 MIN.

