



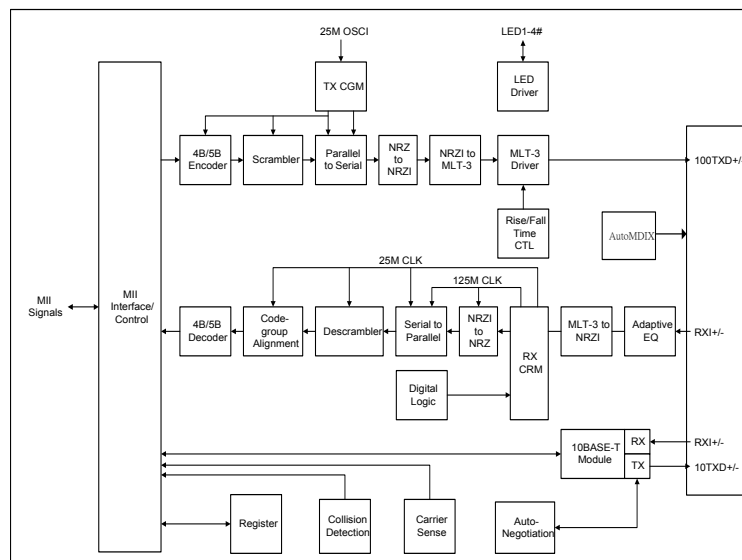
# DM9161BIEP Product Brief

## 10/100 Mbps Fast Ethernet Physical Layer Single Chip Transceiver

November 2008 Rev.1.0

The DM9161BI is a physical layer, single-chip, and low power transceiver for 100BASE-TX and 10BASE-T operations. Supports Industrial-grade:  $-40^{\circ}\text{C}$  ~  $+85^{\circ}\text{C}$ , On the media side, it provides a direct interface either to Unshielded Twisted Pair Category 5 Cable (UTP5) for 100BASE-TX Fast Ethernet, or UTP5/UTP3 Cable for 10BASE-T Ethernet. Through the Media Independent Interface (MII), the DM9161BI connects to the Medium Access Control (MAC) layer, ensuring a high inter operability from different vendors. The DM9161BI uses a low power and high performance advanced CMOS process. It contains the entire physical layer functions of 100BASE-TX as defined by IEEE802.3u, including the Physical Coding Sublayer (PCS), Physical Medium Attachment (PMA), Twisted Pair Physical Medium Dependent Sublayer (TP-PMD), 10BASE-TX Encoder/Decoder (ENC/DEC), and Twisted Pair Media Access Unit (TPMAU). The DM9161BI provides a strong support for the auto-negotiation function, utilizing automatic media speed and protocol selection. Furthermore, due to the built-in wave shaping filter, the DM9161BI needs no external filter to transport signals to the media in 100BASE-TX or 10BASE-T Ethernet operation.

### Block Diagram



## Specifications

- Fully comply with IEEE 802.3 / IEEE 802.3u 10Base-T/ 100Base-TX, ANSI X3T12 TP-PMD 1995 standard
- Support MDI/MDI-X auto crossover function (Auto-MDI)
- Support Auto-Negotiation function, compliant with IEEE 802.3u
- Fully integrated Physical layer transceiver On-chip filtering with direct interface to magnetic transformer
- Selectable repeater or node mode
- Selectable MII or RMI (Reduced MII) mode for 100Base-TX and 10Base-TX. Selectable MII or GPSI (7-Wired) mode for 10Base-T
- Selectable full-duplex or half-duplex operation
- MII management interface with maskable interrupt output capability
- Provide Loopback mode for easy system diagnostics
- LED status outputs indicate Link/ Activity, Speed10/100 and Full-duplex/Collision. Support Dual-LED optional control
- Single low power Supply of 3.3V with an advanced CMOS technology
- Very Low Power consumption modes:
  - Power Reduced mode (cable detection)
  - Power Down mode
  - Selectable TX drivers for 1:1 or 1.25:1 transformers for additional power reduction. 1: 1 transformers only when HP Auto-MDIX Enable.
- Supports Industrial-grade: -40°C.~ +85°C ,
- Compatible with 3.3V and 5.0V tolerant I/Os, 48-pin LQFP, 0.18 um process

## Application

- VoIP CPE (ATA, IP Phone, Video Phone)
- IP STB, IPC, Internet Radio
- IP CAM, DVR, Router...

## Ordering Information

Part Number	Pin Count	Package
DM9161BIEP	48	LQFP(Pb-Free)

### DAVICOM Semiconductor, Inc.

No.6, Li-Hsin Rd.VI, Science Park, Hsin-Chu, Taiwan, R.O.C.

TEL: 886-3-5798797

FAX: 886-3-5646929

E-mail: [sales@davicom.com.tw](mailto:sales@davicom.com.tw)