

**PLEASE CHECK WWW.MOLEX.COM FOR LATEST PART INFORMATION**

**Part Number:** [5015273230](#)  
**Status:** **Active**  
**Overview:** [slimstack\\_mm016\\_pitch](#)  
**Description:** 0.40mm (.016") Pitch SlimStack™ Board-to-Board Receptacle, SMT, Dual Row, Vertical, 1.30mm (.051") Stacking Height, With Solder Tabs, With Metal Cover, 32 Circuits

**Documents:**

[3D Model](#) [Product Specification PS-501527-001 \(PDF\)](#)  
[Drawing \(PDF\)](#) [RoHS Certificate of Compliance \(PDF\)](#)

**General**

Product Family PCB Receptacles  
 Series [501527](#)  
 Application Board-to-Board  
 Overview [slimstack\\_mm016\\_pitch](#)  
 Product Name SlimStack™

**Physical**

Circuits (Loaded) 32  
 Color - Resin Black  
 Durability (mating cycles max) 30  
 Glow-Wire Compliant No  
 Lock to Mating Part Yes  
 Mated Height (in) 0.051 In  
 Mated Height (mm) 1.30 mm  
 Material - Metal High Performance Alloy (HPA), Phosphor Bronze, Stainless Steel  
 Material - Plating Mating Gold  
 Number of Rows 2  
 Orientation Vertical  
 PCB Locator No  
 PCB Retention Yes  
 Packaging Type Embossed Tape on Reel  
 Pitch - Mating Interface (in) 0.016 In  
 Pitch - Mating Interface (mm) 0.40 mm  
 Polarized to Mating Part No  
 Polarized to PCB No  
 Robotic Placement Pick and Place Cap  
 Stackable No  
 Temperature Range - Operating -25°C to +85°C  
 Termination Interface: Style Surface Mount

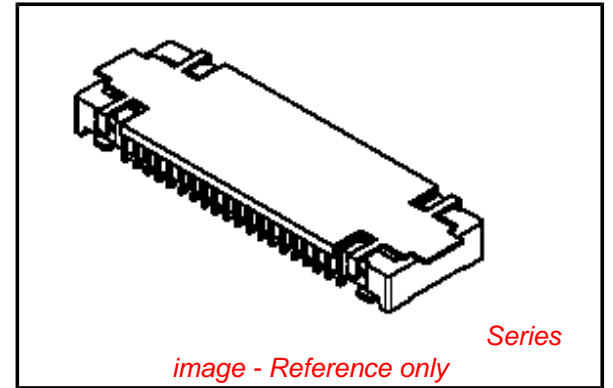
**Electrical**

Current - Maximum per Contact 0.3A  
 Voltage - Maximum 50V AC (RMS)/DC

**Material Info**

**Reference - Drawing Numbers**

Packaging Specification SPK-501527-001  
 Product Specification PS-501527-001, RPS-501527-001, RPS-501527-004  
 Sales Drawing SD-501527-001, SD-501527-002



**EU RoHS**

**ELV and RoHS Compliant**  
**REACH SVHC Contains SVHC: No**  
**Halogen-Free Status**

**China RoHS**



**Not Reviewed**

**Need more information on product environmental compliance?**

Email [productcompliance@molex.com](mailto:productcompliance@molex.com)  
 For a multiple part number RoHS Certificate of Compliance, [click here](#)

Please visit the [Contact Us](#) section for any non-product compliance questions.

**Search Parts in this Series**

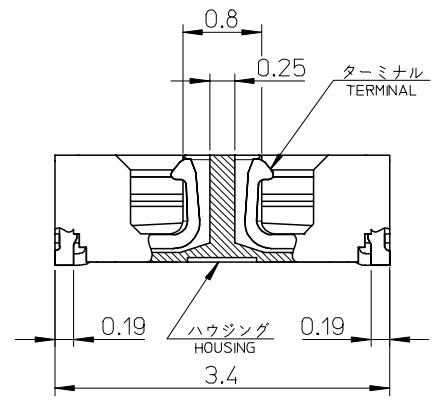
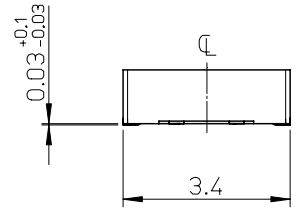
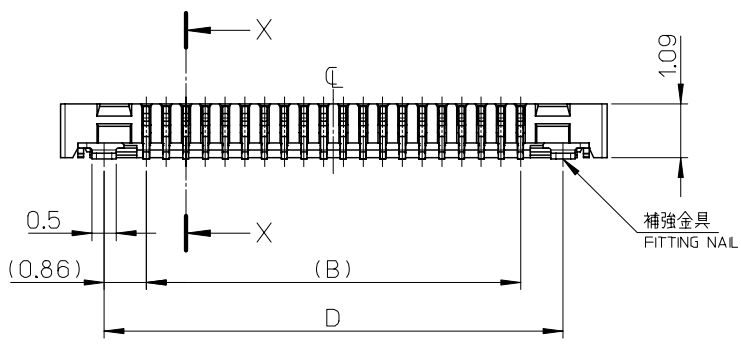
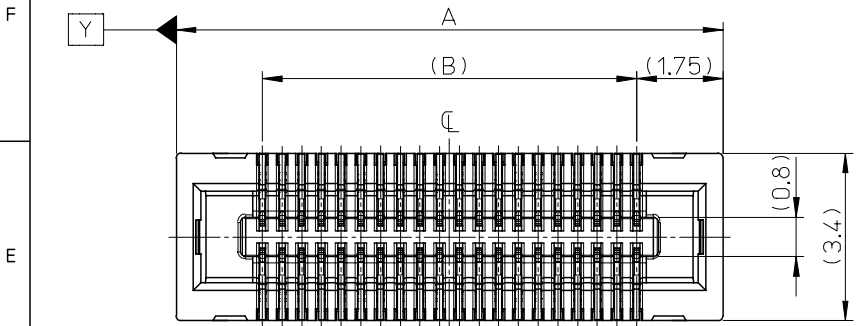
[501527Series](#)

**Mates With**

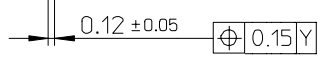
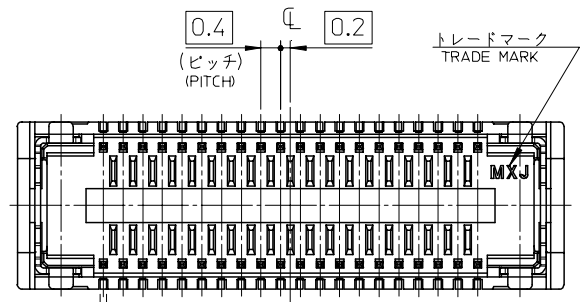
[501531 PCB Header](#)

**PLEASE CHECK [WWW.MOLEX.COM](http://WWW.MOLEX.COM) FOR LATEST PART INFORMATION**

10 9 8 7 6 5 4 3 2 1



SECTION X-X



9.32	7.6	11.1	501527-0419	40
8.12	6.4	9.9	501527-3419	34
D	B	A	MATERIAL No.	CKT.
			MODEL No. : 501527-**-19	

REVISED EC NO: J2007-1500 DR: W. H. Y. J. IMA 2006/11/28 CHK: K. KASAHARA 2006/11/29 APPR: N. KITA 2006/11/29	GENERAL TOLERANCES (UNLESS SPECIFIED)		DIMENSION STYLE MM ONLY		SCALE 10:1	DESIGN UNITS METRIC	THIRD ANGLE PROJECTION	
	10 UNDER	± 0.2	DRAWN BY	DATE	TITLE 0.4 B-TO-B CONN. HGT=1.3 REC ASSY -LEAD FREE-			
	10 <sup>0</sup> OVER 30 UNDER	± 0.25	RTAKEUCH	2006/01/20				
	30 <sup>0</sup> OVER	± 0.3	CHECKED BY	DATE	MOLEX INCORPORATED			
	ANGULAR	± 3 °	THIRATA	2006/01/20				
DRAFT WHERE APPLICABLE MUST REMAIN WITHIN DIMENSIONS		APPROVED BY	DATE	MATERIAL NO.		DOCUMENT NO.	SHEET NO.	
		MSASAO	2006/01/20	SEE CHART		SD-501527-003	1 OF 2	

10 9 8 7 6 5 4 3 2 1

F

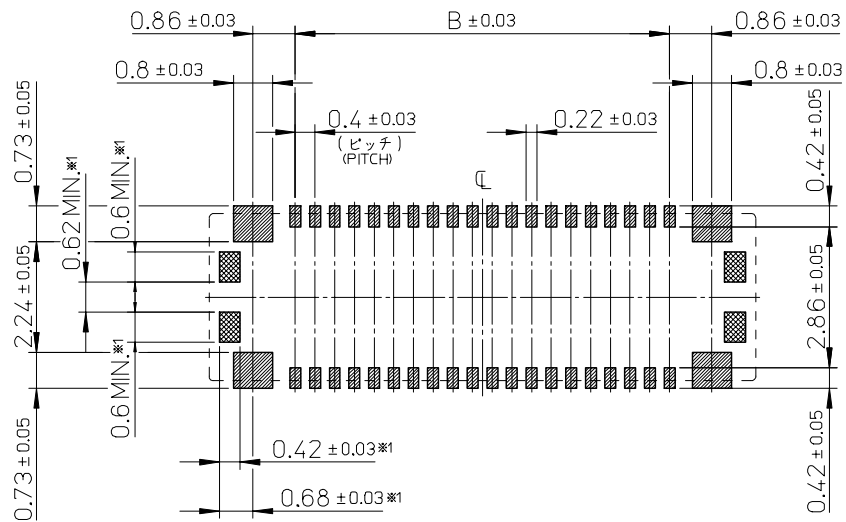
E

D

C

B

A



※1 : 補強金具部と同一回路以外のパターン(配線)引き回し禁止範囲を示す。

参考基板レイアウト(マウント面)  
P.C.BOARD PATTERN DIMENSION (REFERENCE)  
MOUNTING AREA

注記 NOTES

1. 使用材料 MATERIAL

ハウジング: 液晶ポリマー ( LCP ) ガラス充填 UL94V-0 ( 黒 )  
HOUSING: LIQUID CRYSTAL POLYMER (GLASS FILLED) UL94V-0 (COLOR: BLACK)  
ターミナル: りん青銅 (t=0.12)  
TERMINAL: PHOSPHOR BRONZE (t=0.12)  
金具: コルソン銅 (t=0.12)  
FITTING NAIL: CORSON TYPE COPPER ALLOY (t=0.12)

2. メッキ仕様 PLATING

ターミナル TERMINAL

金メッキ 0.2 マイクロメートル以上 (コンタクト部)  
GOLD 0.2 MICROMETER MINIMUM (CONTACT AREA)

金メッキ 0.4 マイクロメートル以下 (テール部)  
GOLD 0.4 MICROMETER MAXIMUM (TAIL AREA)

下地メッキ: ニッケルメッキ 1.5 マイクロメートル以上  
UNDER PLATING: NICKEL 1.5 MICROMETER MINIMUM

※コンタクト部とテール部はニッケルメッキによって分断されている金メッキです。  
DIVIDE INTO PARTS THE GOLD PLATING OF THE CONTACT AND THE TAIL PART BY THE NICKEL PLATING.

金具 FITTING NAIL

半田付け処理 (金・パラジウムコート)  
SOLDERABILITY IMPROVEMENT COAT (Au & Pd COAT)

下地メッキ: ニッケルメッキ 1.0 マイクロメートル以上  
UNDER PLATING: NICKEL 1.0 MICROMETER MINIMUM

△ (全極数 / 2) = 偶数の場合に適用。  
APPLY FOR (CIRCUIT/2)=EVEN.

4. 嵌合相手: 501531 シリーズ  
MATE WITH: 501531 SERIES.

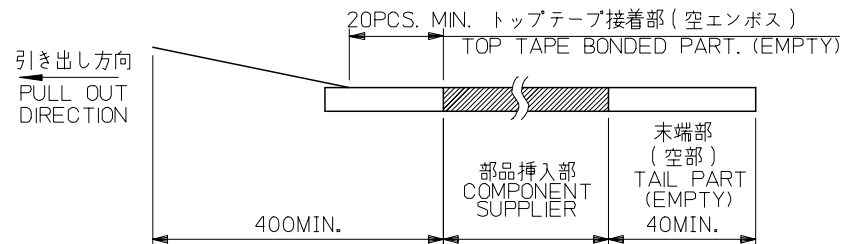
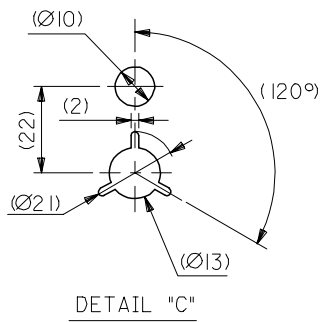
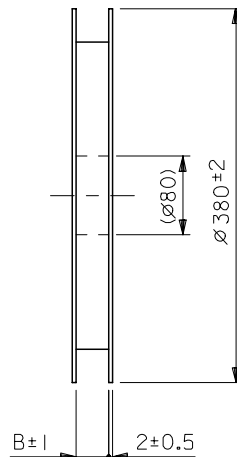
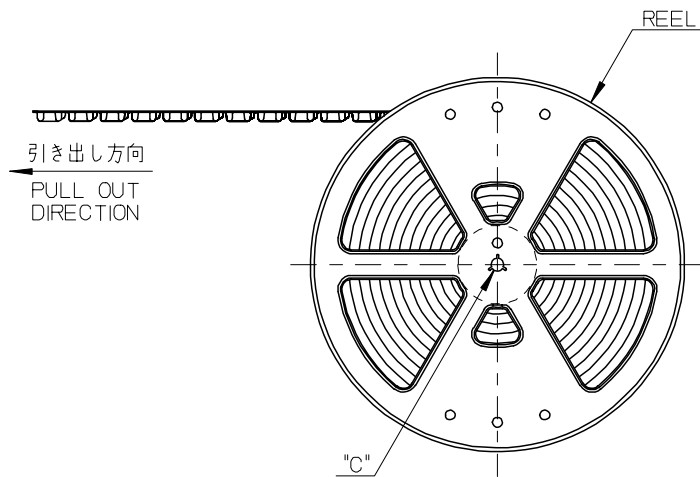
5. テール平坦度は、0.08 以下

テール及び金具の平坦度は、0.1 以下  
TAIL COPLANARITY TO BE 0.08 MAXIMUM.  
TAIL AND FITTING NAIL COPLANARITY TO BE 0.1 MAXIMUM.

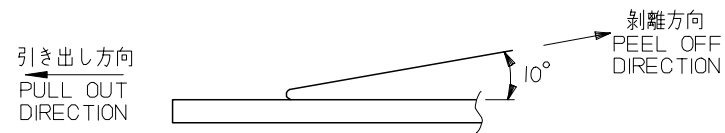
REVISED EC NO: J2007-1500 DR: N. H. YAJIMA 2006/11/28 CHK: K. KASAHARA 2006/11/29 APPR: NUKITA 2006/11/29	GENERAL TOLERANCES (UNLESS SPECIFIED)		DIMENSION STYLE MM ONLY		SCALE 10:1	DESIGN UNITS METRIC	THIRD ANGLE PROJECTION	
	10 UNDER	± 0.2	DRAWN BY RTAKEUCH	DATE 2006/01/20	TITLE 0.4 B-TO-B CONN. HGT=1.3 REC ASSY -LEAD FREE-			
	10 OVER 30 UNDER	± 0.25	CHECKED BY THIRATA	DATE 2006/01/20				
	30 OVER	± 0.3	APPROVED BY MSASAO	DATE 2006/01/20	MOLEX INCORPORATED			
ANGULAR	± 3 °	MATERIAL NO. SEE SHEET 1		DOCUMENT NO. SD-501527-003		SHEET NO. 2 OF 2		
DRAFT WHERE APPLICABLE MUST REMAIN WITHIN DIMENSIONS		THIS DRAWING CONTAINS INFORMATION THAT IS PROPRIETARY TO MOLEX INCORPORATED AND SHOULD NOT BE USED WITHOUT WRITTEN PERMISSION						

注記 NOTES

- 製品詳細寸法については製品単体図面を参照下さい。  
RE DETAILED DIMENSION, SEE PRODUCT DRAWING.
- 梱包数量：6000 個/リール  
NUMBER OF CONNECTORS : 6000PCS/REEL
- リードテープ長さ LEAD TAPE LENGTH



- トップテープの剥離強度：0.1N~1.3N(10gf~130gf)  
(剥離方向は下図参照)  
尚、本規格値は出荷時に適用。(但し、輸送時に剥離が発生しないこと。)  
PEELING OFF FORCE OF TOP TAPE : 0.1N~1.3N(10gf~130gf)  
(PEELING DIRECTION AS SHOWN IN FOLLOWING FIG.)  
THIS REQUIREMENT SHOULD BE APPLIED AT SHIPMENT.  
PEEL OFF SHOULD NOT BE ALLOWED , DURING TRANSPORTION.



- 材料 MATERIAL  
キャリアテープ (CARRIER TAPE) : ポリスチレン (POLYSTYRENE)  
トップテープ (TOP TAPE) : PET , PE , PEF  
リール (REEL) : ポリスチレン (PS) <リサイクル材を含む>  
POLYSTYRENE (PS) <RECYCLE MATERIAL CONTAINED>

MODEL NO. 501527-\*\*10

REVISED EC NO: J2007-0841 DRW:HYAJIMA 2006/10/03 CHKD:KASAHARA 2006/10/04 APPR:NUKITA 2006/10/05	GENERAL TOLERANCES (UNLESS SPECIFIED)	DIMENSION STYLE MM ONLY	SCALE ---	DESIGN UNITS METRIC	THIRD ANGLE PROJECTION
	10 UNDER ±---	DRAWN BY RTAKEUCHI	DATE 2006/01/20	TITLE 0.4 B-TO-B CONN. HGT=1.3 REC ASSY	
	10 OVER 30 UNDER ±---	CHECKED BY THIRATA	DATE 2006/01/20	EMBSTP PKG -LEAD FREE-	
	30 OVER ±---	APPROVED BY MSASAO	DATE 2006/01/20	MOLEX INCORPORATED	
A	ANGULAR ±---°	MATERIAL NO. SEE CHART	DOCUMENT NO. SD-501527-004	SHEET NO. 1 OF 2	
	DRAFT WHERE APPLICABLE MUST REMAIN WITHIN DIMENSIONS	SIZE A3	THIS DRAWING CONTAINS INFORMATION THAT IS PROPRIETARY TO MOLEX INCORPORATED AND SHOULD NOT BE USED WITHOUT WRITTEN PERMISSION		

10 9 8 7 6 5 4 3 2 1

F

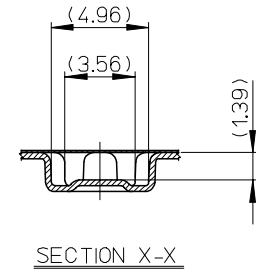
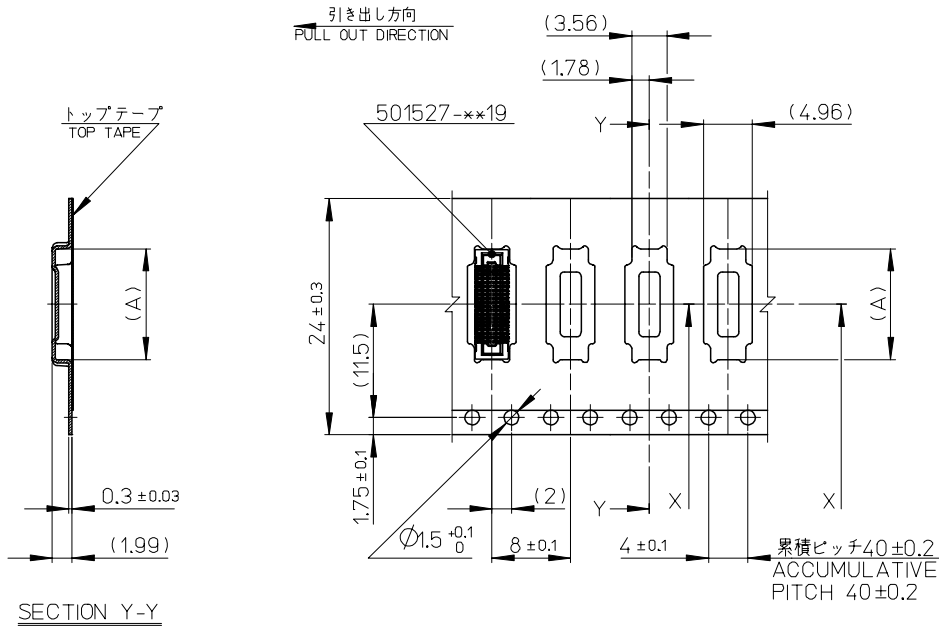
E

D

C

B

A



24mm 幅キャリアテープ  
24mm WIDTH CARRIER TAPE

24	25.5	11.26	501527-0410	40
		10.06	501527-3410	34
キャリアテープ幅 CARRIER TAPE WIDTH	B	(A)	MATERIAL No.	CKT.
			MODEL No.	501527-**10

REVISED EC NO: J2007-0841 DR: W. H. YAJIMA 2006/10/03 CH: K. KASAHARA 2006/10/04 APPR: NUKITA 2006/10/05	GENERAL TOLERANCES (UNLESS SPECIFIED)		DIMENSION STYLE MM ONLY	SCALE ---	DESIGN UNITS METRIC	THIRD ANGLE PROJECTION
	10 UNDER	± ---	DRAWN BY RTAKEUCHI	DATE 2006/01/20	TITLE 0.4 B-TO-B CONN. HGT=1.3 REC ASSY	
	10 OVER 30 UNDER	± ---	CHECKED BY THIRATA	DATE 2006/01/20	EMBSTP PKG -LEAD FREE-	
	30 OVER	± ---	APPROVED BY MSASAO	DATE 2006/01/20	MOLEX INCORPORATED	
	ANGULAR ± --- °	DRAFT WHERE APPLICABLE MUST REMAIN WITHIN DIMENSIONS	MATERIAL NO. SEE CHART	DOCUMENT NO. SD-501527-004	SHEET NO. 2 OF 2	

9

8

7

6

5

4

3

2