

**PLEASE CHECK WWW.MOLEX.COM FOR LATEST PART INFORMATION**

**Part Number:** [0351551111](#)  
**Status:** **Active**  
**Description:** 2.50mm (.098") Pitch Wire-to-Board Housing, Positive Lock, Black, 11 Circuits

**Documents:**

[3D Model](#) [Product Specification PS-35155-003 \(PDF\)](#)  
[Drawing \(PDF\)](#) [RoHS Certificate of Compliance \(PDF\)](#)

**Agency Certification**

CSA	LR19980
TUV	R72081037
UL	E29179

**General**

Product Family	Crimp Housings
Series	<a href="#">35155</a>
Product Name	N/A

**Physical**

Breakaway	No
Circuits (maximum)	11
Color - Resin	Natural
Flammability	94V-0
Gender	Female
Glow-Wire Compliant	No
Keying to Mating Part	None
Lock to Mating Part	Yes
Material - Resin	Polyester
Number of Rows	1
Packaging Type	Bag
Panel Mount	No
Pitch - Mating Interface (in)	0.098 In
Pitch - Mating Interface (mm)	2.50 mm
Polarized to Mating Part	Yes
Temperature Range - Operating	-40°C to +105°C

**Material Info**

**Reference - Drawing Numbers**

Product Specification	PS-35155-003
Sales Drawing	SD-35155-001



**EU RoHS**

**ELV and RoHS  
Compliant**  
**REACH SVHC  
Not Reviewed**  
**Halogen-Free  
Status**

**China RoHS**



**Need more information on product  
environmental compliance?**

Email [productcompliance@molex.com](mailto:productcompliance@molex.com)  
For a multiple part number RoHS Certificate of Compliance, [click here](#)

Please visit the [Contact Us](#) section for any non-product compliance questions.

**Search Parts in this Series**

[35155Series](#)

**Mates With**

[35312](#) Vertical Shrouded Header, [35184](#) Wire-to-Wire Plug Housing

**Use With**

[5103](#) SPOX™ Crimp Terminal

DO NOT SCALE DRAWING DIMENSION IN METRIC

DWG. NO. SD-35155-001

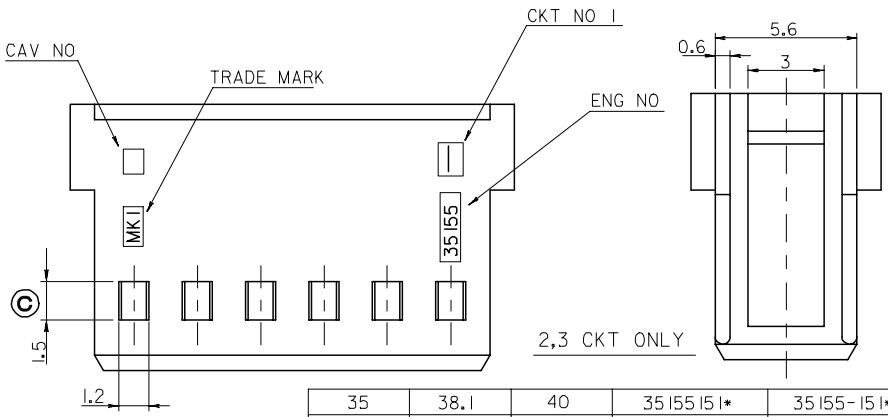
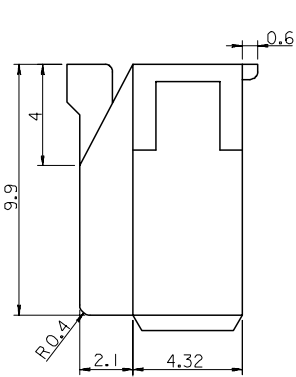
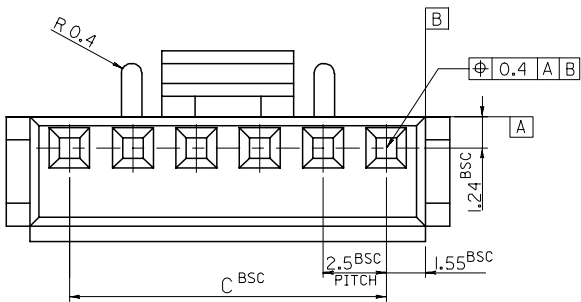
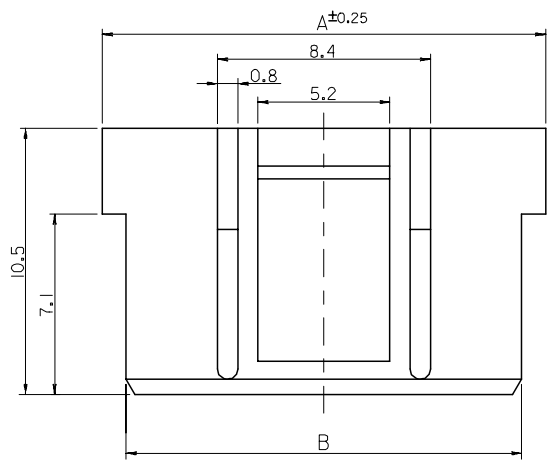
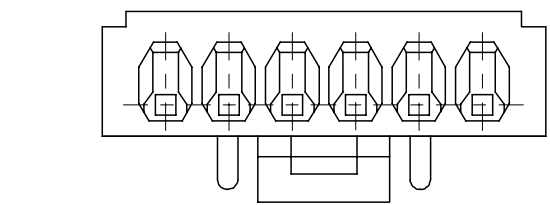
PROJECT NO. 35155-\*\*\*0\*

SIMILAR ITEM

PROJECT NO.

PROJECT NO.

8 7 6 5 4 3 2 1



LEGEND

35155 - \*\* I \*

COLOR : 0 --- NATURAL  
 1 --- BLACK  
 2 --- RED  
 3 --- YELLOW  
 4 --- BLUE

CKT (02,03,04 ...)

35	38.1	40	35155151*	35155-151*	15
32.5	35.6	37.5	141*	-141*	14
30	33.1	35	131*	-131*	13
27.5	30.6	32.5	121*	-121*	12
25	28.1	30	111*	-111*	11
22.5	25.6	27.5	101*	-101*	10
20	23.1	25	091*	-091*	9
17.5	20.6	22.5	081*	-081*	8
15	18.1	20	071*	-071*	7
12.5	15.6	17.5	061*	-061*	6
10	13.1	15	051*	-051*	5
7.5	10.6	12.5	041*	-041*	4
5	8.1	10	031*	-031*	3
2.5	5.6	7.5	35155021*	35155-021*	2
C	B	A	MATERIAL NO.	ENG NO.	CKT.

- NOTE
- MATERIAL ; PBT UL 94V-0
  - USED WITH TERMINAL : 5103-PBT9
  - MATED WITH WAFER ASS'Y : 35312-\*\*\*\*

<p><b>Revised</b></p> <p>ECN NO. KOR2006-0105                  DRWN: J.H.Lee 0/03/22                  CHK: Y.SooKim 05/12/12                  APPR: S.H.Chol</p>	<p>QUALITY SYMBOLS</p> <p>MAJOR                  CRITICAL</p>	<p>GENERAL TOLERANCES: (UNLESS SPECIFIED)</p> <table border="1"> <tr> <td></td> <td>mm</td> <td>INCH</td> </tr> <tr> <td>4 PLACES</td> <td>±0.</td> <td>±</td> </tr> <tr> <td>3 PLACES</td> <td>±0.</td> <td>±</td> </tr> <tr> <td>2 PLACES</td> <td>±0.</td> <td>±</td> </tr> <tr> <td>1 PLACE</td> <td>±0.1</td> <td>±</td> </tr> </table>		mm	INCH	4 PLACES	±0.	±	3 PLACES	±0.	±	2 PLACES	±0.	±	1 PLACE	±0.1	±	<p>SCALE 5-1</p> <p>DESIGN UNITS <input checked="" type="checkbox"/> mm <input type="checkbox"/> INCH</p>	<p>THIRD ANGLE PROJECTION</p>	<p>TITLE: 2.5 PITCH W/B CONN. HOUSING (WITH LOCK)</p>	<p>SHT REV</p>
				mm	INCH																
4 PLACES	±0.	±																			
3 PLACES	±0.	±																			
2 PLACES	±0.	±																			
1 PLACE	±0.1	±																			
<p>APPROVED BY &amp; DATE                  C.W.Lee 04/08/26</p>	<p>CAD FILENAME SD-35155-001</p>		<p>MATERIAL NO. SEE TABLE</p>	<p>DRAWING NO. SD-35155-001</p>	<p>SHEET NO. 1/1</p>																
<p>DRAFT WHERE APPLICABLE MUST REMAIN WITHIN DIMENSIONS</p>		<p>THIS DRAWING CONTAINS INFORMATION THAT IS PROPRIETARY TO MOLEX INCORPORATED AND SHOULD NOT BE USED WITHOUT WRITTEN PERMISSION.</p>			<p>SIZE B</p>																

8 7 6 5 4 3 2 1 KOREA MX-A3