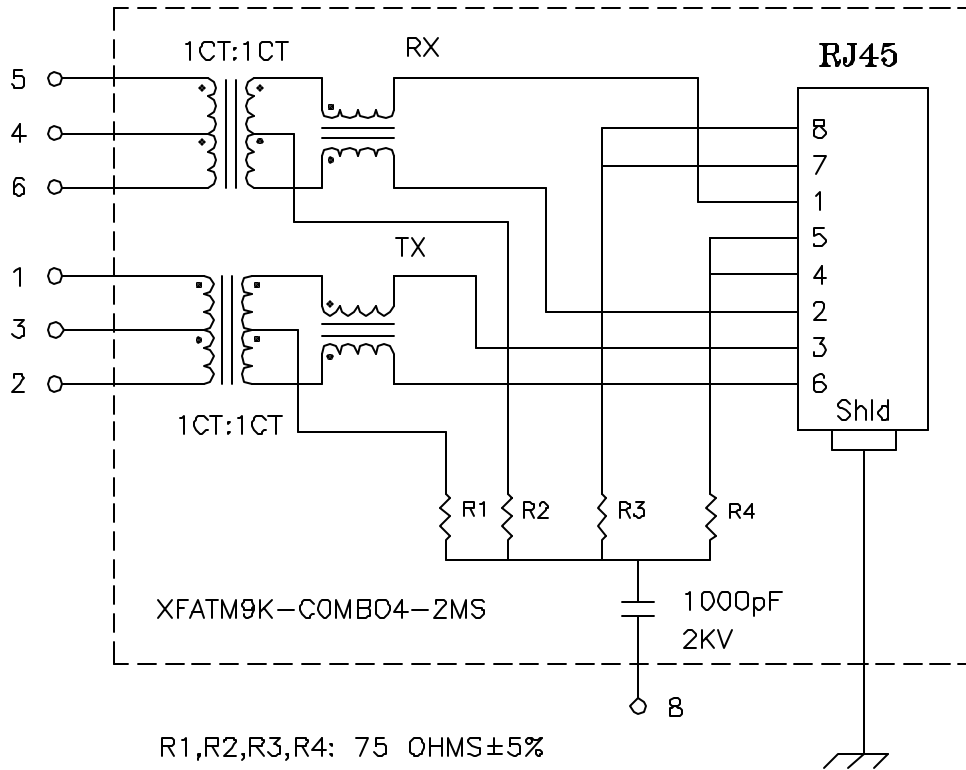


Schematic:



R1,R2,R3,R4: 75 OHMS±5%

Electrical Specifications: @25°C

- Isolation Voltage: 1500 Vrms (Input to Output)
- Isolation Voltage: 500 Vrms (P1+2+3 to P4+5+6)
- Turns Ratio: TX 1CT:1CT ±3% RX 1CT:1CT ±3%
- CABLE SIDE OCL: 350uH Minimum @100KHz 100mV 8mADC
- Cw/w: 27pF Typical @100KHz 100mV
- Insertion Loss (300KHz-100MHz): -1.0dB Maximum
- Return Loss: @30MHz -18dB Minimum
- @80MHz -12dB Minimum

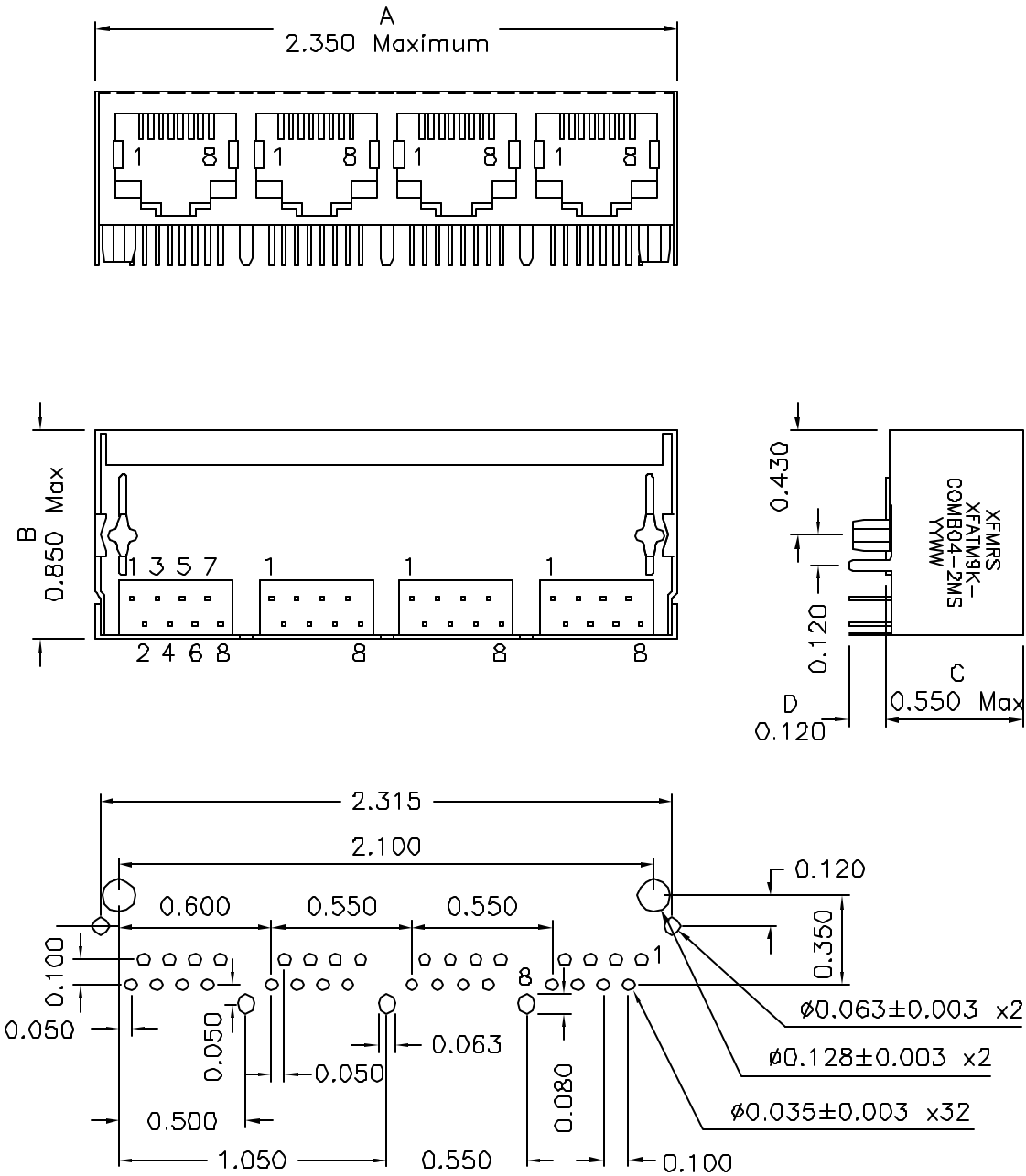
Notes:

1. Solderability: Leads shall meet MIL-STD-202, Method 208D for solderability.
2. Flammability: UL94V-0
3. ASTM oxygen index: > 28%
4. Insulation System: Class F 155°C, UL file E151556
5. Operating Temperature Range: All listed parameters are to be within tolerance from -40°C to +85°C
6. Storage Temperature Range: -55°C to +125°C
7. Aqueous wash compatible

DOC. REV: A/1

XFMRs Inc.	Title: FOUR PORT COMBO		
	UNLESS OTHERWISE SPECIFIED	P/N: XFATM9K-COMB04-2MS	REV. A
TOLERANCES: .xx ±0.25	DWN.	罗振江	Aug-07-03
Dimensions in MM	CHK.	廖玉坤	Aug-07-03
SHEET 1 OF 2	APP.	Isaiah M	Aug-07-03

Mechanical Dimensions: (FOR COMB04-2MS)



SUGGESTED MOUNTING PATTERN

DOC. REV: A/1

XFMRs Inc.	Title: Mechanical Dimensions For COMB04-2MS Series	
UNLESS OTHERWISE SPECIFIED TOLERANCES: .xxx ±0.010 Dimensions in Inch	P/N:XFATM9K-COMB04-2MS	REV. A
	DWN. 罗振江	Aug-07-03
SHEET 2 OF 2	CHK. 廖玉坤	Aug-07-03
	APP. Isaiah M	Aug-07-03