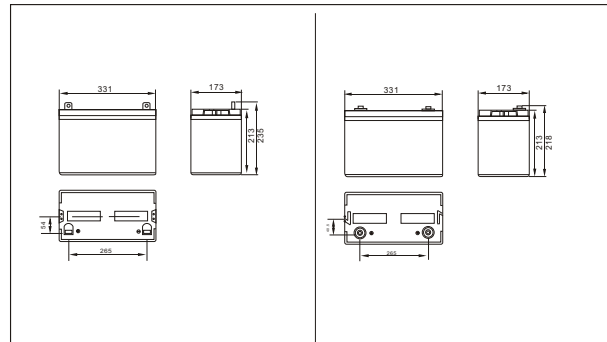




Sw121100(12V110AH)



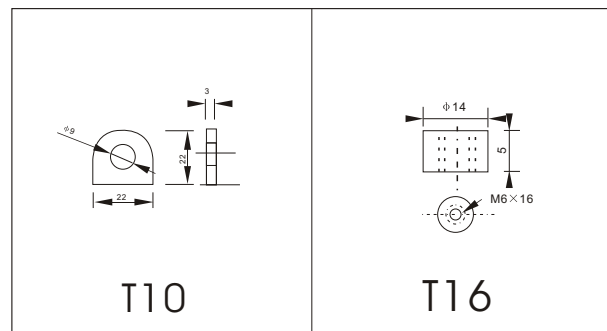
Outer dimensions (mm)



Specifications

| | | | |
|------------------------------|--------------|----------------------|----------------------|
| Nominal Voltage | | 12 V | |
| Rated capacity (10hour rate) | | 110Ah | |
| Dimensions | Total Height | T10 | 235 mm (9.25inches) |
| | | T16 | 218 mm (8.58 inches) |
| | Height | 213 mm (8.39inches) | |
| | Length | 331 mm (13.0inches) | |
| Width | | 173 mm (6.81 inches) | |
| Weight Approx | | 33 Kg (72.9 lbs) | |

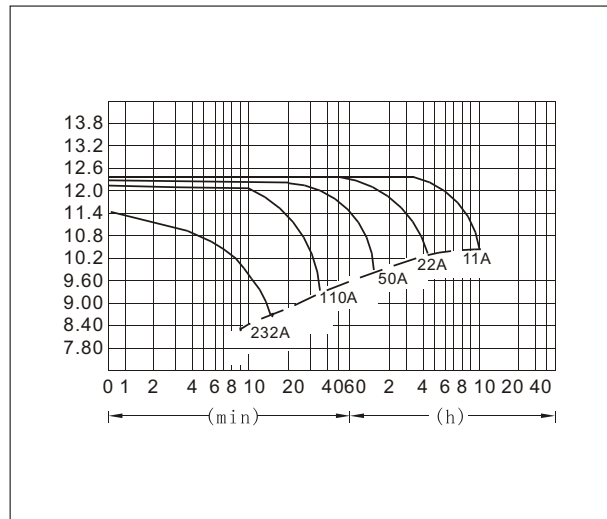
Terminal Type (mm)



Characteristics

| | | |
|--|---|---|
| Capacity 25°C(77°F) | 10 hour rate(10.0 A) 5 hour rate(16.0 A) 1 hour rate(60.0 A) | 100 AH 80 AH 60 AH |
| Internal Resistance | Full charged Battery at 25°C(77°F) | 3.5 mΩ |
| Capacity affected by Temperature (10hour rate) | 40°C(104°F) 25°C(77°F) 0°C(32°F) -15°C(5°F) | 102% 100% 85% 65% |
| Self-Discharge at 25°C(77°F) | Capacity after 3 month storage Capacity after 6 month storage Capacity after 12 month storage | 91% 82% 64% |
| Terminal | T10、T16 | |
| Charge (constant Voltage) | Cycle | Initial Charging Current less than 44 A Voltage 14.10-14.40V |
| | Float | Voltage 13.50-13.80V |

Discharge Curves 25°C(77°F)



Constant Current(Amp) and Constant Power(Watt) Discharge Table at 25°C(77°F)

| Time | | 5min | 10min | 15min | 30min | 1h | 2h | 3h | 4h | 5h | 8h | 10h | 20h |
|-------|---|--------|--------|--------|--------|-------|-------|-------|-------|-------|-------|-------|------|
| 960V | A | 352.3 | 232.1 | 187.1 | 125.4 | 66.0 | 38.5 | 28.3 | 22.0 | 18.2 | 12.9 | 11.6 | 6.2 |
| | W | 3636.0 | 2478.8 | 2006.2 | 1348.3 | 712.8 | 422.7 | 314.6 | 247.5 | 206.4 | 147.5 | 133.4 | 72.5 |
| 1020V | A | 341.2 | 209.4 | 176.2 | 119.9 | 62.0 | 36.7 | 27.5 | 21.5 | 17.8 | 12.5 | 11.3 | 6.1 |
| | W | 3644.2 | 2338.6 | 1971.9 | 1346.0 | 701.7 | 423.5 | 318.5 | 249.4 | 207.7 | 146.7 | 133.1 | 71.0 |
| 1050V | A | 330.1 | 187.3 | 154.1 | 112.2 | 60.1 | 35.9 | 26.8 | 21.1 | 17.6 | 12.4 | 11.1 | 6.1 |
| | W | 3604.8 | 2131.1 | 1758.7 | 1291.2 | 695.5 | 415.9 | 312.7 | 247.1 | 206.3 | 146.2 | 131.5 | 71.5 |
| 1080V | A | 318.1 | 176.6 | 143.2 | 103.4 | 58.1 | 35.0 | 26.2 | 20.8 | 17.2 | 12.1 | 11.0 | 5.9 |
| | W | 3569.3 | 2036.0 | 1649.9 | 1198.0 | 676.1 | 409.7 | 308.7 | 245.5 | 202.8 | 143.4 | 130.7 | 70.7 |
| 1110V | A | 307.5 | 165.4 | 132.2 | 92.4 | 56.1 | 34.1 | 25.3 | 20.2 | 16.7 | 11.8 | 10.5 | 5.6 |
| | W | 3486.5 | 1915.8 | 1539.0 | 1081.1 | 659.7 | 403.1 | 300.6 | 241.1 | 199.5 | 141.0 | 126.2 | 68.0 |