

T1/E1/CEPT/ISDN-PRI TRANSFORMER

P/N: S1030 DATA SHEET

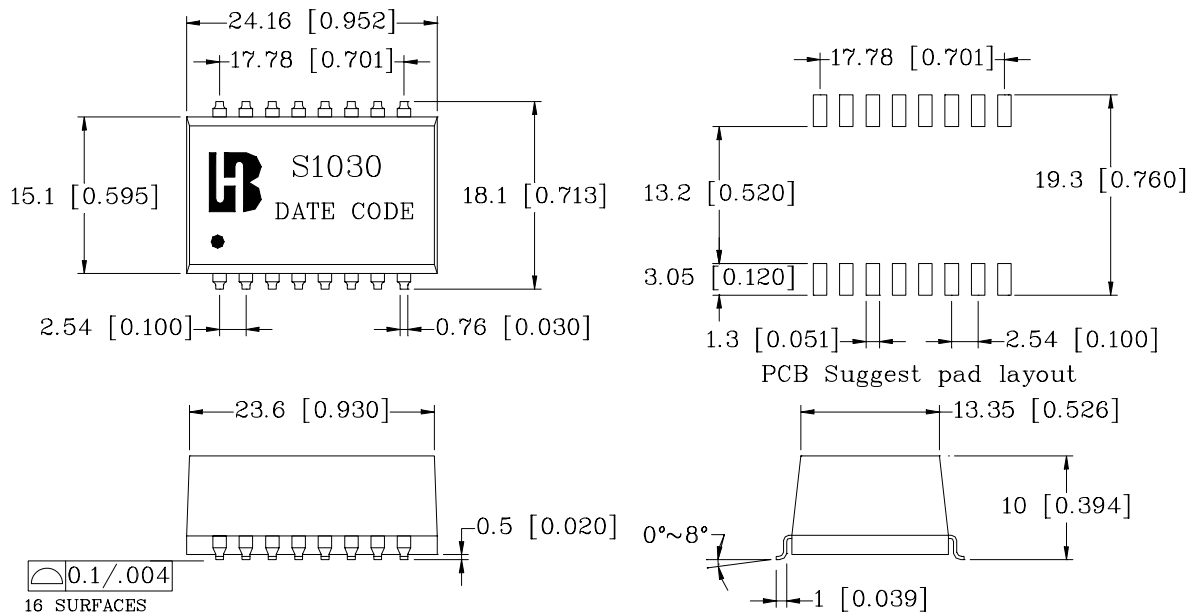
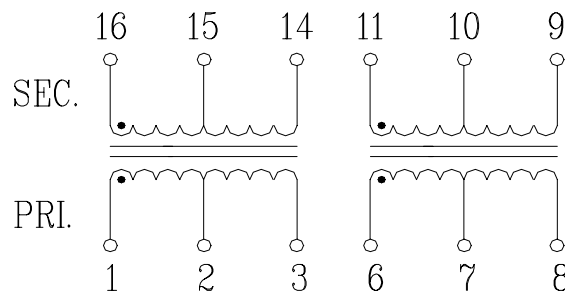
A. General Specifications

1. Dual surface mount package contains both transmit and receive transformers .
2. Models matched to leading transceiver ICs .

B. Electrical Specifications@25°C :

1. Turn Ratio (Pri:Sec±2%) : 1CT:CT & 1CT:CT
2. OCL Inductance : 1.20mH Min & 1.20mH Min
3. Cw/w : 15pF Max & 15pF Max
4. DCR (Pri.) : 1.0 Ω Max. & 1.0 Ω Max
5. DCR (Sec.) : 1.0 Ω Max. & 1.0 Ω Max
6. Primary Pins : 1-3, 6-8

C. Schematic & Mechanical :



Dimensions: mm[Inches] Tolerances: ±0.25[0.01]