

# LXV100 series

## LED Power Supply

### Constant Voltage Power Supplies

LED Power  
100W

#### LED POWER

next generation power source

#### FEATURES

- High Efficiency 93%
- IP67 Waterproof
- Active PFC (Typical 0.96)
- OVP, SCP, OTP
- -35 to 70°C deg operation
- Wide Input 90-305VAC option
- UL8750 recognised
- EN61347-1, -2-13 compliant

The LXV100 series of constant voltage LED power supplies from Excelsys Technologies can deliver up to 100W of output power in an extremely compact package size.

The LXV100 series of constant voltage power supplies provides a range of output voltage solutions for specific LED requirements. With industry leading efficiencies, and an extensive protection feature set, the LXV100 series provides high reliability and high performance in a compact package. The LXV100 series carries the CE mark for safety and is also RoHS compliant. For more details contact [sales@excelsys.com](mailto:sales@excelsys.com)

Model Number	Output Voltage	Output Current	Input Voltage	OVP Max	OCP Hiccup	Efficiency
LXV100-012S	12V	8.33A	90-264VAC <sup>(3)</sup>	16V	110-180%	91.0%
LXV100-024S	24V	4.05A	90-264VAC <sup>(3)</sup>	34V	110-180%	93.0%
LXV100-036S	36V	2.75A	90-264VAC <sup>(3)</sup>	50V	110-180%	93.0%
LXV100-042S	42V	2.25A	90-264VAC <sup>(3)</sup>	57V	110-180%	93.0%
LXV100-048S	48V	1.95A	90-264VAC <sup>(3)</sup>	63V	110-180%	92.0%
LXV100-054S	54V	1.75A	90-264VAC <sup>(3)</sup>	75V	110-180%	93.0%
LXV100-081S	81V	1.23A	90-264VAC <sup>(3)</sup>	100V	110-180%	93.0%
LXV100-105S	105V	0.95A	90-264VAC <sup>(3)</sup>	140V	110-180%	93.0%

#### Input Specifications

Parameter	Conditions/Description	Min	Nom	Max	Units
Input Voltage Range	Universal Input. see Note 3	90		264/305	VAC
Input Frequency Range		47		63	Hz
Input Current	100VAC in, 100W output			1.20	A
Inrush Current	220VAC in, 25°C, Cold Start			65	A
Power Factor	220VAC, 110VAC	0.96		0.99	

#### Output Specifications

Parameter	Conditions/Description	Min	Nom	Max	Units
Line Regulation				±1	%
Load Regulation				±2	%
Voltage Accuracy	% of Vout			±5	%
Ripple and Noise	20MHz Bandwidth. See Note 1			1.5	% pk-pk
Dynamic Response	Output Deviation R/S : 1 A/uS Settling Time Load : 25% ~ 75% full Load			5 10	% mS
Overshoot				10	%
Turn-on Delay	Measured at 220VAC and full load			3	s
Short Circuit Protection	Auto Recovery				
Over Voltage Protection	Latching. See individual models OVP levels				
OverTemperature Protection	Internal Component Temperature			110	°C

#### General Specifications

Parameter	Conditions/Description	Min	Nom	Max	Units
Isolation Voltage	Input to Output See Note 2 Input to Chassis	3000 1500			VAC VAC
Efficiency	See individual models		93.0		%
Safety Agency Approvals	UL8750, EN61347-1, -2-13				
No load Power Dissipation	Measured at 120VAC and 220VAC			1.5	W
MTBF	Telecordia SR-33, 25°C		2,000,000		Hours
Lifetime	25°C		100,000		Hours
Weight			950		g
Operating Temperature		-35		+70	°C
Storage Temperature		-40		+85	°C
Relative Humidity	Non-condensing (operating)	10		100	%RH

Note 1. Output connected in parallel with 0.1uF ceramic capacitor and 10uF electrolytic capacitor.  
 Note 2. Primary to Secondary Isolation test not to be carried on power supply.  
 Note 3. 90-305VAC input voltage range available. Add Suffix "W" to part number e.g. LXV100-012SW



#### Europe/Asia

Excelsys Technologies Ltd  
 27 Eastgate Drive  
 Eastgate Business Park  
 Little Island, Cork, Ireland  
 IRELAND

t: +353 21 4354716  
 f: +353 21 4354864  
 e: [sales@excelsys.com](mailto:sales@excelsys.com)

#### North America

Excelsys Technologies  
 519 Interstate 30, #309  
 Rockwall, TX 75087  
 USA

t: (972) 771 4544  
 f: (972) 421 1805  
 e: [salesusa@excelsys.com](mailto:salesusa@excelsys.com)

EMC				
Parameter	Standard		Level	Units
<b>Emissions</b>				
Conducted	EN55015		Level B	
Radiated	EN55015		Level B	
Harmonic Distortion	EN61000-3-2		Compliant	
Flicker and Fluctuation	EN61000-3-3		Compliant	
<b>Immunity</b>				
ESD	EN61000-4-2		Level 4	
Radiated RFI	EN61000-4-3		Level 3	
Fast Transients - burst	EN61000-4-4		Level 4	
Input Line Surges	EN61000-4-5		Level 4	
Conducted RFI	EN61000-4-6		Compliant	
Power Freq Magnetic Field	EN61000-4-8		Compliant	
Voltage Dips	EN61000-4-11		Compliant	

**INPUT / OUTPUT WIRING**

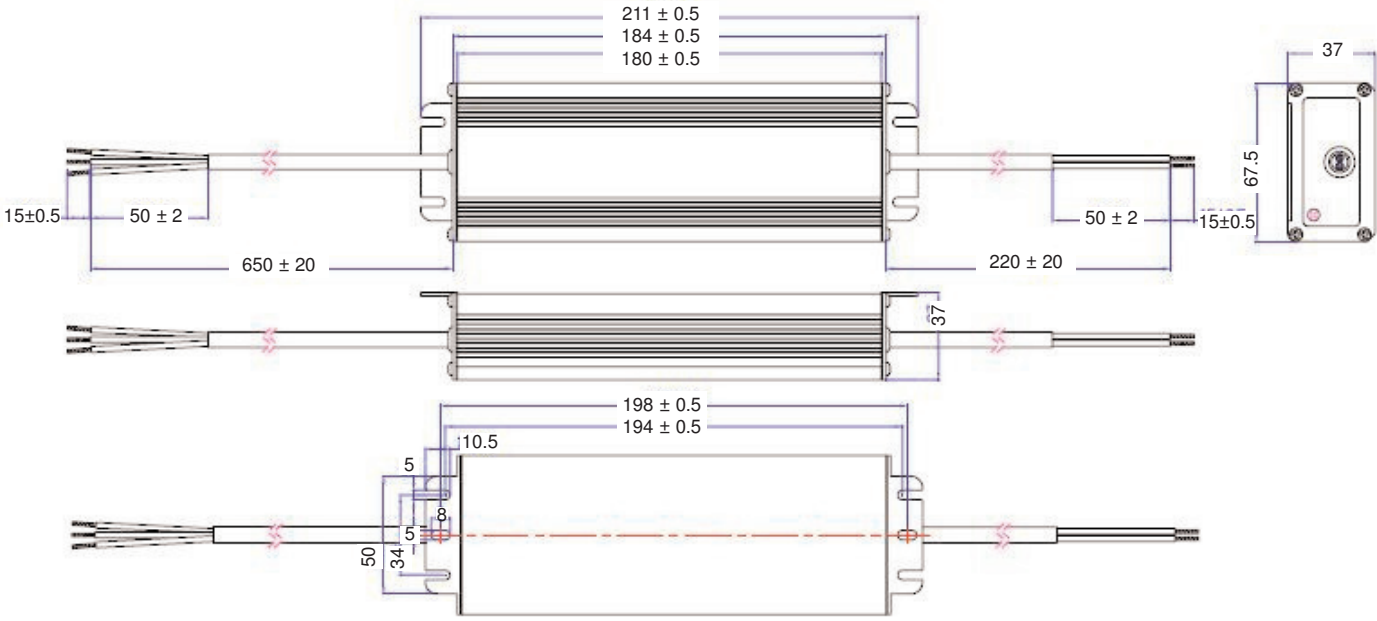
**INPUT CABLE**

SJTW 18AWG 3C  
Black (L) and White(N), Green(E) 650±20mm

**OUTPUT CABLE**

SJTW 18AWG 2C  
Black (-V) and Red (+V) 220±20mm

**MECHANICAL SPECIFICATIONS**



All Tolerances ± 0.2mm unless specified

Specifications subject to change without notice



<b>Europe/Asia</b>		<b>North America</b>	
Excelsys Technologies Ltd	t: +353 21 4354716	Excelsys Technologies	t: (972) 771 4544
27 Eastgate Drive	f: +353 21 4354864	519 Interstate 30, #309	f: (972) 421 1805
Eastgate Business Park	e: sales@excelsys.com	Rockwall, TX 75087	e: salesusa@excelsys.com
Little Island, Cork, Ireland		USA	
<b>IRELAND</b>			