

Linear Choke, compact



Description

- Linear choke
- THT-terminals
- Inductor vertically positioned in housing
- SMD version on request

Standards

- EN 60938

Applications

- Smoothing RFI suppression choke
- RFI suppression choke
- Chopper amplifiers
- DC drives and stepper motor controls
- Switching power supplies

References

[General Product Information](#)

Weblinks

[Approvals](#), [RoHS](#), [CHINA-RoHS](#), [e-Store](#), [Distributor-Stock-Check](#)

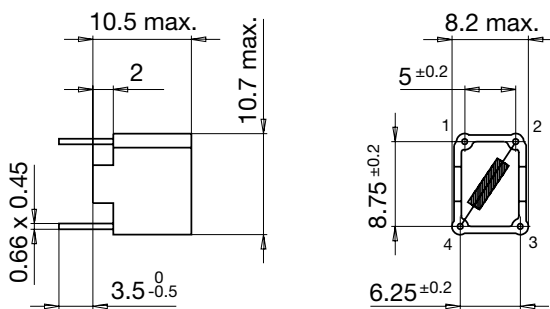
Technical Data

Rated voltage	up to 600 VDC
Rated Current	0.6 - 1 A @ Ta 70 °C
Rated inductance	0.05 - 0.1 mH, Tol. ±15%
Power Operating Frequency	50 - 400 Hz
Terminal technic	THT
Weight	1 g
Material: Housing	UL 94V-0
Sealing Compound	UL 94V-0

Isolation Voltage	2 kV eff., winding to ambient
Climatic Category	40/125/21 acc. to IEC 60068-1
Allowable Operation Temp.	-40 °C to 125 °C

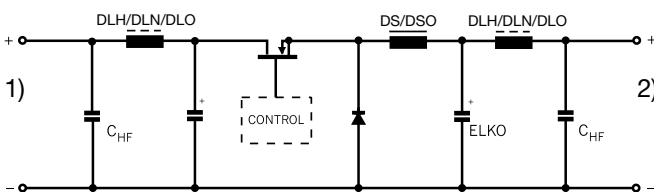
Dimensions

Case 48-1



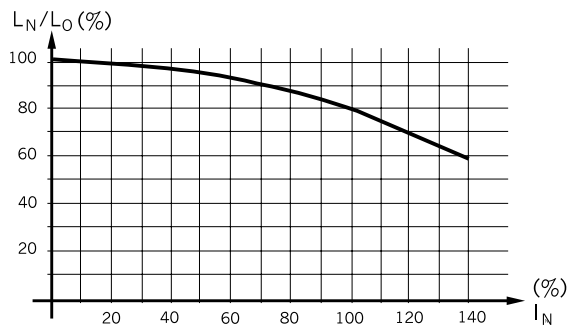
Diagrams

Application in DC-DC Converter



- 1) DC-Input unregulated
- 2) DC-Output regulated

Derating Curves



Inductance variation as function of the magnetizing current

Variants

I_n [A]	L_n [mH]	R_{Cu} [mΩ]	f_{RES} [MHz]	Weight [g]	Housing	Packing unit [pcs.]	Order Number
0.6	0.1	600	9	1	48-1	176	DLNP-6148-D6D1
1	0.05	280	15	1	48-1	176	DLNP-6148-01C5