

8000A Series

Tubeaxial

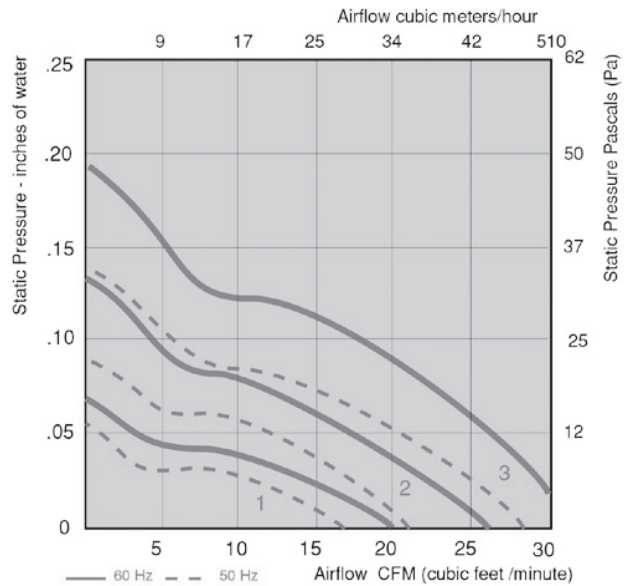
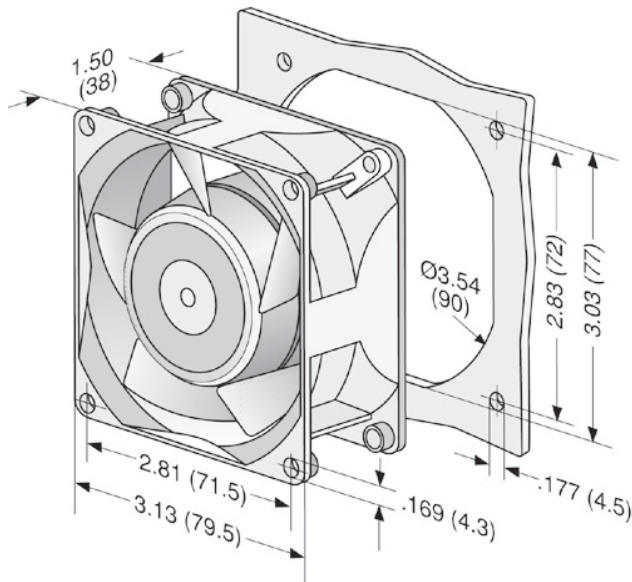
80x80x38mm

- AC fans with external rotor shaded-pole motor. Impedance protected against overloading.
- Metal fan housing and impeller.
- Air intake over struts. Rotational direction CW looking at rotor.
- Mounting from either face using four 4.3 mm holes.
- Electrical connection via 2 flat pins 2.8 x 0.5 mm.
- Fan housing with ground lug and screw M 4 x 8 (TORX).
- UL, CSA, VDE approvals on some models, please contact application engineering.

Part Number	Curve	CFM @ 0	VAC	Hertz	Power (W)	dBA	Max Amb. Temp C	Bearing Type	Speed (RPM)	Features	Wgt. (lbs)
8830A	1	20	115	50/60	8	29	80	Sintec	1950	Terminals	1.06
8800A	2	27	115	50/60	11	34	70	Sintec	2500	Terminals	1.06
8500A	3	34	115	50/60	11	41	75	Sintec	3200	Terminals	1.06
8880A	1	20	230	50/60	8	29	80	Sintec	1750	Terminals	1.06
8850A	2	27	230	50/60	11	34	70	Sintec	2150	Terminals	1.06
8550A	3	34	230	50/60	11	41	75	Sintec	2700	Terminals	1.06
8556A	3	34	230	50/60	11	42	95	Ball	2800	Terminals	1.06

Available on request:

- electrical connection via single leads
- air exhaust over struts, rotational direction CW



ebmpapst

e-mail: sales@us.ebmpapst.com · TEL: 860-674-1515 · FAX: 860-674-8536

ebm-papst Inc., 100 Hyde Road, Farmington, CT 06034 USA

ebm-papst Inc., 2004 © ebm-papst Inc. reserves the right to change any specifications or data without notice