

PLEASE CHECK WWW.MOLEX.COM FOR LATEST PART INFORMATION

Part Number: **0740760006**
Status: **Active**
Overview: vhdm_hsd
Description: VHDM-HSD™ Free-Standing Guide Pin

Documents:

[Drawing \(PDF\)](#) [RoHS Certificate of Compliance \(PDF\)](#)

General

Product Family	Backplane Connectors
Series	74076
Application	Backplane
Application Tooling Documents	Tooling Manual
Comments	Dimension C = 6/8 row
Component Type	Guide
Overview	vhdm_hsd
Product Name	VHDM®, VHDM-HSD™
Style	N/A

Physical

Circuits (Loaded)	0
Circuits (maximum)	0
Durability (mating cycles max)	200
Keying to Mating Part	None
Number of Columns	N/A
Number of Pairs	Open Pin Field
Number of Rows	0
Orientation	N/A
PCB Retention	None
PCB Thickness Recommended (in)	0.157 In, 0.354 In
PCB Thickness Recommended (mm)	4.00 mm, 9.00 mm
Packaging Type	Bag
Pitch - Mating Interface (in)	0.000 In
Pitch - Mating Interface (mm)	0.00 mm
Stackable	No
Surface Mount Compatible (SMC)	No
Temperature Range - Operating	N/A

Electrical

Current - Maximum per Contact	N/A
Data Rate	N/A
Shielded	No
Voltage - Maximum	N/A

Material Info

Reference - Drawing Numbers

Sales Drawing SD-74076-002, SD-74076-005

VHDM, VHDM-HSD and Very High Density Metric are trademarks of Amphenol Corporation

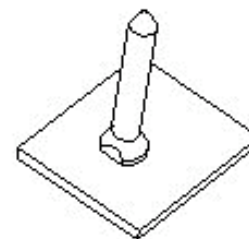


image - Reference only

Series

EU RoHS

**ELV and RoHS
Compliant**
**REACH SVHC
Not Reviewed**
**Halogen-Free
Status
Not Reviewed**

China RoHS



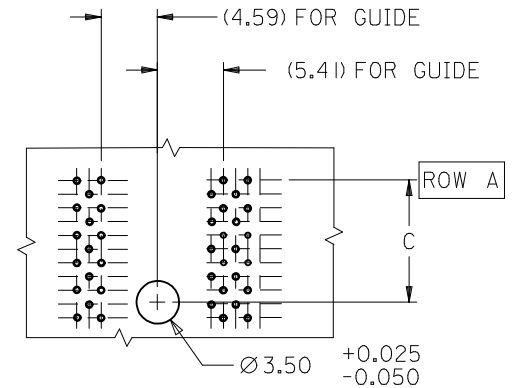
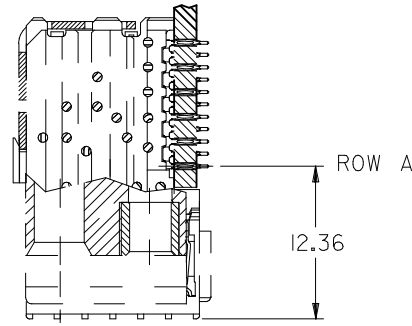
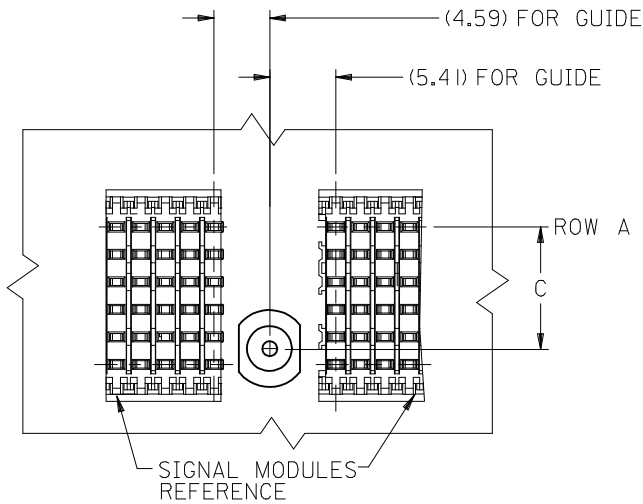
**Need more information on product
environmental compliance?**

Email productcompliance@molex.com
 For a multiple part number RoHS Certificate of
 Compliance, [click here](#)

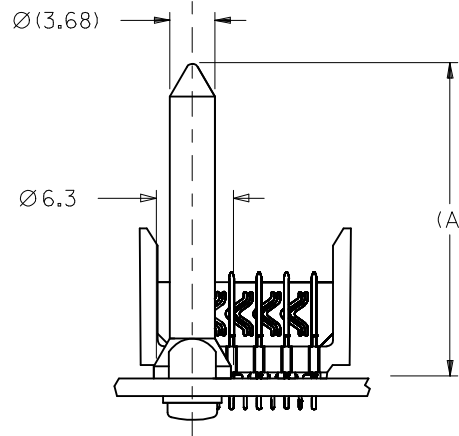
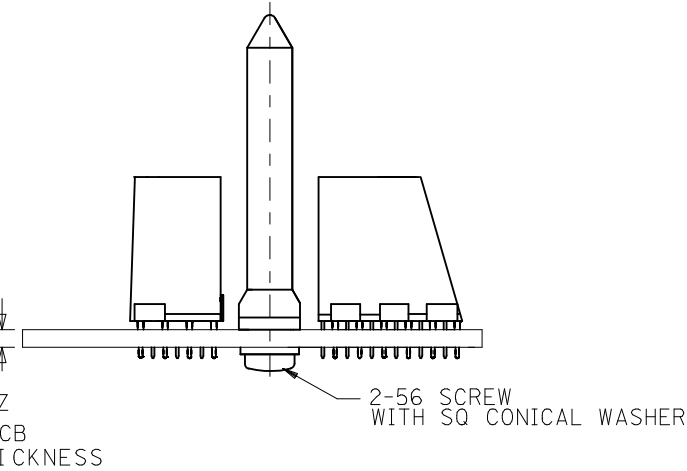
Please visit the [Contact Us](#) section for any
 non-product compliance questions.

Search Parts in this Series

74076Series



BACKPLANE HOLE PATTERN
FREE STAND GUIDE PIN

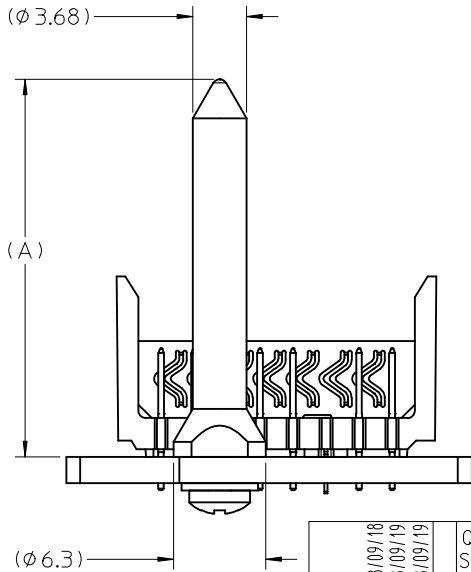
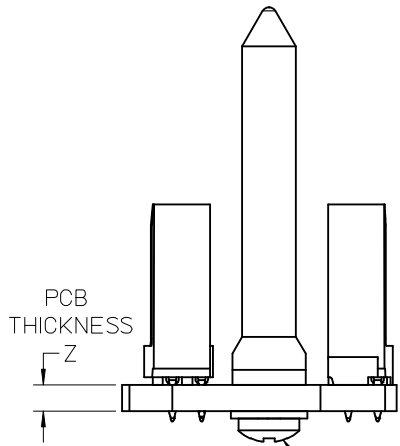
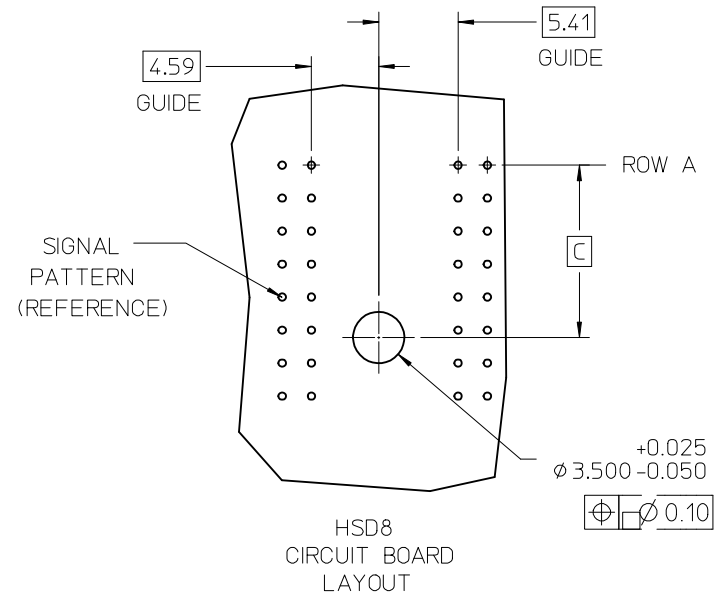
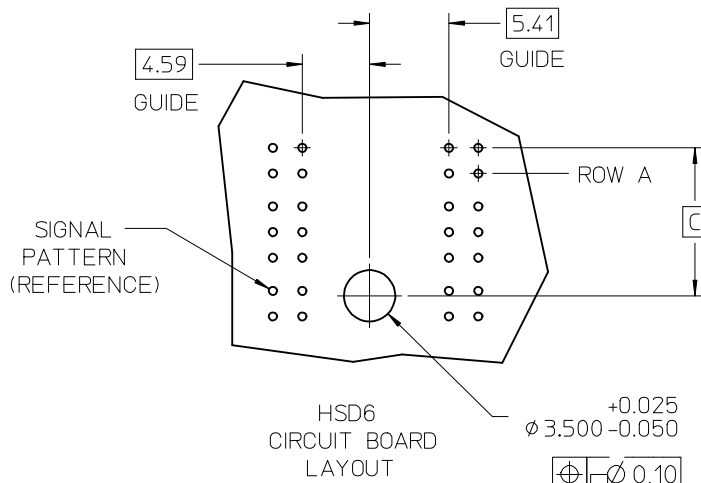
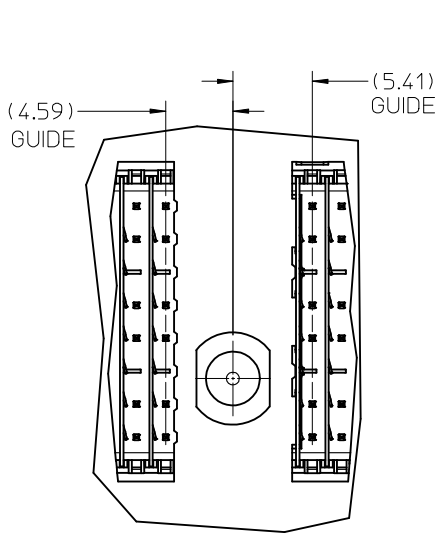


KIT NUMBER	DIM Z BOARD THICKNESS	DIM A
74076-0001	1.8-4.0	25.8
74076-0002	>4.0-9.00	25.8
74076-0005	1.8-4.0	19.9
74076-0006	>4.0-9.00	19.9

NOTES:
PACKAGING: STANDARD BULK PACK, 500 PER BAG
PACKAGE SCREWS AND GUIDE SEPARATE.

MATE WITH		DIM C
VHDM 6 ROW	GUIDE MODULE	9.96
	GROUND MODULE	9.26
	JOINER MODULE	9.26
VHDM 8 ROW	GUIDE MODULE	11.75
	GROUND MODULE	11.75
	JOINER MODULE	11.75

ADD PARTS EC NO: UCP2009-0672 DRWN: JB INGHAM 2008/09/18 CHKD: 2008/09/19 APPR: JLAURX 2008/09/19	QUALITY SYMBOLS ▽=0 ▽=0	GENERAL TOLERANCES (UNLESS SPECIFIED)		DIMENSION STYLE MM ONLY		SCALE ---	DESIGN UNITS METRIC	THIRD ANGLE PROJECTION	
		4 PLACES ± --- ± --- 3 PLACES ± --- ± --- 2 PLACES ± 0.10 ± --- 1 PLACE ± 0.15 ± ---	mm INCH	DRAWN BY MWANG	DATE 2000/03/17	TITLE VHDM BACKPLANE FREE STANDING GUIDE PIN OPEN ENDS SALES DRAWING			
		ANGULAR ± 3 °		CHECKED BY JLAURX	DATE 2000/03/20	MOLEX INCORPORATED			
		DRAFT WHERE APPLICABLE MUST REMAIN WITHIN DIMENSIONS		APPROVED BY CBIXLER	DATE 2000/03/20	MATERIAL NO. SEE TABLE	DOCUMENT NO. SD-74076-002	SHEET NO. 1 OF 1	



KIT NUMBER	DIM Z BOARD THICKNESS	DIM A
74076-0001	1.8 - 4.0	25.8
74076-0002	>4.0 - 9.0	25.8
74076-0005	1.8 - 4.0	19.9
74076-0006	>4.0 - 9.0	19.9

MATE WITH		DIM C
HSD 6	GUIDE MODULE	10.09
	GROUND MODULE	9.39
	JOINER MODUEL	9.39
HSD 8	GUIDE MODULE	11.75
	GROUND MODULE	11.75
	JOINER MODULE	11.75

- NOTES:
- PARTS TO BE BULK PACKED, 500 PER BAG.
 - SCREWS & GUIDE PINS PACKAGED SEPARATELY.

ADD PARTS
 EC NO: UCP2009-0672
 DRWN: JBINGHAM 2008/09/18
 CHKD: 2008/09/19
 APPR: JLAURX 2008/09/19

DESCRIPTION
 QUALITY SYMBOLS
 ▽=0
 ▽=0

GENERAL TOLERANCES (UNLESS SPECIFIED)

	mm	INCH
4 PLACES	±---	±---
3 PLACES	±---	±---
2 PLACES	±0.10	±---
1 PLACE	±0.15	±---
ANGULAR ±---°		

DRAFT WHERE APPLICABLE
 MUST REMAIN WITHIN DIMENSIONS

DIMENSION STYLE
MM ONLY

DRAWN BY
 JBINGHAM

DATE
 2007/03/28

CHECKED BY
 SREED

DATE
 2007/03/28

APPROVED BY
 SREED

DATE
 2007/03/28

MATERIAL NO.

SEE CHART

SCALE
3:1

DESIGN UNITS
METRIC

THIRD ANGLE PROJECTION

TITLE
**HSD BACKPLANE
 FREE STANDING GUIDE PIN
 SALES DRAWING**

MOLEX INCORPORATED

DOCUMENT NO.
SD-74076-005

SHEET NO.
1 OF 1

THIS DRAWING CONTAINS INFORMATION THAT IS PROPRIETARY TO MOLEX INCORPORATED AND SHOULD NOT BE USED WITHOUT WRITTEN PERMISSION