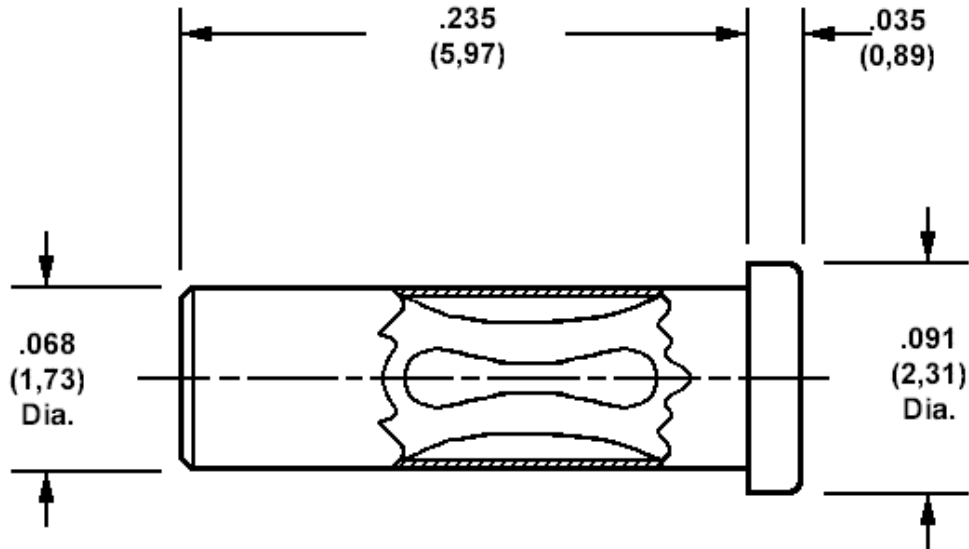


450-7004 Solder mount socket, for .030 (0,76) to .032 (0,81) diameter pins

Recommended mounting hole .072 (1,85) ± .002 (0,05), #49 drill



Min hole depth .181 (4,62)

How to order code

450-7004-01-XX-00

Basic Part No XX = Finish

MATERIALS				
Component	Material	Finish(-03)	Finish(-04)	Finish(-06)
Body	Brass	Gold over Nickel	Tin	Tin
Spring	Beryllium copper	Gold over Nickel	Tin	Gold over Nickel