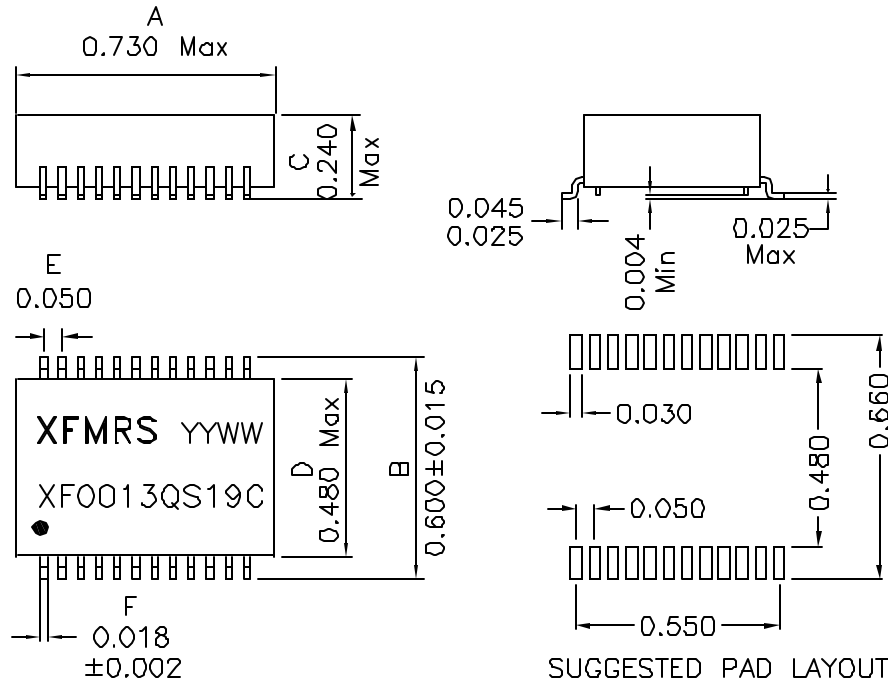
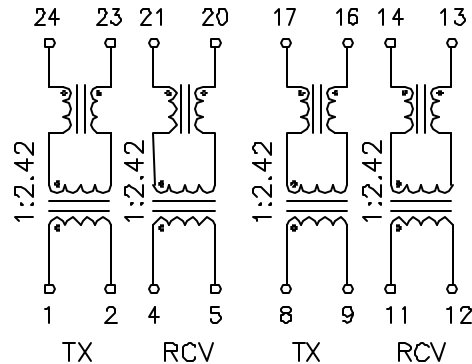


1. Mechanical Dimensions:



2. Schematic:



3. Electrical Specifications: @25°C

- Isolation: 1500 Vrms (PRI to SEC)
- TX Turns Ratio: 1:2.42 (PRI:SEC)
- RCV Turns Ratio: 1:2.42 (PRI:SEC)
- PRI OCL: 1.50mH Typical @100KHz 50mV
- PRI Q: 10 Min @10KHz 50mV
- Cw/w: 35pF Maximum @100KHz 50mV (PRI/SEC)
- PRI LL: 0.5uH Maximum @100KHz 50mV (SEC Shorted)
- Pri DCR: 0.80 Ohms Max
- Crosstalk: -60dB Typ (0.5 to 5MHz)
- CHOKE OCL: 30uH Typ @100KHz, 50mV

Notes:

1. Solderability: Leads shall meet MIL-STD-202G, Method 208H for solderability.
2. Flammability: UL94V-0
3. ASTM oxygen index: > 28%
4. Insulation System: Class F 155°C, UL file E151556
5. Operating Temperature Range: All listed parameters are to be within tolerance from -40°C to +85°C
6. Storage Temperature Range: -55°C to +125°C
7. Aqueous wash compatible
8. SMD Lead Coplanarity: ±0.004" (0.102mm)
9. Electrical and mechanical specifications 100% tested
10. RoHS Compliant Component
11. Recommended IR Reflow peak temp of 235°C Max.

| | | | |
|--|--|------------------|-----------|
| XFMRs Inc www.XFMRs.com | Title: T1/E1/CEPT QUAD PORT | | |
| | UNLESS OTHERWISE SPECIFIED TOLERANCES: .xxx ±0.010 Dimensions in INCH | P/N: XF0013QS19C | REV. B |
| SHEET 1 OF 1 | APP. BW | May-24-08 | May-24-08 |

DOC. REV: B/2