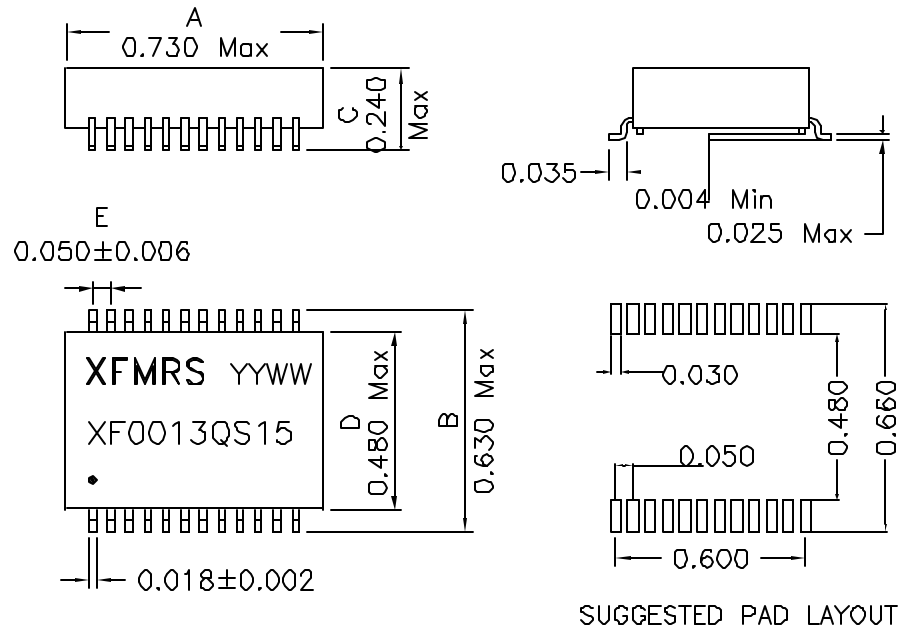
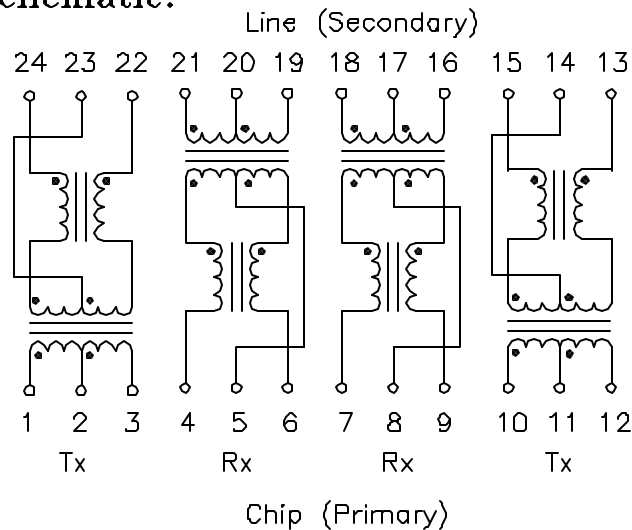


### 1. Mechanical Dimensions:



### 2. Schematic:



### 3. Electrical Specifications: @25°C

- Isolation: 1500 Vrms (PRI to SEC)
- TX Turns Ratio: 1CT:2.4CT (PRI:SEC)
- RCV Turns Ratio: 1CT:1CT (PRI:SEC)
- PRI OCL: 1.50mH Typical @100KHz 50mV
- Cw/w: 35pF Maximum @100KHz 50mV (PRI/SEC)
- PRI LL: 0.5uH Maximum @100KHz 50mV (SEC Shorted)
- Pri DCR: 0.80 Ohms Max
- Crosstalk: -60dB Min (0.1 to 5MHz)

Notes:

1. Solderability: Leads shall meet MIL-STD-202, Method 208D for solderability.
2. Flammability: UL94V-0
3. ASTM oxygen index: > 28%
4. Insulation System: Class F 155°C. UL file E151556
5. Operating Temperature Range: All listed parameters are to be within tolerance from -40°C to +85°C
6. Storage Temperature Range: -55°C to +125°C
7. Aqueous wash compatible
8. SMD Lead Coplanarity: ±0.004\*(0.102mm)
9. Moisture Sensitivity: Level 3
10. Electrical and mechanical specifications 100% tested
11. RoHS Compliant Component

<b>XFMR5 Inc</b> www.XFMR5.com		Title: T1/E1/CEPT DUAL PORT	
UNLESS OTHERWISE SPECIFIED TOLERANCES: .xxx ±0.010 Dimensions in INCH	P/N: XF0013QS15		REV. A
	DWN.	罗振江	May-09-05
SHEET 1 OF 1	CHK.	廖玉坤	May-09-05
	APP.	MS	May-09-05

DOC REV: A/6