

PLEASE CHECK WWW.MOLEX.COM FOR LATEST PART INFORMATION

Part Number: [0945294105](#)
Status: **Active**
Description: 5.00mm (.197") Pitch RAST, Receptacle, Natural Color, PA Polyamide (Nylon) 6/6, 5 Circuits, Glow Wire Compatible

Documents:

[Drawing \(PDF\)](#) [Product Specification PS-94529-002 \(PDF\)](#)
[Product Specification PS-94529-001 \(PDF\)](#) [RoHS Certificate of Compliance \(PDF\)](#)

Agency Certification

CSA LR19980
 UL E29179

General

Product Family Crimp Housings
 Series [94529](#)
 Product Name Pitch 5 Edge Card

Physical

Breakaway No
 Circuits (maximum) 5
 Color - Resin Natural
 Flammability 94V-0
 Gender Female
 Glow-Wire Compliant Yes
 Lock to Mating Part Yes
 Material - Resin Nylon
 Number of Rows 1
 Packaging Type Bag
 Panel Mount No
 Pitch - Mating Interface (in) 0.197 In
 Pitch - Mating Interface (mm) 5.00 mm
 Pitch - Term. Interface (in) 0.197 In
 Pitch - Term. Interface (mm) 5.00 mm
 Polarized to Mating Part Yes
 Ports 1
 Stackable No
 Temperature Range - Operating -40°C to +105°C, -40°C to +85°C

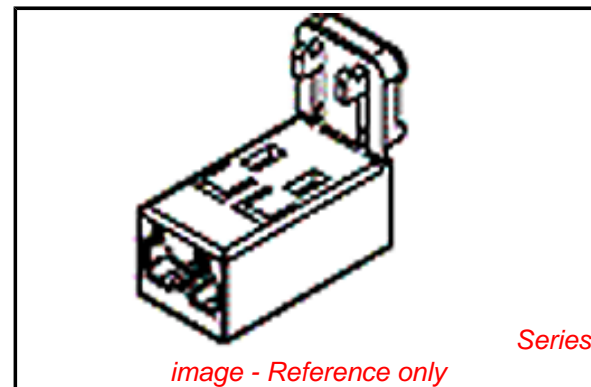
Electrical

Current - Maximum per Contact 6A

Material Info

Reference - Drawing Numbers

Product Specification PS-94529-001, PS-94529-002
 Sales Drawing SD-94529-023



EU RoHS

**ELV and RoHS
 Compliant**
**REACH SVHC
 Not Reviewed**
**Halogen-Free
 Status
 Not Reviewed**

China RoHS



**Need more information on product
 environmental compliance?**

Email productcompliance@molex.com
 For a multiple part number RoHS Certificate of Compliance, [click here](#)

Please visit the [Contact Us](#) section for any non-product compliance questions.

Search Parts in this Series

[94529Series](#)

Mates With

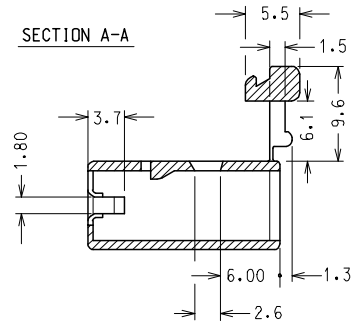
PCB thickness 1.50mm (.059")

Use With

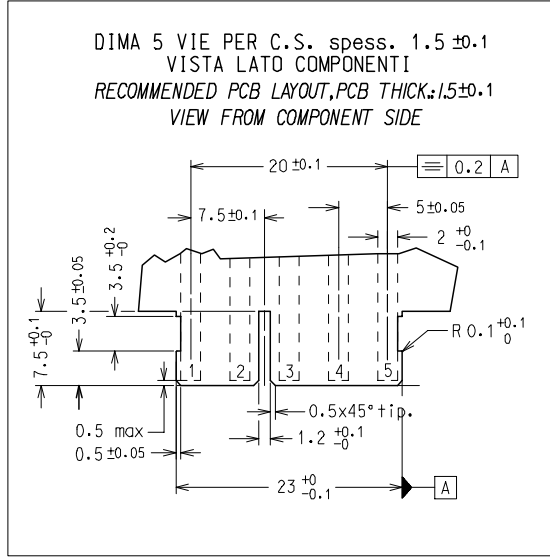
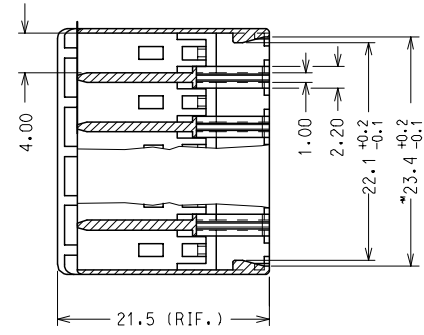
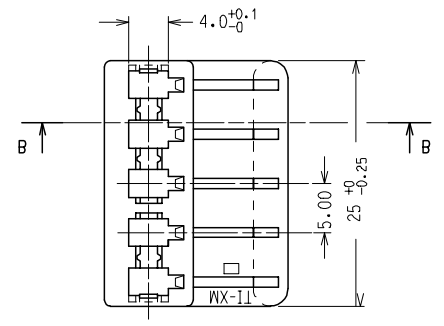
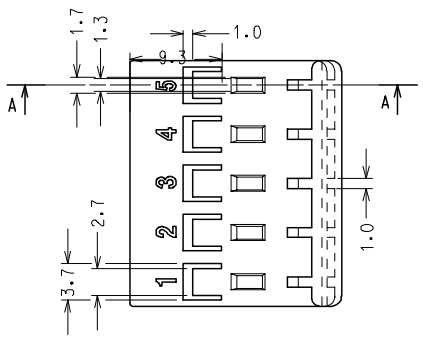
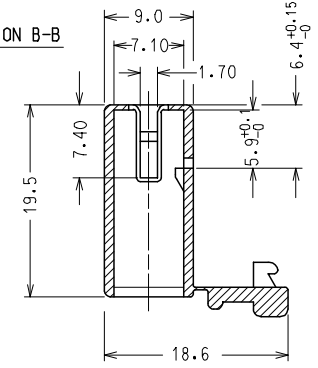
[94529-1203 Terminal](#)

10 9 8 7 6 5 4 3 2 1

SECTION A-A



SECTION B-B



NOTA: LE DIMENSIONI VANNO MISURATE CON CORPI STABILIZZATI SECONDO NG 2301. (AUMENTO IN PESO DEL 2.7 %)

NOTE: PARTS SHALL BE DIMENSIONALLY CHECKED AFTER ATTAINING EQUILIBRIUM CONDITIONS E.G. 2.7 % INCREASE IN WEIGHT FOR HUMIDITY ABSORPTION FROM DRY STATUS.

CARATTERISTICHE PRODOTTO SECONDO PS-94529
 PRODUCT CHARACTERISTICS ACCORDING TO PS-94529 E

CONFEZIONE: 4500 PZ. IN SCATOLA
 PACKAGING: 4500 pcs IN CARTON BOX

CODICE	P/N	MATERIAL
94529-9105		PA 66 NAT. UL94 V2 GWT 850 °C
94529-4105		NYLON 6.6 GWT 750 °C sec. IEC 60335-1 TEST METHOD IEC 60695-2-11 NATURAL

SPQ: 4500 PZ.

Descr. Std: HSG FOR FORK TERMINAL 5 CKT

ENTER DESCRIPTION EC NO: Z2006-0051 DRWN: FGOTTARDO 2005/10/12 CHKD: ARSANDANO 2005/10/12 APPR: GZUIN 2005/10/14	QUALITY SYMBOLS ▽=0 ▽C=0	GENERAL TOLERANCES (UNLESS SPECIFIED)		DIMENSION STYLE MM ONLY		SCALE 2:1	DESIGN UNITS METRIC	FIRST ANGLE PROJECTION	
		4 PLACES	± ---	± ---	DRAWN BY	DATE	5 CKT HOUSING FOR STRAIGHT FORK TERMINAL		
		3 PLACES	± ---	± ---	CHECKED BY	DATE			
		2 PLACES	± 0.1	± ---	APPROVED BY	DATE			
1 PLACE	± 0.2	± ---	GZUIN	2000/11/21					
DRAFT WHERE APPLICABLE MUST REMAIN WITHIN DIMENSIONS		ANGULAR ± 2 °		SEE TABLE		MOLEX INCORPORATED		SHEET NO. 1 OF 1	

9 8 7 6 5 4 3 2 1