

PLEASE CHECK WWW.MOLEX.COM FOR LATEST PART INFORMATION

Part Number: [0643231029](#)
Status: **Active**
Overview: [cmc connectors](#)
Description: 1.5mm (.059") CMC CP Female Terminal, Tin Plated, for tab dimensions 1.5mm x 0.8mm, Wire Size 0.50mm² - 1.0mm²

Documents:

[3D Model](#) [Product Specification PS-64321-001 \(PDF\)](#)
[Drawing \(PDF\)](#) [RoHS Certificate of Compliance \(PDF\)](#)
[Product Specification PS-64318-001 \(PDF\)](#)

General

Product Family	Crimp Terminals
Series	64323
Comments	* Current tested on a fully loaded connector, current for temperature increase of 40°C. Current max = 12.0A for 1.5mm Terminal (2.0mm ² wire)*
Crimp Quality Equipment	Yes
Overview	cmc connectors
Product Name	CMC, CP Terminal

Physical

Durability (mating cycles max)	20
Gender	Female
Material - Metal	High Copper
Material - Plating Mating	Tin
Material - Plating Termination	Tin
Packaging Type	Reel
Plating min: Mating (µm)	1.5, 3
Termination Interface: Style	Crimp or Compression
Wire Insulation Diameter	1.40mm-2.15mm
Wire Size AWG	18, 20
Wire Size mm ²	0.50 - 1.00

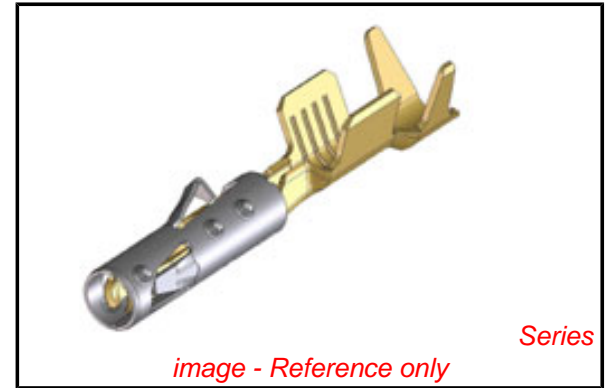
Electrical

Current - Maximum per Contact	12A
Voltage - Maximum	250V AC

Material Info

Reference - Drawing Numbers

Application Specification	AS-64321-001, AS-98993-011
Packaging Specification	PK-98915-001
Product Specification	PS-64318-001, PS-64321-001
Sales Drawing	SD-64323-001



EU RoHS

ELV and RoHS Compliant
REACH SVHC
 Not Reviewed
Halogen-Free Status

China RoHS



Need more information on product environmental compliance?

Email productcompliance@molex.com
 For a multiple part number RoHS Certificate of Compliance, [click here](#)

Please visit the [Contact Us](#) section for any non-product compliance questions.

Search Parts in this Series

[64323Series](#)

Mates With

CMC Connector [64318](#) , [64319](#) , [64320](#) , [64321](#)

Use With

CMC Connector [64318](#) , [64319](#) , [64320](#) , [64321](#)

Application Tooling | FAQ

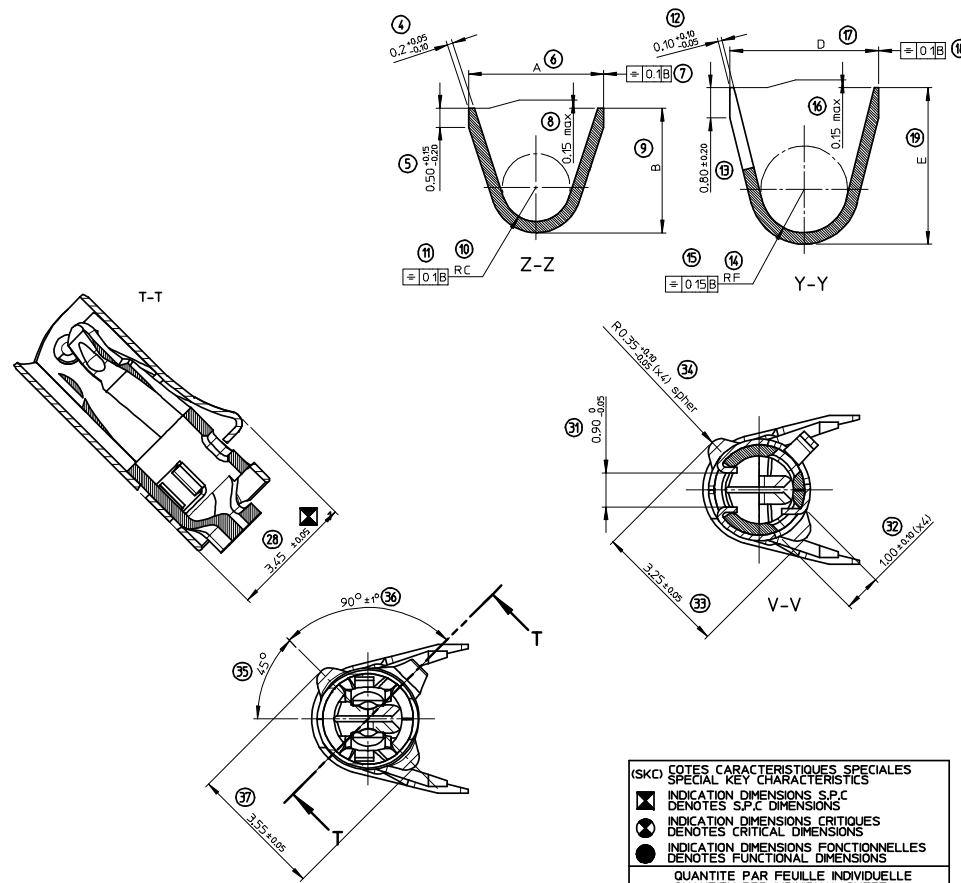
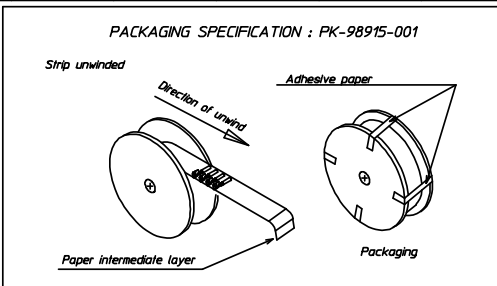
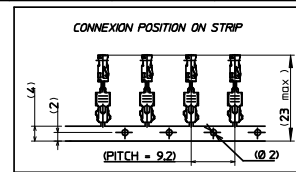
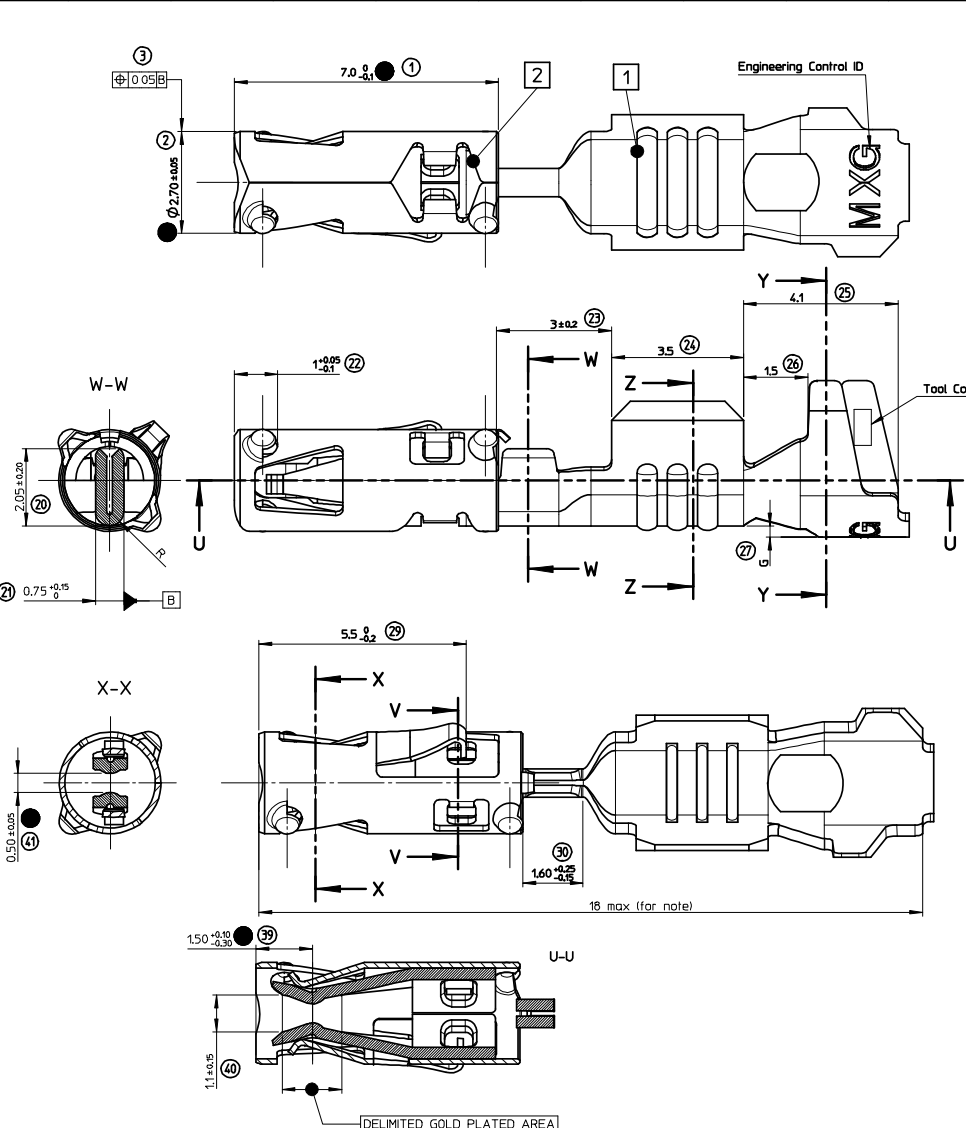
Tooling specifications and manuals are found by selecting the products below. Crimp Height Specifications are then contained in the Application Tooling Specification document.

Global

Description	Product #
FineAdjust™ Applicator	0638688000
Extraction Tool	0638132300
HAND CRIMP TOOL	0638118900

This document was generated on 06/07/2010

PLEASE CHECK WWW.MOLEX.COM FOR LATEST PART INFORMATION



NOTE:
- CRIMPING SPECIFICATION ACCORDING TO CS-64323-001

2	BOX TERMINAL	STAINLESS STEEL thickness : 0.15 mm
1	BODY TERMINAL	HIGH CONDUCTIVITY COPPER ALLOY thickness : 0.3 mm
MARK	DESIGNATION	MATERIAL

MATERIAL NUMBER	CONTACT AREA	CRIMPING AREA	UNDERLAYER	CRIMPING RANGE (mm ²)	CRIMPING RANGE (mm ²)								WEIGHT (g)
					A±0.3	B±0.3	rC±0.2	D±0.3	E±0.3	rF±0.2	G ± 0.1		
0643231029	Sn	Sn	Ni	0.50 TO 1	3.1	2.8	0.575	3.25	3.45	0.95	0.15	0.2420	
0643231319	Au 1.27μ MINI	Sn	Ni	>1 TO 2	3.7	3.3	0.9	3.95	4.15	1.15	0.3	0.2442	
0643231039	Sn	Sn	Ni	>1 TO 2	3.7	3.3	0.9	3.95	4.15	1.15	0.3	0.2580	
0643231219	Au 1.27μ MINI	Sn	Ni	>1 TO 2	3.7	3.3	0.9	3.95	4.15	1.15	0.3	0.2602	

(SKC) COTES CARACTERISTIQUES SPECIALES
SPECIAL KEY CHARACTERISTICS
INDICATION DIMENSIONS S.P.C
DENOTES S.P.E DIMENSIONS
INDICATION DIMENSIONS CRITQUES
DENOTES CRITICAL DIMENSIONS
INDICATION DIMENSIONS FONCTIONNELLES
DENOTES FUNCTIONAL DIMENSIONS
QUANTITE PAR FEUILLE INDIVIDUELLE
QUANTITY PER INDIVIDUAL SHEET
1 0 4 (SKC) 0

Revised Dwg
EC NO: G2008-0440
DRAWN: JULIEN CHKOFFARLARI 2008/05/19
APPROVED: LSTICKEIR 2008/05/19

GENERAL TOLERANCES (UNLESS SPECIFIED)	DIMENSION STYLE	SCALE	DESIGN UNITS	FIRST ANGLE PROJECTION
4 PLACES ± --- ± ---	MM ONLY	15:1	METRIC	CP RCPT TRM 1.5
3 PLACES ± --- ± ---	DRAWN BY VGUERIN DATE 2007/11/07			
2 PLACES ± 0.10 ± ---	CHECKED BY FPAROLARI DATE 2007/11/07			
1 PLACE ± 0.1 ± ---	APPROVED BY LSTICKEIR DATE 2007/11/07			
ANGULAR ± 2°	MATERIAL NO.			
DRAFT WHERE APPLICABLE MUST REMAIN WITHIN DIMENSIONS	SEE CHART			
	MATERIAL NO.			
	DOCUMENT NO.			
	SHEET NO.			

MOLEX INCORPORATED
SD-64323-001
1 OF 1

THIS DRAWING CONTAINS INFORMATION THAT IS PROPRIETARY TO MOLEX INCORPORATED AND SHOULD NOT BE USED WITHOUT WRITTEN PERMISSION