

PLEASE CHECK WWW.MOLEX.COM FOR LATEST PART INFORMATION

Part Number: [0194350612](#)
Status: **Active**
Overview: [mx150l sealed connector system](#)
Description: MX150L™ 6 Circuit Rear Mount Flange Plug for 18-22 AWG Wire, with Gasket

Documents:

[3D Model](#) [RoHS Certificate of Compliance \(PDF\)](#)
[Drawing \(PDF\)](#)

General

| | |
|-----------------------------|--|
| Product Family | Crimp Housings |
| Series | 19435 |
| Comments | Mat Seal Color is Red |
| Overview | mx150l sealed connector system |
| Product Literature Order No | 987650-2181 |
| Product Name | MX150L™ |

Physical

| | |
|-------------------------------|-----------------|
| Circuits (maximum) | 6 |
| Gender | Male |
| Glow-Wire Compliant | No |
| Lock to Mating Part | Yes |
| Number of Rows | 2 |
| Packaging Type | Bag |
| Panel Mount | Yes |
| Pitch - Mating Interface (in) | 0.230 In |
| Pitch - Mating Interface (mm) | 5.84 mm |
| Polarized to Mating Part | Yes |
| Stackable | No |
| Temperature Range - Operating | -40°C to +125°C |

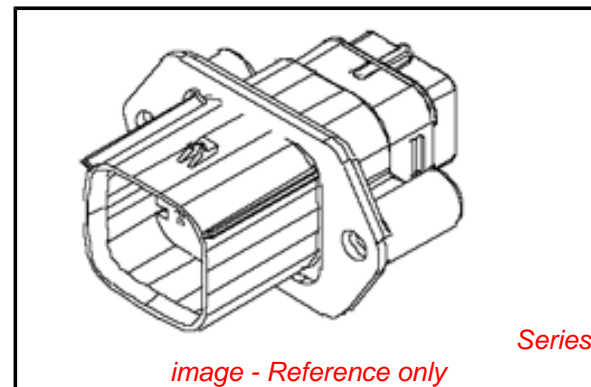
Electrical

| | |
|-------------------------------|-----|
| Current - Maximum per Contact | 18A |
|-------------------------------|-----|

Material Info

Reference - Drawing Numbers

| | |
|-------------------------|--------------|
| Packaging Specification | PK-19435-001 |
| Sales Drawing | SD-19435-006 |



EU RoHS

ELV and RoHS Compliant
REACH SVHC
 Not Reviewed
Halogen-Free
Status

China RoHS



Not Reviewed

Need more information on product environmental compliance?

Email productcompliance@molex.com
 For a multiple part number RoHS Certificate of Compliance, [click here](#)

Please visit the [Contact Us](#) section for any non-product compliance questions.

Search Parts in this Series

[19435Series](#)

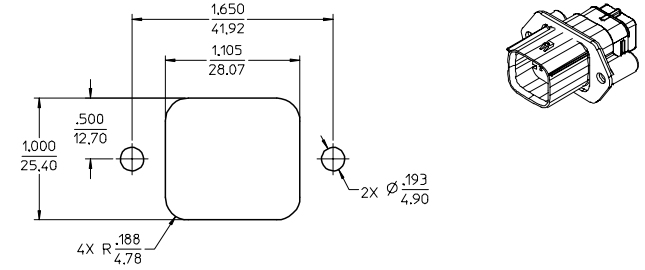
Mates With

[19418](#)

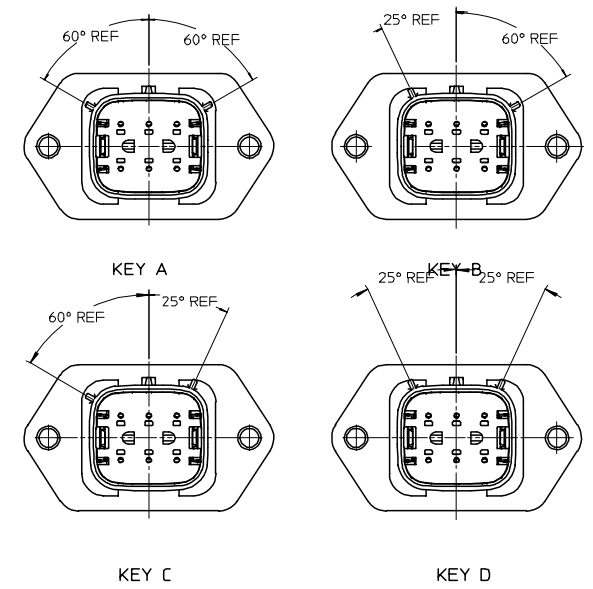
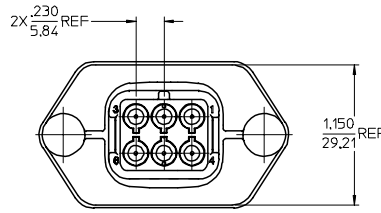
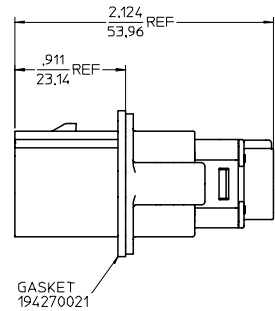
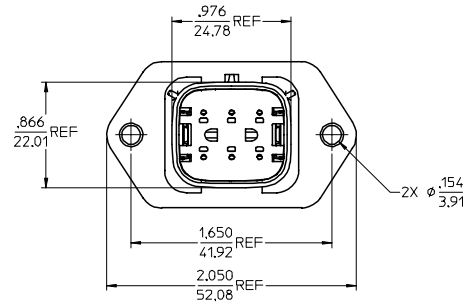
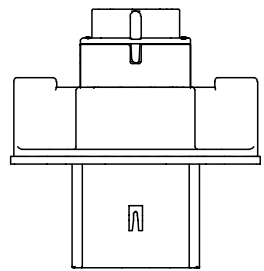
Use With

[19417 Male Crimp Terminals](#)

| MATERIAL NUMBER | WIRE GAGE | GASKET | KEYING OPTION | COLOR |
|-----------------|-----------|--------|---------------|-------|
| 194350611 | 16-14 | YES | A | BLACK |
| 194350612 | 22-18 | YES | A | BLACK |
| 194350613 | 16-14 | NO | A | BLACK |
| 194350614 | 22-18 | NO | A | BLACK |
| 194350616 | 16-14 | YES | B | GRAY |
| 194350617 | 22-18 | YES | B | GRAY |
| 194350618 | 16-14 | NO | B | GRAY |
| 194350619 | 22-18 | NO | B | GRAY |
| 194350621 | 16-14 | YES | C | BROWN |
| 194350622 | 22-18 | YES | C | BROWN |
| 194350623 | 16-14 | NO | C | BROWN |
| 194350624 | 22-18 | NO | C | BROWN |
| 194350626 | 16-14 | YES | D | GREEN |
| 194350627 | 22-18 | YES | D | GREEN |
| 194350628 | 16-14 | NO | D | GREEN |
| 194350629 | 22-18 | NO | D | GREEN |



RECOMMENDED PANEL MOUNT OPENING
MAX PANEL THK .080/2.03



- NOTES:
1. MATERIALS:
HOUSING: POLYESTER (PBT), GLASS FILLED, UL94 V-0,
COLOR: SEE CHART.
SEAL & GASKET: SILICONE RUBBER.
 2. PRODUCT SPECIFICATION: PS-19417-001.
 3. PACKAGING SPECIFICATION: PK-19419-001.
 4. MATES WITH: 19418 SERIES RECEPTACLE ASSEMBLIES.
 5. RECOMMENDED MOUNTING HARDWARE: (2)#10 X .62/18.9 LONG PLASTIC
THREAD CUTTING SCREWS, RECOMMENDED TORQUE 15-17 IN.-LBS,
SUGGESTED SOURCE: ITW SHAKEPROOF INDUSTRIAL BOSSCREW OR EQUIVALENT.

| REV | DESCRIPTION | QUALITY SYMBOLS | | GENERAL TOLERANCES (UNLESS SPECIFIED) | | DIMENSION STYLE | | SCALE | DESIGN UNITS | THIRD ANGLE PROJECTION | | | | | | | | |
|-----|---|-----------------|------|---------------------------------------|--------|-----------------|--------|-----------------|--------------|------------------------|--------|--------------|--|-----------|-------------------------|------------------|------------------------------|---------------------|
| | | mm | INCH | mm | INCH | IN/MM | INCH | INCH | INCH | | | | | | | | | |
| A | NEW PRODUCT EC NO. ETC2005-0228 DRAWN: JPWL ICK 2005/06/20 CHKD: JPWL ICK 2005/06/21 APPR: RDEROSS 2005/06/21 | ▽=0 | ▽=0 | 4 PLACES ± .015 | ± .015 | 3 PLACES ± .038 | ± .038 | 2 PLACES ± .076 | ± .076 | 1 PLACE ± .152 | ± .152 | ANGULAR ± 2° | DRAFT WHERE APPLICABLE MUST REMAIN WITHIN DIMENSIONS | SEE CHART | MATERIAL NO. RDEROSS | DATE 02/11/05 | DOCUMENT NO. SD-19435-006 | SHEET NO. 1 OF 1 |