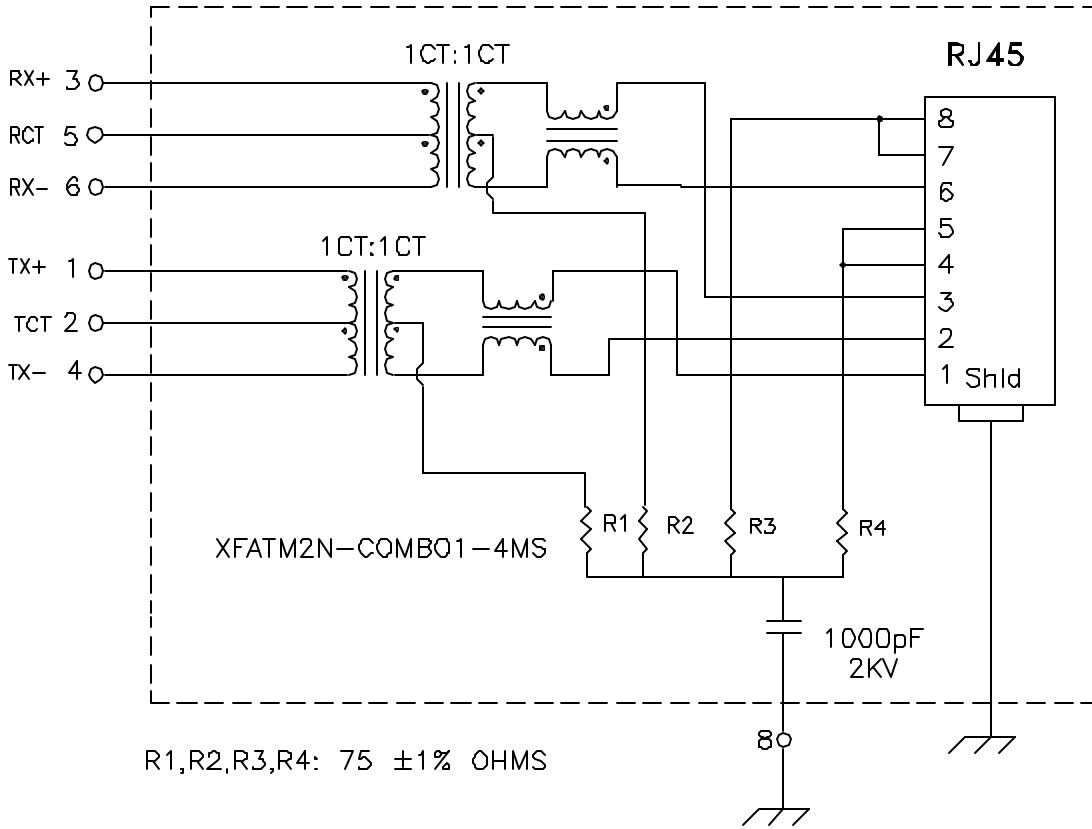


Schematic:



Electrical Specifications: @25°C

Isolation Voltage: 1500 Vrms (INPUT to OUTPUT)
 UTP SIDE OCL: 350uH Min @100KHz 100mV 8mADC
 Rise Time (10-90%): 2.5ns Typical
 Insertion Loss: -1dB Typ @1-65MHz
 Return Loss: -20dB Typ @1-10MHz
 -16dB Typ @10-30MHz
 -12dB Typ @30-60MHz
 -10dB Typ @60-80MHz

Crosstalk:

-40dB Typ @1-30MHz
 -35dB Typ @30-60MHz
 -30dB Typ @60-100MHz

Common Mode Rejection:

-30dB Typ @1-50MHz
 -20dB Typ @50-150MHz

Notes:

1. Solderability: Leads shall meet MIL-STD-202, Method 208D for solderability.
2. Flammability: UL94V-0
3. ASTM oxygen index > 28%
4. Insulation System: Class F 155°C. UL file E151556
5. Operating Temperature Range: All listed parameters are to be within tolerance from -40°C to +85°C
6. Storage Temperature Range: -55°C to +125°C
7. Aqueous wash compatible
8. SMD Lead Coplanarity: ±0.004" (D.102mm)
9. Moisture Sensitivity: Level 2
10. Electrical and mechanical specifications 100% tested
11. RoHS Compliant Component

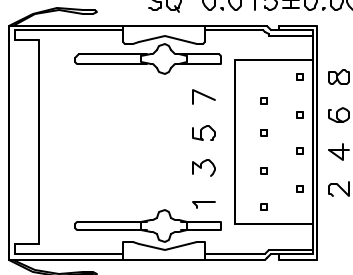
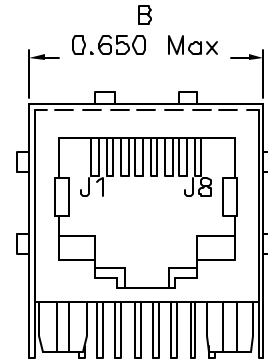
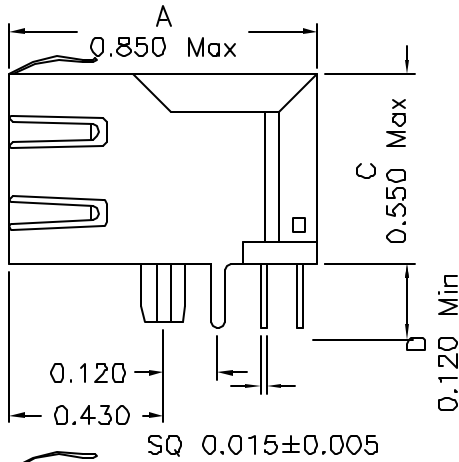
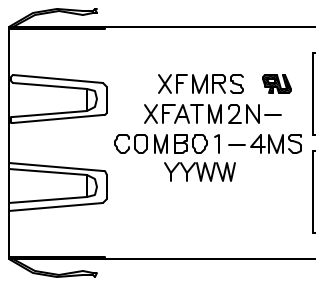
XFMRs Inc www.XFMRS.com	Title: SINGLE PORT COMBO		
	UNLESS OTHERWISE SPECIFIED TOLERANCES: .xxx ±0.010 Dimensions in Inch	P/N: XFATM2N-COMBO1-4MS	REV. A
	DWN.	李小锋	Nov-08-04
	CHK.	廖玉坤	Nov-08-04
	APP.	J Ng	Nov-08-04
SHEET 1 OF 2			

DOC. REV A/1

PROPRIETARY:

Document is the property of XFMRs Group & is not allowed to be duplicated without authorization.

Mechanical Dimensions:

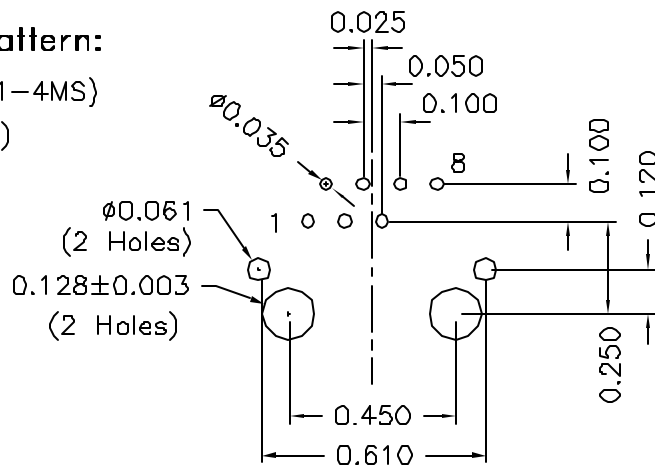


(BOTTOM VIEW)

Mounting Pattern:

(FOR COMBO1-4MS)

(COMP SIDE)



DOC REV: A/1

XFMR5 Inc www.XFMRS.com	Title: Mechanical Dimensions For COMBO1-4MS Series		
	UNLESS OTHERWISE SPECIFIED TOLERANCES: .xxx ±0.010 Dimensions in Inch	P/N: XFATM2N-COMBO1-4MS	REV. A
	DWN.	李小锋	Nov-08-04
	CHK.	廖玉坤	Nov-08-04
SHEET 2 OF 2	APP.	J Ng	Nov-08-04

PROPRIETARY:

Document is the property of XFMR5 Group & is not allowed to be duplicated without authorization.