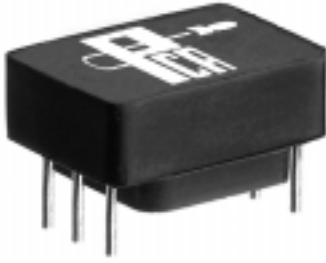


T3/DS3/E3/STS-1 Interface Transformers

EPR1351

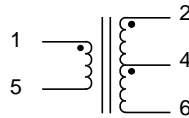


- Optimized for Leading Transceiver I.C.'s •
- Meets or exceeds UL1950 , EN60950 & G703 Standards •
- 3000 Vrms Isolation •
- See Selection Guide for I.C. Cross Reference •

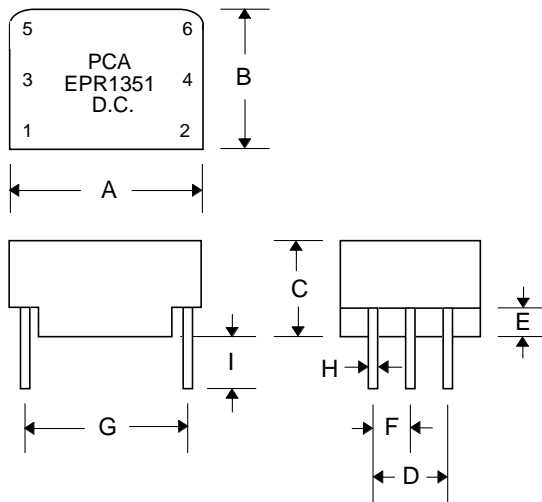
Electrical Parameters @ 25° C

Turns Ratio	OCL (μH Min.)	Cw/w (pF Max.)	LI (μH Max.)	Pri. DCR (Ω Max.)	Sec. DCR (Ω Max.)
1 : 2CT	19	10	.06	0.150	.300

Schematic



Package



Dimensions

Dim.	(Inches)			(millimeters)		
	Min.	Max.	Nom.	Min.	Max.	Nom.
A	.480	.500	.490	12.19	12.70	12.45
B	.340	.360	.350	8.64	9.14	8.89
C	.230	.250	.240	5.84	6.35	6.10
D	---	---	.200	---	---	5.08
E	.075	.085	.080	1.90	2.16	2.03
F	---	---	.100	---	---	2.54
G	.395	.405	.400	10.03	10.29	10.16
H	.017	.023	.020	.432	.584	.508
I	.120	.140	.130	3.05	3.56	3.30