

PLEASE CHECK WWW.MOLEX.COM FOR LATEST PART INFORMATION

Part Number: [0834219042](#)
Status: **Active**
Overview: [commercial_microd](#)
Description: Comercial Micro-D, CMD Single Ended, 9 Circuits, Female - Pigtail, 0.46m (1.50') Length

Documents:

[Drawing \(PDF\)](#) [RoHS Certificate of Compliance \(PDF\)](#)
[Product Specification PS-83421-001 \(PDF\)](#)

General

Product Family	Cable Assemblies
Series	83421
Connector to Connector	Commercial Micro-D-to-Pigtail
Overview	commercial_microd
Product Literature Order No	USA-063
Product Name	Commercial Micro-D

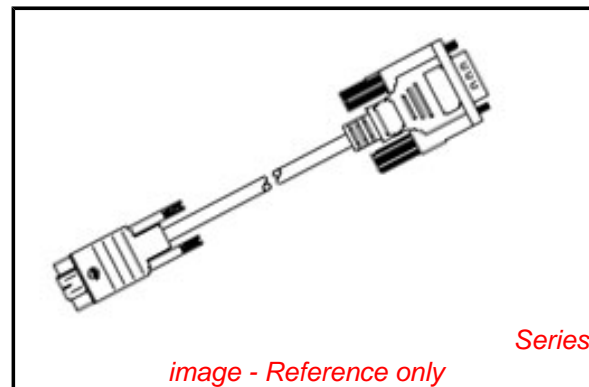
Physical

Cable Length	0.46m (1.50')
Circuits (Loaded)	9
Gender	Female-Pigtail
Lock to Mating Part	None
Material - Plating Mating	Gold
Material - Plating Termination	Tin
Packaging Type	Bag
Plating min: Mating (µin)	5
Plating min: Mating (µm)	0.125
Plating min: Termination (µin)	50
Plating min: Termination (µm)	1.25
Single Ended	Yes
Termination Interface: Style	Crimp or Compression
Wire Insulation Diameter	.225mm (5.720") max.
Wire Size AWG	28
Wire/Cable Type	N/A

Material Info

Reference - Drawing Numbers

Packaging Specification	PK-83422-001
Product Specification	PS-83421-001
Sales Drawing	SD-83421-9023



EU RoHS

**ELV and RoHS
Compliant**
REACH SVHC
 Not Reviewed
**Halogen-Free
Status**

China RoHS



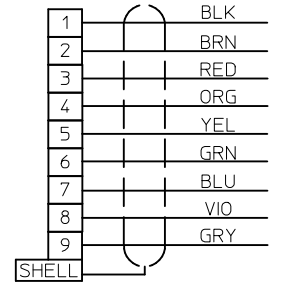
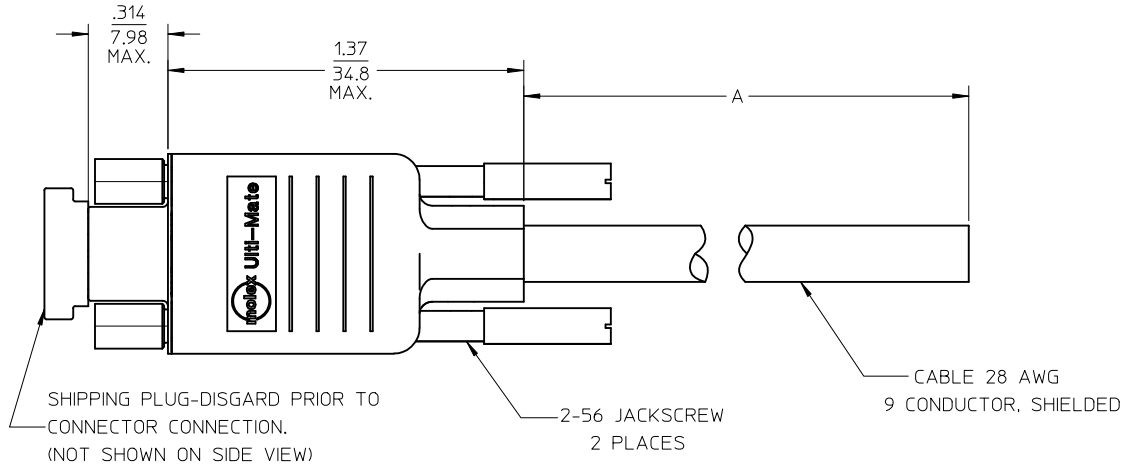
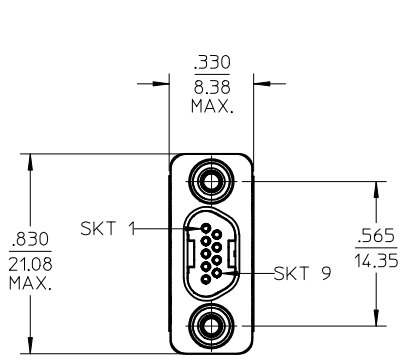
**Need more information on product
environmental compliance?**

Email productcompliance@molex.com
 For a multiple part number RoHS Certificate of Compliance, [click here](#)

Please visit the [Contact Us](#) section for any non-product compliance questions.

Search Parts in this Series
[83421Series](#)

PART NUMBER	A (inch)	LENGTH TOL.
834219023	4.5"	+5 -0
834219042	18.5"	+5 -0
834219043	36.5"	+75 -0
834219044	72.5"	+150 -0
834219060	300.0"	+6.25 -0



NOTES:
 1) OVERMOLD ASSEMBLY
 2) RoHS COMPLIANT

ADD PART NUM. EC NO: WNA2010-0391 DRWN:BRUPERT 2010/01/29 CHKD:BRUPERT 2010/03/29 APPR: JFMURPHY 2010/03/29	QUALITY SYMBOLS	GENERAL TOLERANCES (UNLESS SPECIFIED)	DIMENSION STYLE IN/MM	SCALE 2:1	DESIGN UNITS INCH	THIRD ANGLE PROJECTION																										
	$\nabla=0$ $\nabla C=0$	<table border="1"> <thead> <tr> <th></th> <th>mm</th> <th>INCH</th> </tr> </thead> <tbody> <tr> <td>4 PLACES</td> <td>± ---</td> <td>± ---</td> </tr> <tr> <td>3 PLACES</td> <td>± ---</td> <td>± .005</td> </tr> <tr> <td>2 PLACES</td> <td>± ---</td> <td>± .01</td> </tr> <tr> <td>1 PLACE</td> <td>± ---</td> <td>± ---</td> </tr> </tbody> </table>		mm	INCH	4 PLACES	± ---	± ---	3 PLACES	± ---	± .005	2 PLACES	± ---	± .01	1 PLACE	± ---	± ---	<table border="1"> <thead> <tr> <th>mm</th> <th>INCH</th> </tr> </thead> <tbody> <tr> <td>± ---</td> <td>± ---</td> </tr> <tr> <td>± ---</td> <td>± .005</td> </tr> <tr> <td>± ---</td> <td>± .01</td> </tr> <tr> <td>± ---</td> <td>± ---</td> </tr> </tbody> </table>	mm	INCH	± ---	± ---	± ---	± .005	± ---	± .01	± ---	± ---	DRAWN BY: D.URBACH DATE: 2AUG99 CHECKED BY: F.VAN WYK DATE: APPROVED BY: JFMURPHY DATE: 2010/03/29	TITLE CMD CONNECTOR ASSEMBLY 9 CIRCUIT		
		mm	INCH																													
	4 PLACES	± ---	± ---																													
3 PLACES	± ---	± .005																														
2 PLACES	± ---	± .01																														
1 PLACE	± ---	± ---																														
mm	INCH																															
± ---	± ---																															
± ---	± .005																															
± ---	± .01																															
± ---	± ---																															
	ANGULAR ± 2 °	DRAFT WHERE APPLICABLE MUST REMAIN WITHIN DIMENSIONS	SEE CHART	MATERIAL NO.	DOCUMENT NO.	SHEET NO.																										
			SIZE A3	THIS DRAWING CONTAINS INFORMATION THAT IS PROPRIETARY TO MOLEX INCORPORATED AND SHOULD NOT BE USED WITHOUT WRITTEN PERMISSION																												