

PLEASE CHECK WWW.MOLEX.COM FOR LATEST PART INFORMATION

Part Number: **0015800169**

Status: **Active**

Overview: [cgrid_sl_products](#)

Description: 2.54mm (.100") Pitch C-Grid® Header, Through Hole without Peg, Dual Row, Vertical, Shrouded, High Temperature, 16 Circuits, 0.38µm (15µ") Gold, (Au) Selective Plating, Tin (Sn) PC Tail Plating, 3.81mm (.150") Inside Shroud to End Circuit Spacing

Documents:

[3D Model](#)

[Packaging Specification \(PDF\)](#)

[Drawing \(PDF\)](#)

[Product Specification PS-70567 \(PDF\)](#)

[RoHS Certificate of Compliance \(PDF\)](#)

Agency Certification

CSA LR19980
UL E29179

General

Product Family PCB Headers
Series [70567](#)
Application Wire-to-Board
Overview [cgrid_sl_products](#)
Product Name C-Grid®

Physical

Breakaway No
Circuits (Loaded) 16
Circuits (maximum) 16
Circuits Detail 16
Color - Resin Black
Durability (mating cycles max) 25
First Mate / Last Break No
Flammability 94V-0
Glow-Wire Compliant No
Guide to Mating Part No
Keying to Mating Part None
Lock to Mating Part Yes
Material - Metal Brass, Phosphor Bronze
Material - Plating Mating Gold
Material - Plating Termination Tin
Material - Resin High Temperature Thermoplastic
Number of Rows 2
Orientation Vertical
PC Tail Length (in) 0.130 In
PC Tail Length (mm) 3.30 mm
PCB Locator No
PCB Retention Yes
PCB Thickness Recommended (in) 0.093 In
PCB Thickness Recommended (mm) 2.36 mm
Packaging Type Tube
Pitch - Mating Interface (in) 0.100 In
Pitch - Mating Interface (mm) 2.54 mm
Pitch - Term. Interface (in) 0.100 In
Pitch - Term. Interface (mm) 2.54 mm
Plating min: Mating (µin) 15
Plating min: Mating (µm) 0.375
Plating min: Termination (µin) 75



EU RoHS

ELV and RoHS Compliant
REACH SVHC Contains SVHC: No
Halogen-Free Status
Not Reviewed

China RoHS



Need more information on product environmental compliance?

Email productcompliance@molex.com
For a multiple part number RoHS Certificate of Compliance, [click here](#)

Please visit the [Contact Us](#) section for any non-product compliance questions.

Search Parts in this Series

[70567Series](#)

Mates With

[70013 Interim Clip](#)

| | |
|--------------------------------|-----------------|
| Plating min: Termination (µm) | 1.875 |
| Polarized to Mating Part | No |
| Polarized to PCB | No |
| Shrouded | Open Ends |
| Stackable | No |
| Surface Mount Compatible (SMC) | Yes |
| Temperature Range - Operating | -55°C to +105°C |
| Termination Interface: Style | Through Hole |

Electrical

| | |
|-------------------------------|---------|
| Current - Maximum per Contact | 2.5A |
| Voltage - Maximum | 250V DC |

Solder Process Data

| | |
|--|------------------------------|
| Duration at Max. Process Temperature (seconds) | 5 |
| Lead-free Process Capability | SMC & Wave Capable (TH only) |
| Max. Cycles at Max. Process Temperature | 1 |
| Process Temperature max. C | 245 |

Material Info

| | |
|-----------------|--------------|
| Old Part Number | A-70567-0278 |
|-----------------|--------------|

Reference - Drawing Numbers

| | |
|-------------------------|----------------|
| Packaging Specification | PK-70873-0018 |
| Product Specification | PS-70567 |
| Sales Drawing | SDA-70567-**** |

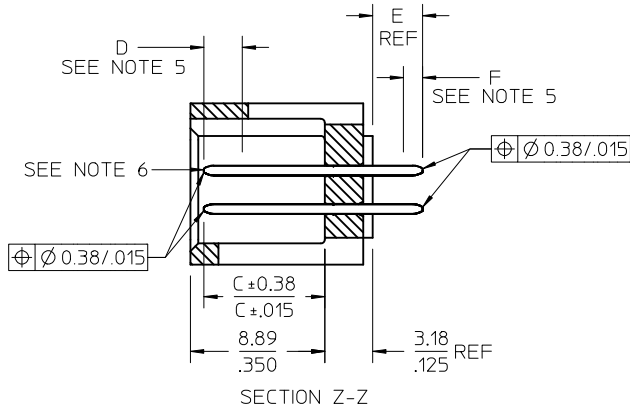
This document was generated on 05/24/2010

PLEASE CHECK WWW.MOLEX.COM FOR LATEST PART INFORMATION

OPTION A

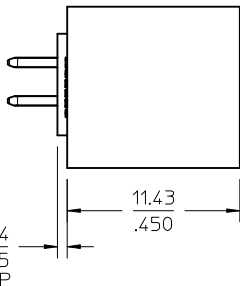


PCB LAYOUT: COMPONENT SIDE
TYPICAL PCB THICKNESS: 2.36/.093



NOTES:

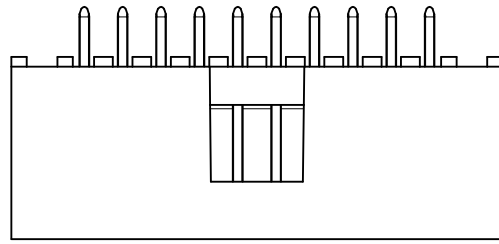
- MATERIAL: SHROUDED WAFER: GLASS FILLED, LIQUID CRYSTAL POLYMER, COLOR: BLACK, 94V-0. PINS: COPPER ALLOY.
- PLATING:
 - TIN 0.00381/.000150 MINIMUM TIN, OVER NICKEL UNDERPLATE OVERALL
 - 15 GOLD 0.00038/.000015 MINIMUM GOLD PLATE IN SELECTED AREA
 - 0.00191/.000075 MINIMUM TIN IN SELECTED AREA OVER NICKEL UNDERPLATE OVERALL
 - 30 GOLD 0.00076/.000030 MINIMUM GOLD PLATE IN SELECTED AREA
 - 0.00191/.000075 MINIMUM TIN IN SELECTED AREA, OVER NICKEL UNDERPLATE OVERALL
- PRODUCT SPECIFICATION: PS-70567.
- PACKAGING: SEE CHARTS
- MEASURE POINT FOR PLATING THICKNESS.
- PIN PUSHOUT FORCE: 4 LBS. MINIMUM IN DIRECTION INDICATED.
- FOR ILLUSTRATION PURPOSES, 20 (DUAL 10) CIRCUIT SIZE HEADER SHOWN.
- PIN SOLDERABILITY PER MOLEX SPEC. SMES-152.
- WINDOW NOT AVAILABLE ON 6 OR 8 CIRCUIT SIZE.
- THIS PART CONFORMS TO CLASS B REQUIREMENTS OF COSMETIC SPECIFICATION PS-45499-002.



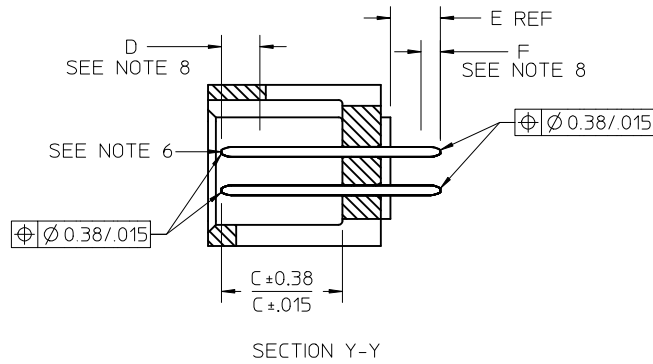
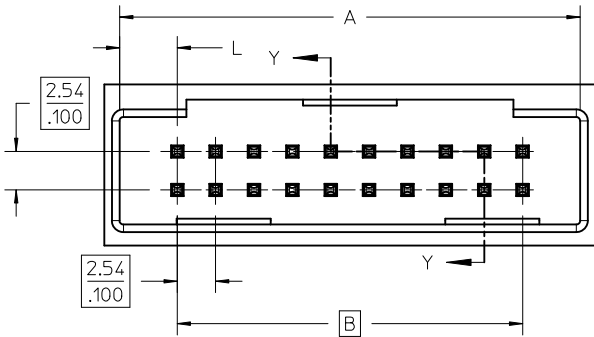
| CKT | DIM A | DIM B | DIM L | DIM M | DIM N |
|-----|-------|-------|-------|-------|-------|
| 06 | 8.43 | 5.08 | 1.68 | 1.68 | |
| | .332 | .200 | .066 | .066 | |
| 08 | 10.97 | 7.62 | 1.68 | 1.68 | |
| | .432 | .300 | .066 | .066 | |
| 10 | 13.51 | 10.16 | 1.68 | 4.22 | |
| | .532 | .400 | .066 | .166 | |
| 12 | 16.05 | 12.70 | 1.68 | 4.22 | |
| | .632 | .500 | .066 | .166 | |
| 14 | 18.59 | 15.24 | 1.68 | 6.76 | |
| | .732 | .600 | .066 | .266 | |
| 16 | 21.13 | 17.78 | 1.68 | 6.76 | |
| | .832 | .700 | .066 | .266 | |
| 18 | 23.67 | 20.32 | 1.68 | 9.30 | |
| | .932 | .800 | .066 | .366 | |
| 20 | 26.21 | 22.86 | 1.68 | 1.68 | 19.46 |
| | 1.032 | .900 | .066 | .066 | .766 |
| 22 | 28.75 | 25.40 | 1.68 | 1.68 | 22.00 |
| | 1.132 | 1.000 | .066 | .066 | .866 |
| 24 | 31.29 | 27.94 | 1.68 | 1.68 | 24.54 |
| | 1.232 | 1.100 | .066 | .066 | .966 |
| 26 | 33.83 | 30.48 | 1.68 | 1.68 | 27.08 |
| | 1.332 | 1.200 | .066 | .066 | 1.066 |
| 28 | 36.37 | 33.02 | 1.68 | 1.68 | 29.62 |
| | 1.432 | 1.300 | .066 | .066 | 1.166 |
| 30 | 38.91 | 35.56 | 1.68 | 1.68 | 32.16 |
| | 1.532 | 1.400 | .066 | .066 | 1.266 |
| 32 | 41.45 | 38.10 | 1.68 | 1.68 | 34.70 |
| | 1.632 | 1.500 | .066 | .066 | 1.366 |
| 34 | 43.99 | 40.64 | 1.68 | 1.68 | 37.24 |
| | 1.732 | 1.600 | .066 | .066 | 1.466 |
| 36 | 46.53 | 43.18 | 1.68 | 1.68 | 39.78 |
| | 1.832 | 1.700 | .066 | .066 | 1.566 |
| 38 | 49.07 | 45.72 | 1.68 | 1.68 | 42.32 |
| | 1.932 | 1.800 | .066 | .066 | 1.666 |
| 40 | 51.61 | 48.26 | 1.68 | 1.68 | 44.86 |
| | 2.032 | 1.900 | .066 | .066 | 1.766 |
| 42 | 54.15 | 50.80 | 1.68 | 1.68 | 47.40 |
| | 2.132 | 2.000 | .066 | .066 | 1.866 |
| 44 | 56.69 | 53.34 | 1.68 | 1.68 | 49.94 |
| | 2.232 | 2.100 | .066 | .066 | 1.966 |
| 46 | 59.23 | 55.88 | 1.68 | 1.68 | 52.48 |
| | 2.332 | 2.200 | .066 | .066 | 2.066 |
| 48 | 61.77 | 58.42 | 1.68 | 1.68 | 55.02 |
| | 2.432 | 2.300 | .066 | .066 | 2.166 |
| 50 | 64.31 | 60.96 | 1.68 | 1.68 | 57.56 |
| | 2.532 | 2.400 | .066 | .066 | 2.266 |
| 52 | 66.85 | 63.50 | 1.68 | 1.68 | 60.10 |
| | 2.632 | 2.500 | .066 | .066 | 2.366 |
| 54 | 69.39 | 66.04 | 1.68 | 1.68 | 62.64 |
| | 2.732 | 2.600 | .066 | .066 | 2.466 |
| 56 | 71.93 | 68.58 | 1.68 | 1.68 | 65.18 |
| | 2.832 | 2.700 | .066 | .066 | 2.566 |
| 58 | 74.47 | 71.12 | 1.68 | 1.68 | 67.72 |
| | 2.932 | 2.800 | .066 | .066 | 2.666 |
| 60 | 77.01 | 73.66 | 1.68 | 1.68 | 70.26 |
| | 3.032 | 2.900 | .066 | .066 | 2.766 |
| 62 | 79.55 | 76.20 | 1.68 | 1.68 | 72.80 |
| | 3.132 | 3.000 | .066 | .066 | 2.866 |
| 64 | 82.09 | 78.74 | 1.68 | 1.68 | 75.34 |
| | 3.232 | 3.100 | .066 | .066 | 2.966 |
| 66 | 84.63 | 81.28 | 1.68 | 1.68 | 77.88 |
| | 3.332 | 3.200 | .066 | .066 | 3.066 |
| 68 | 87.17 | 83.82 | 1.68 | 1.68 | 80.42 |
| | 3.432 | 3.300 | .066 | .066 | 3.166 |
| 70 | 89.71 | 86.36 | 1.68 | 1.68 | 82.96 |
| | 3.532 | 3.400 | .066 | .066 | 3.266 |
| 72 | 92.25 | 88.90 | 1.68 | 1.68 | 85.50 |
| | 3.632 | 3.500 | .066 | .066 | 3.366 |

| | | | | | | | | | |
|---|--------------------------------------|---------------------------------------|------|---|--|--------------------|--------------|------------------------|--|
| MODIFY HOUSING WALL EC NO: UCP2010-1587 DRWINAS BARRA 2010/01/12 CHKD: BARKER 2010/01/12 APPR: SMILLER 2010/03/31 | QUALITY SYMBOLS ▽=0 ▽=0 ▽=0 | GENERAL TOLERANCES (UNLESS SPECIFIED) | | DIMENSION STYLE | | SCALE | DESIGN UNITS | THIRD ANGLE PROJECTION | |
| | | mm | INCH | MM/IN | | 4:1 | INCH | | |
| | | DRAWN BY DATE | | CHECKED BY DATE | | APPROVED BY DATE | | | |
| | | EIK 1988/03/10 | | EIK 1988/03/10 | | SMILLER 2010/03/31 | | | |
| DRAFT WHERE APPLICABLE MUST REMAIN WITHIN DIMENSIONS | | SEE TABLE | | MATERIAL NO. | | DOCUMENT NO. | | SHEET NO. | |
| | | ANGULAR ±1/2° | | THIS DRAWING CONTAINS INFORMATION THAT IS PROPRIETARY TO MOLEX INCORPORATED AND SHOULD NOT BE USED WITHOUT WRITTEN PERMISSION | | SDA-70567-**** | | 1 OF 5 | |

OPTION B

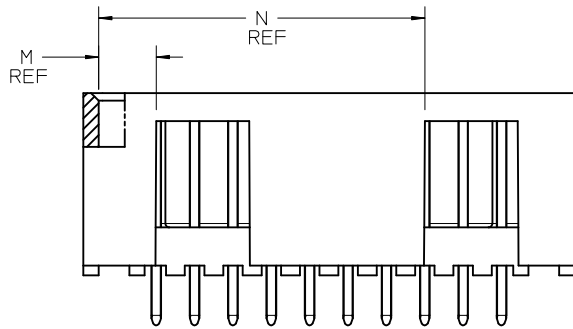


PCB LAYOUT: COMPONENT SIDE
TYPICAL PCB THICKNESS: 2.361.093



NOTES:

- MATERIAL: SHROUDED WAFER: 30% G.F. LCP, COLOR: BLACK, 94V-0. PINS: COPPER ALLOY.
- PLATING:
 TIN - (0.00381)/.000150 MINIMUM TIN OVER NICKEL UNDERPLATE OVERALL
 15 GOLD - (0.000381)/.000015 MINIMUM GOLD PLATE IN SELECTED AREA
 (0.00191)/.000075 MINIMUM TIN IN SELECTED AREA, OVER NICKEL UNDERPLATE OVERALL
 30 GOLD - (0.000761)/.000030 MINIMUM GOLD PLATE IN SELECTED AREA
 (0.00191)/.000075 MINIMUM TIN IN SELECTED AREA, OVER NICKEL UNDERPLATE OVERALL
- PRODUCT SPECIFICATION: PS-70567.
- PACKAGING: SEE CHARTS
- PIN PUSHOUT FORCE: 4 LBS. MIN IN DIRECTION INDICATED.
- FOR ILLUSTRATION PURPOSES, 20 (DUAL 10) CIRCUIT SIZE HEADER SHOWN.
- PIN SOLDERABILITY PER MOLEX SPEC. SMES-152.
- MEASURE POINT FOR PLATING THICKNESS.
- WINDOW IS NOT AVAILABLE ON 6 CIRCUIT.
- THIS PART CONFORMS TO CLASS B REQUIREMENTS OF COSMETIC SPECIFICATION PS-45499-002.
- SEE SHEET 1 FOR ALL OTHER DIMENSIONS



| CKT | DIM A | | DIM B | | DIM L | | DIM M | | DIM N | |
|-----|-------|-------|-------|-------|-------|------|-------|------|-------|-------|
| | mm | INCH | mm | INCH | mm | INCH | mm | INCH | mm | INCH |
| 06 | 12.70 | .500 | 5.08 | .200 | 3.81 | .150 | 3.81 | .150 | | |
| 08 | 15.24 | .600 | 7.62 | .300 | 3.81 | .150 | 3.81 | .150 | | |
| 10 | 17.78 | .700 | 10.16 | .400 | 3.81 | .150 | 6.35 | .250 | | |
| 12 | 20.32 | .800 | 12.70 | .500 | 3.81 | .150 | 6.35 | .250 | | |
| 14 | 22.86 | .900 | 15.24 | .600 | 3.81 | .150 | 8.89 | .350 | | |
| 16 | 25.40 | 1.000 | 17.78 | .700 | 3.81 | .150 | 8.89 | .350 | | |
| 18 | 27.94 | 1.100 | 20.32 | .800 | 3.81 | .150 | 11.43 | .450 | | |
| 20 | 30.48 | 1.200 | 22.86 | .900 | 3.81 | .150 | 3.81 | .150 | 21.59 | .850 |
| 22 | 33.02 | 1.300 | 25.40 | 1.000 | 3.81 | .150 | 3.81 | .150 | 24.13 | .950 |
| 24 | 35.56 | 1.400 | 27.94 | 1.100 | 3.81 | .150 | 3.81 | .150 | 26.67 | 1.050 |
| 26 | 38.10 | 1.500 | 30.48 | 1.200 | 3.81 | .150 | 3.81 | .150 | 29.21 | 1.150 |
| 28 | 40.64 | 1.600 | 33.02 | 1.300 | 3.81 | .150 | 3.81 | .150 | 31.75 | 1.250 |
| 30 | 43.18 | 1.700 | 35.56 | 1.400 | 3.81 | .150 | 3.81 | .150 | 34.29 | 1.350 |
| 32 | 45.72 | 1.800 | 38.10 | 1.500 | 3.81 | .150 | 3.81 | .150 | 36.83 | 1.450 |
| 34 | 48.26 | 1.900 | 40.64 | 1.600 | 3.81 | .150 | 3.81 | .150 | 39.37 | 1.550 |
| 36 | 50.80 | 2.000 | 43.18 | 1.700 | 3.81 | .150 | 3.81 | .150 | 41.91 | 1.650 |
| 38 | 53.34 | 2.100 | 45.72 | 1.800 | 3.81 | .150 | 3.81 | .150 | 44.45 | 1.750 |
| 40 | 55.88 | 2.200 | 48.26 | 1.900 | 3.81 | .150 | 3.81 | .150 | 46.99 | 1.850 |
| 42 | 58.42 | 2.300 | 50.80 | 2.000 | 3.81 | .150 | 3.81 | .150 | 49.53 | 1.950 |
| 44 | 60.96 | 2.400 | 53.34 | 2.100 | 3.81 | .150 | 3.81 | .150 | 52.07 | 2.050 |
| 46 | 63.50 | 2.500 | 55.88 | 2.200 | 3.81 | .150 | 3.81 | .150 | 54.61 | 2.150 |
| 48 | 66.04 | 2.600 | 58.42 | 2.300 | 3.81 | .150 | 3.81 | .150 | 57.15 | 2.250 |
| 50 | 68.58 | 2.700 | 60.96 | 2.400 | 3.81 | .150 | 3.81 | .150 | 59.69 | 2.350 |
| 52 | 71.12 | 2.800 | 63.50 | 2.500 | 3.81 | .150 | 3.81 | .150 | 62.23 | 2.450 |
| 54 | 73.66 | 2.900 | 66.04 | 2.600 | 3.81 | .150 | 3.81 | .150 | 64.77 | 2.550 |
| 56 | 76.20 | 3.000 | 68.58 | 2.700 | 3.81 | .150 | 3.81 | .150 | 67.31 | 2.650 |
| 58 | 78.74 | 3.100 | 71.12 | 2.800 | 3.81 | .150 | 3.81 | .150 | 69.85 | 2.750 |
| 60 | 81.28 | 3.200 | 73.66 | 2.900 | 3.81 | .150 | 3.81 | .150 | 72.39 | 2.850 |
| 62 | 83.82 | 3.300 | 76.20 | 3.000 | 3.81 | .150 | 3.81 | .150 | 74.93 | 2.950 |
| 64 | 86.36 | 3.400 | 78.74 | 3.100 | 3.81 | .150 | 3.81 | .150 | 77.47 | 3.050 |
| 66 | 88.90 | 3.500 | 81.28 | 3.200 | 3.81 | .150 | 3.81 | .150 | 80.01 | 3.150 |
| 68 | 91.44 | 3.600 | 83.82 | 3.300 | 3.81 | .150 | 3.81 | .150 | 82.55 | 3.250 |
| 70 | 93.98 | 3.700 | 86.36 | 3.400 | 3.81 | .150 | 3.81 | .150 | 85.09 | 3.350 |
| 72 | 96.52 | 3.800 | 88.90 | 3.500 | 3.81 | .150 | 3.81 | .150 | 87.63 | 3.450 |

| | | | | | | | | | | |
|--|--------------------------------------|---------------------------------------|------|---------------------------|--|---|--------------|--------------------------------------|--|---------------------|
| MODIFY HOUSING WALL EC NO: UCP2010-1587 DRWN:MS BARRA 2010/01/12 CHKD:BBARKER 2010/01/12 APPR:SMILLER 2010/03/31 | QUALITY SYMBOLS ▽=0 ▽=0 ▽=0 | GENERAL TOLERANCES (UNLESS SPECIFIED) | | DIMENSION STYLE | | SCALE | DESIGN UNITS | THIRD ANGLE PROJECTION | | |
| | | mm | INCH | MM/IN | | 4:1 | INCH | | | |
| | | DRAWN BY DATE | | CHECKED BY DATE | | APPROVED BY DATE | | MOLEX INCORPORATED SDA-70567-**** | | SHEET NO. 2 OF 5 |
| | | EIK 1988/03/10 | | EIK 1988/03/10 | | SMILLER 2010/03/31 | | | | |
| DRAFT WHERE APPLICABLE MUST REMAIN WITHIN DIMENSIONS | | MATERIAL NO. SEE TABLE | | DOCUMENT NO. SEE TABLE | | THIS DRAWING CONTAINS INFORMATION THAT IS PROPRIETARY TO MOLEX INCORPORATED AND SHOULD NOT BE USED WITHOUT WRITTEN PERMISSION | | | | |

| ENGINEERING NUMBER A-70567 | MANUFACTURE RELEASE STATUS | E REF. | C ±.015 (0.38) | CONNECTOR END PLATING | | P.C. BOARD END PLATING | | PACKAGING INFORMATION PK-70873- |
|-------------------------------|----------------------------|-------------|----------------|-----------------------|-------------|------------------------|-------------|------------------------------------|
| | | | | TYPE | D MEAS. | TYPE | F MEAS. | |
| | | | | | | | | |
| -0001/-0034 | R.F.M. | .130 (3.30) | .315 (8.00) | TIN | .100 (2.54) | TIN | .050 (1.27) | 0018 |
| -0035/-0068 | R.F.M. | .200 (5.08) | .315 (8.00) | TIN | .100 (2.54) | TIN | .050 (1.27) | 0018 |
| -0069/-0102 | R.F.M. | .190 (3.30) | .315 (8.00) | 15 GOLD | .100 (2.54) | TIN | .050 (1.27) | 0018 |
| -0103/-0136 | R.F.M. | .200 (5.08) | .315 (8.00) | 15 GOLD | .100 (2.54) | TIN | .050 (1.27) | 0018 |
| -0137/-0170 | R.F.M. | .130 (3.30) | .315 (8.00) | 30 GOLD | .100 (2.54) | TIN | .050 (1.27) | 0018 |
| -0171/-0204 | R.F.M. | .200 (5.08) | .315 (8.00) | 30 GOLD | .100 (2.54) | TIN | .050 (1.27) | 0018 |

| NO. OF CKTS | OPTION "A" | | OPTION "A" | | OPTION "A" | | OPTION "A" | | OPTION "A" | | OPTION "A" | | | | | | | | NO. OF CKTS |
|-------------|------------|--------------|------------|--------------|------------|--------------|------------|--------------|------------|--------------|------------|--------------|------------|------------|------------|------------|------------|------------|-------------|
| | EDP NUMBER | ENG NUMBER | EDP NUMBER | ENG NUMBER | EDP NUMBER | ENG NUMBER | EDP NUMBER | ENG NUMBER | EDP NUMBER | ENG NUMBER | EDP NUMBER | ENG NUMBER | EDP NUMBER | ENG NUMBER | EDP NUMBER | ENG NUMBER | EDP NUMBER | ENG NUMBER | |
| 06 | 15-80-0061 | A-70567-0001 | 70567-0035 | A-70567-0035 | 15-80-0063 | A-70567-0069 | 70567-0103 | A-70567-0103 | 15-80-0065 | A-70567-0137 | 70567-0171 | A-70567-0171 | | | | | | | 06 |
| 08 | 15-80-0081 | A-70567-0002 | 70567-0036 | A-70567-0036 | 15-80-0083 | A-70567-0070 | 70567-0104 | A-70567-0104 | 15-80-0085 | A-70567-0138 | 70567-0172 | A-70567-0172 | | | | | | | 08 |
| 10 | 15-80-0101 | A-70567-0003 | 70567-0037 | A-70567-0037 | 15-80-0103 | A-70567-0071 | 70567-0105 | A-70567-0105 | 15-80-0105 | A-70567-0139 | 70567-0173 | A-70567-0173 | | | | | | | 10 |
| 12 | 15-80-0121 | A-70567-0004 | 70567-0038 | A-70567-0038 | 15-80-0123 | A-70567-0072 | 70567-0106 | A-70567-0106 | 15-80-0125 | A-70567-0140 | 70567-0174 | A-70567-0174 | | | | | | | 12 |
| 14 | 15-80-0141 | A-70567-0005 | 70567-0039 | A-70567-0039 | 15-80-0143 | A-70567-0073 | 70567-0107 | A-70567-0107 | 15-80-0145 | A-70567-0141 | 70567-0175 | A-70567-0175 | | | | | | | 14 |
| 16 | 15-80-0161 | A-70567-0006 | 70567-0040 | A-70567-0040 | 15-80-0163 | A-70567-0074 | 70567-0108 | A-70567-0108 | 15-80-0165 | A-70567-0142 | 70567-0176 | A-70567-0176 | | | | | | | 16 |
| 18 | 15-80-0181 | A-70567-0007 | 70567-0041 | A-70567-0041 | 15-80-0183 | A-70567-0075 | 70567-0109 | A-70567-0109 | 15-80-0185 | A-70567-0143 | 70567-0177 | A-70567-0177 | | | | | | | 18 |
| 20 | 15-80-0201 | A-70567-0008 | 70567-0042 | A-70567-0042 | 15-80-0203 | A-70567-0076 | 70567-0110 | A-70567-0110 | 15-80-0205 | A-70567-0144 | 70567-0178 | A-70567-0178 | | | | | | | 20 |
| 22 | 15-80-0221 | A-70567-0009 | 70567-0043 | A-70567-0043 | 15-80-0223 | A-70567-0077 | 70567-0111 | A-70567-0111 | 15-80-0225 | A-70567-0145 | 70567-0179 | A-70567-0179 | | | | | | | 22 |
| 24 | 15-80-0241 | A-70567-0010 | 70567-0044 | A-70567-0044 | 15-80-0243 | A-70567-0078 | 70567-0112 | A-70567-0112 | 15-80-0245 | A-70567-0146 | 70567-0180 | A-70567-0180 | | | | | | | 24 |
| 26 | 15-80-0261 | A-70567-0011 | 70567-0045 | A-70567-0045 | 15-80-0263 | A-70567-0079 | 70567-0113 | A-70567-0113 | 15-80-0265 | A-70567-0147 | 70567-0181 | A-70567-0181 | | | | | | | 26 |
| 28 | 15-80-0281 | A-70567-0012 | 70567-0046 | A-70567-0046 | 15-80-0283 | A-70567-0080 | 70567-0114 | A-70567-0114 | 15-80-0285 | A-70567-0148 | 70567-0182 | A-70567-0182 | | | | | | | 28 |
| 30 | 15-80-0301 | A-70567-0013 | 70567-0047 | A-70567-0047 | 15-80-0303 | A-70567-0081 | 70567-0115 | A-70567-0115 | 15-80-0305 | A-70567-0149 | 70567-0183 | A-70567-0183 | | | | | | | 30 |
| 32 | 15-80-0321 | A-70567-0014 | 70567-0048 | A-70567-0048 | 15-80-0323 | A-70567-0082 | 70567-0116 | A-70567-0116 | 15-80-0325 | A-70567-0150 | 70567-0184 | A-70567-0184 | | | | | | | 32 |
| 34 | 15-80-0341 | A-70567-0015 | 70567-0049 | A-70567-0049 | 15-80-0343 | A-70567-0083 | 70567-0117 | A-70567-0117 | 15-80-0345 | A-70567-0151 | 70567-0185 | A-70567-0185 | | | | | | | 34 |
| 36 | 15-80-0361 | A-70567-0016 | 70567-0050 | A-70567-0050 | 15-80-0363 | A-70567-0084 | 70567-0118 | A-70567-0118 | 15-80-0365 | A-70567-0152 | 70567-0186 | A-70567-0186 | | | | | | | 36 |
| 38 | 15-80-0381 | A-70567-0017 | 70567-0051 | A-70567-0051 | 15-80-0383 | A-70567-0085 | 70567-0119 | A-70567-0119 | 15-80-0385 | A-70567-0153 | 70567-0187 | A-70567-0187 | | | | | | | 38 |
| 40 | 15-80-0401 | A-70567-0018 | 70567-0052 | A-70567-0052 | 15-80-0403 | A-70567-0086 | 70567-0120 | A-70567-0120 | 15-80-0405 | A-70567-0154 | 70567-0188 | A-70567-0188 | | | | | | | 40 |
| 42 | 15-80-0421 | A-70567-0019 | 70567-0053 | A-70567-0053 | 15-80-0423 | A-70567-0087 | 70567-0121 | A-70567-0121 | 15-80-0425 | A-70567-0155 | 70567-0189 | A-70567-0189 | | | | | | | 42 |
| 44 | 15-80-0441 | A-70567-0020 | 70567-0054 | A-70567-0054 | 15-80-0443 | A-70567-0088 | 70567-0122 | A-70567-0122 | 15-80-0445 | A-70567-0156 | 70567-0190 | A-70567-0190 | | | | | | | 44 |
| 46 | 15-80-0461 | A-70567-0021 | 70567-0055 | A-70567-0055 | 15-80-0463 | A-70567-0089 | 70567-0123 | A-70567-0123 | 15-80-0465 | A-70567-0157 | 70567-0191 | A-70567-0191 | | | | | | | 46 |
| 48 | 15-80-0481 | A-70567-0022 | 70567-0056 | A-70567-0056 | 15-80-0483 | A-70567-0090 | 70567-0124 | A-70567-0124 | 15-80-0485 | A-70567-0158 | 70567-0192 | A-70567-0192 | | | | | | | 48 |
| 50 | 15-80-0501 | A-70567-0023 | 70567-0057 | A-70567-0057 | 15-80-0503 | A-70567-0091 | 70567-0125 | A-70567-0125 | 15-80-0505 | A-70567-0159 | 70567-0193 | A-70567-0193 | | | | | | | 50 |
| 52 | 15-80-0521 | A-70567-0024 | 70567-0058 | A-70567-0058 | 15-80-0523 | A-70567-0092 | 70567-0126 | A-70567-0126 | 15-80-0525 | A-70567-0160 | 70567-0194 | A-70567-0194 | | | | | | | 52 |
| 54 | 15-80-0541 | A-70567-0025 | 70567-0059 | A-70567-0059 | 15-80-0543 | A-70567-0093 | 70567-0127 | A-70567-0127 | 15-80-0545 | A-70567-0161 | 70567-0195 | A-70567-0195 | | | | | | | 54 |
| 56 | 15-80-0561 | A-70567-0026 | 70567-0060 | A-70567-0060 | 15-80-0563 | A-70567-0094 | 70567-0128 | A-70567-0128 | 15-80-0565 | A-70567-0162 | 70567-0196 | A-70567-0196 | | | | | | | 56 |
| 58 | 15-80-0581 | A-70567-0027 | 70567-0061 | A-70567-0061 | 15-80-0583 | A-70567-0095 | 70567-0129 | A-70567-0129 | 15-80-0585 | A-70567-0163 | 70567-0197 | A-70567-0197 | | | | | | | 58 |
| 60 | 15-80-0601 | A-70567-0028 | 70567-0062 | A-70567-0062 | 15-80-0603 | A-70567-0096 | 70567-0130 | A-70567-0130 | 15-80-0605 | A-70567-0164 | 70567-0198 | A-70567-0198 | | | | | | | 60 |
| 62 | 15-80-0621 | A-70567-0029 | 70567-0063 | A-70567-0063 | 15-80-0623 | A-70567-0097 | 70567-0131 | A-70567-0131 | 15-80-0625 | A-70567-0165 | 70567-0199 | A-70567-0199 | | | | | | | 62 |
| 64 | 15-80-0641 | A-70567-0030 | 70567-0064 | A-70567-0064 | 15-80-0643 | A-70567-0098 | 70567-0132 | A-70567-0132 | 15-80-0645 | A-70567-0166 | 70567-0200 | A-70567-0200 | | | | | | | 64 |
| 66 | 15-80-0661 | A-70567-0031 | 70567-0065 | A-70567-0065 | 15-80-0663 | A-70567-0099 | 70567-0133 | A-70567-0133 | 15-80-0665 | A-70567-0167 | 70567-0201 | A-70567-0201 | | | | | | | 66 |
| 68 | 15-80-0681 | A-70567-0032 | 70567-0066 | A-70567-0066 | 15-80-0683 | A-70567-0100 | 70567-0134 | A-70567-0134 | 15-80-0685 | A-70567-0168 | 70567-0202 | A-70567-0202 | | | | | | | 68 |
| 70 | 15-80-0701 | A-70567-0033 | 70567-0067 | A-70567-0067 | 15-80-0703 | A-70567-0101 | 70567-0135 | A-70567-0135 | 15-80-0705 | A-70567-0169 | 70567-0203 | A-70567-0203 | | | | | | | 70 |
| 72 | 15-80-0721 | A-70567-0034 | 70567-0068 | A-70567-0068 | 15-80-0723 | A-70567-0102 | 70567-0136 | A-70567-0136 | 15-80-0725 | A-70567-0170 | 70567-0204 | A-70567-0204 | | | | | | | 72 |

| SEE SHEETS 1 & 2 EC NO. UCP2010-1587 2010/01/12 DRWNS BARBA CHKD BARKER 2010/01/12 APPR. SMILLER 2010/03/31 | QUALITY SYMBOLS ∇=0 ∇=0 ∇=0 | GENERAL TOLERANCES (UNLESS SPECIFIED) <table border="1"> <tr><th></th><th>mm</th><th>INCH</th></tr> <tr><td>4 PLACES ±</td><td>---</td><td>---</td></tr> <tr><td>3 PLACES ±</td><td>+.005</td><td>+.010</td></tr> <tr><td>2 PLACES ±</td><td>0.13</td><td>0.010</td></tr> <tr><td>1 PLACE ±</td><td>0.25</td><td>---</td></tr> </table> | | mm | INCH | 4 PLACES ± | --- | --- | 3 PLACES ± | +.005 | +.010 | 2 PLACES ± | 0.13 | 0.010 | 1 PLACE ± | 0.25 | --- | DIMENSION STYLE MM/IN | SCALE 1:1 | DESIGN UNITS INCH | THIRD ANGLE PROJECTION |
|---|---|---|---------------------------------------|----------------------------|------|------------|-----|-----|------------|-------|-------|------------|------|-------|-----------|------|-----|---------------------------------|---------------------|-----------------------------|-----------------------------------|
| | | | mm | INCH | | | | | | | | | | | | | | | | | |
| | | 4 PLACES ± | --- | --- | | | | | | | | | | | | | | | | | |
| | | 3 PLACES ± | +.005 | +.010 | | | | | | | | | | | | | | | | | |
| 2 PLACES ± | 0.13 | 0.010 | | | | | | | | | | | | | | | | | | | |
| 1 PLACE ± | 0.25 | --- | | | | | | | | | | | | | | | | | | | |
| DRAWN BY: EIK DATE: 1988/03/10 CHECKED BY: EIK DATE: 1988/03/10 APPROVED BY: SMILLER DATE: 2010/03/31 | TITLE 4 SIDES SHROUDED HEADER HIGH TEMP. (2.54)/.100 GRID W/ (.064)/.025 PINS | MATERIAL NO. SEE TABLE | DOCUMENT NO. SDA-70567-**** | SHEET NO. 3 OF 5 | | | | | | | | | | | | | | | | | |
| DRAFT WHERE APPLICABLE MUST REMAIN WITHIN DIMENSIONS | | | | | | | | | | | | | | | | | | | | | |
| THIS DRAWING CONTAINS INFORMATION THAT IS PROPRIETARY TO MOLEX INCORPORATED AND SHOULD NOT BE USED WITHOUT WRITTEN PERMISSION | | | | | | | | | | | | | | | | | | | | | |

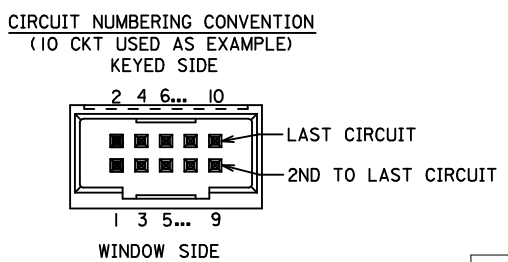
| ENGINEERING NUMBER A-70567 | MANUFACTURE RELEASE STATUS | E REF. | C ±.015 (0.38) | CONNECTOR END PLATING | | | P.C. BOARD END PLATING | | | PACKAGING INFORMATION PK-70873- |
|-------------------------------|----------------------------------|----------------|----------------------|-----------------------|----------------|------|------------------------|------|--|---------------------------------------|
| | | | | TYPE | D MEAS. | TYPE | F MEAS. | | | |
| | | | | | | | | | | |
| -0205/-0238 | R.F.M. | .130 (3.30) | .315 (8.00) | TIN | .100 (2.54) | TIN | .050 (1.27) | 0018 | | |
| -0239/-0272 | R.F.M. | .200 (5.08) | .315 (8.00) | TIN | .100 (2.54) | TIN | .050 (1.27) | 0018 | | |
| -0273/-0306 | R.F.M. | .150 (3.30) | .315 (8.00) | 15 GOLD | .100 (2.54) | TIN | .050 (1.27) | 0018 | | |
| -0307/-0340 | R.F.M. | .200 (5.08) | .315 (8.00) | 15 GOLD | .100 (2.54) | TIN | .050 (1.27) | 0018 | | |
| -0341/-0374 | R.F.M. | .150 (3.30) | .315 (8.00) | 30 GOLD | .100 (2.54) | TIN | .050 (1.27) | 0018 | | |
| -0375/-0408 | R.F.M. | .200 (5.08) | .315 (8.00) | 30 GOLD | .100 (2.54) | TIN | .050 (1.27) | 0018 | | |

| NO. OF CKTS | OPTION "B" | | OPTION "B" | | OPTION "B" | | OPTION "B" | | OPTION "B" | | OPTION "B" | | | | | | | | NO. OF CKTS |
|----------------|------------|--------------|------------|--------------|------------|--------------|------------|--------------|------------|--------------|------------|--------------|------------|------------|------------|------------|------------|------------|----------------|
| | EDP NUMBER | ENG NUMBER | EDP NUMBER | ENG NUMBER | EDP NUMBER | ENG NUMBER | EDP NUMBER | ENG NUMBER | EDP NUMBER | ENG NUMBER | EDP NUMBER | ENG NUMBER | EDP NUMBER | ENG NUMBER | EDP NUMBER | ENG NUMBER | EDP NUMBER | ENG NUMBER | |
| 06 | 15-80-0067 | A-70567-0205 | 70567-0239 | A-70567-0239 | 15-80-0069 | A-70567-0273 | 70567-0307 | A-70567-0307 | 15-80-1061 | A-70567-0341 | 70567-0375 | A-70567-0375 | | | | | | | 06 |
| 08 | 15-80-0087 | A-70567-0206 | 70567-0240 | A-70567-0240 | 15-80-0089 | A-70567-0274 | 70567-0308 | A-70567-0308 | 15-80-1081 | A-70567-0342 | 70567-0376 | A-70567-0376 | | | | | | | 08 |
| 10 | 15-80-0107 | A-70567-0207 | 70567-0241 | A-70567-0241 | 15-80-0109 | A-70567-0275 | 70567-0309 | A-70567-0309 | 15-80-1101 | A-70567-0343 | 70567-0377 | A-70567-0377 | | | | | | | 10 |
| 12 | 15-80-0127 | A-70567-0208 | 70567-0242 | A-70567-0242 | 15-80-0129 | A-70567-0276 | 70567-0310 | A-70567-0310 | 15-80-1121 | A-70567-0344 | 70567-0378 | A-70567-0378 | | | | | | | 12 |
| 14 | 15-80-0147 | A-70567-0209 | 70567-0243 | A-70567-0243 | 15-80-0149 | A-70567-0277 | 70567-0311 | A-70567-0311 | 15-80-1141 | A-70567-0345 | 70567-0379 | A-70567-0379 | | | | | | | 14 |
| 16 | 15-80-0167 | A-70567-0210 | 70567-0244 | A-70567-0244 | 15-80-0169 | A-70567-0278 | 70567-0312 | A-70567-0312 | 15-80-1161 | A-70567-0346 | 70567-0380 | A-70567-0380 | | | | | | | 16 |
| 18 | 15-80-0187 | A-70567-0211 | 70567-0245 | A-70567-0245 | 15-80-0189 | A-70567-0279 | 70567-0313 | A-70567-0313 | 15-80-1181 | A-70567-0347 | 70567-0381 | A-70567-0381 | | | | | | | 18 |
| 20 | 15-80-0207 | A-70567-0212 | 70567-0246 | A-70567-0246 | 15-80-0209 | A-70567-0280 | 70567-0314 | A-70567-0314 | 15-80-1201 | A-70567-0348 | 70567-0382 | A-70567-0382 | | | | | | | 20 |
| 22 | 15-80-0227 | A-70567-0213 | 70567-0247 | A-70567-0247 | 15-80-0229 | A-70567-0281 | 70567-0315 | A-70567-0315 | 15-80-1221 | A-70567-0349 | 70567-0383 | A-70567-0383 | | | | | | | 22 |
| 24 | 15-80-0247 | A-70567-0214 | 70567-0248 | A-70567-0248 | 15-80-0249 | A-70567-0282 | 70567-0316 | A-70567-0316 | 15-80-1241 | A-70567-0350 | 70567-0384 | A-70567-0384 | | | | | | | 24 |
| 26 | 15-80-0267 | A-70567-0215 | 70567-0249 | A-70567-0249 | 15-80-0269 | A-70567-0283 | 70567-0317 | A-70567-0317 | 15-80-1261 | A-70567-0351 | 70567-0385 | A-70567-0385 | | | | | | | 26 |
| 28 | 15-80-0287 | A-70567-0216 | 70567-0250 | A-70567-0250 | 15-80-0289 | A-70567-0284 | 70567-0318 | A-70567-0318 | 15-80-1281 | A-70567-0352 | 70567-0386 | A-70567-0386 | | | | | | | 28 |
| 30 | 15-80-0307 | A-70567-0217 | 70567-0251 | A-70567-0251 | 15-80-0309 | A-70567-0285 | 70567-0319 | A-70567-0319 | 15-80-1301 | A-70567-0353 | 70567-0387 | A-70567-0387 | | | | | | | 30 |
| 32 | 15-80-0327 | A-70567-0218 | 70567-0252 | A-70567-0252 | 15-80-0329 | A-70567-0286 | 70567-0320 | A-70567-0320 | 15-80-1321 | A-70567-0354 | 70567-0388 | A-70567-0388 | | | | | | | 32 |
| 34 | 15-80-0347 | A-70567-0219 | 70567-0253 | A-70567-0253 | 15-80-0349 | A-70567-0287 | 70567-0321 | A-70567-0321 | 15-80-1341 | A-70567-0355 | 70567-0389 | A-70567-0389 | | | | | | | 34 |
| 36 | 15-80-0367 | A-70567-0220 | 70567-0254 | A-70567-0254 | 15-80-0369 | A-70567-0288 | 70567-0322 | A-70567-0322 | 15-80-1361 | A-70567-0356 | 70567-0390 | A-70567-0390 | | | | | | | 36 |
| 38 | 15-80-0387 | A-70567-0221 | 70567-0255 | A-70567-0255 | 15-80-0389 | A-70567-0289 | 70567-0323 | A-70567-0323 | 15-80-1381 | A-70567-0357 | 70567-0391 | A-70567-0391 | | | | | | | 38 |
| 40 | 15-80-0407 | A-70567-0222 | 70567-0256 | A-70567-0256 | 15-80-0409 | A-70567-0290 | 70567-0324 | A-70567-0324 | 15-80-1401 | A-70567-0358 | 70567-0392 | A-70567-0392 | | | | | | | 40 |
| 42 | 15-80-0427 | A-70567-0223 | 70567-0257 | A-70567-0257 | 15-80-0429 | A-70567-0291 | 70567-0325 | A-70567-0325 | 15-80-1421 | A-70567-0359 | 70567-0393 | A-70567-0393 | | | | | | | 42 |
| 44 | 15-80-0447 | A-70567-0224 | 70567-0258 | A-70567-0258 | 15-80-0449 | A-70567-0292 | 70567-0326 | A-70567-0326 | 15-80-1441 | A-70567-0360 | 70567-0394 | A-70567-0394 | | | | | | | 44 |
| 46 | 15-80-0467 | A-70567-0225 | 70567-0259 | A-70567-0259 | 15-80-0469 | A-70567-0293 | 70567-0327 | A-70567-0327 | 15-80-1461 | A-70567-0361 | 70567-0395 | A-70567-0395 | | | | | | | 46 |
| 48 | 15-80-0487 | A-70567-0226 | 70567-0260 | A-70567-0260 | 15-80-0489 | A-70567-0294 | 70567-0328 | A-70567-0328 | 15-80-1481 | A-70567-0362 | 70567-0396 | A-70567-0396 | | | | | | | 48 |
| 50 | 15-80-0507 | A-70567-0227 | 70567-0261 | A-70567-0261 | 15-80-0509 | A-70567-0295 | 70567-0329 | A-70567-0329 | 15-80-1501 | A-70567-0363 | 70567-0397 | A-70567-0397 | | | | | | | 50 |
| 52 | 15-80-0527 | A-70567-0228 | 70567-0262 | A-70567-0262 | 15-80-0529 | A-70567-0296 | 70567-0330 | A-70567-0330 | 15-80-1521 | A-70567-0364 | 70567-0398 | A-70567-0398 | | | | | | | 52 |
| 54 | 15-80-0547 | A-70567-0229 | 70567-0263 | A-70567-0263 | 15-80-0549 | A-70567-0297 | 70567-0331 | A-70567-0331 | 15-80-1541 | A-70567-0365 | 70567-0399 | A-70567-0399 | | | | | | | 54 |
| 56 | 15-80-0567 | A-70567-0230 | 70567-0264 | A-70567-0264 | 15-80-0569 | A-70567-0298 | 70567-0332 | A-70567-0332 | 15-80-1561 | A-70567-0366 | 70567-0400 | A-70567-0400 | | | | | | | 56 |
| 58 | 15-80-0587 | A-70567-0231 | 70567-0265 | A-70567-0265 | 15-80-0589 | A-70567-0299 | 70567-0333 | A-70567-0333 | 15-80-1581 | A-70567-0367 | 70567-0401 | A-70567-0401 | | | | | | | 58 |
| 60 | 15-80-0607 | A-70567-0232 | 70567-0266 | A-70567-0266 | 15-80-0609 | A-70567-0300 | 70567-0334 | A-70567-0334 | 15-80-1601 | A-70567-0368 | 70567-0402 | A-70567-0402 | | | | | | | 60 |
| 62 | 15-80-0627 | A-70567-0233 | 70567-0267 | A-70567-0267 | 15-80-0629 | A-70567-0301 | 70567-0335 | A-70567-0335 | 15-80-1621 | A-70567-0369 | 70567-0403 | A-70567-0403 | | | | | | | 62 |
| 64 | 15-80-0647 | A-70567-0234 | 70567-0268 | A-70567-0268 | 15-80-0649 | A-70567-0302 | 70567-0336 | A-70567-0336 | 15-80-1641 | A-70567-0370 | 70567-0404 | A-70567-0404 | | | | | | | 64 |
| 66 | 15-80-0667 | A-70567-0235 | 70567-0269 | A-70567-0269 | 15-80-0669 | A-70567-0303 | 70567-0337 | A-70567-0337 | 15-80-1661 | A-70567-0371 | 70567-0405 | A-70567-0405 | | | | | | | 66 |
| 68 | 15-80-0687 | A-70567-0236 | 70567-0270 | A-70567-0270 | 15-80-0689 | A-70567-0304 | 70567-0338 | A-70567-0338 | 15-80-1681 | A-70567-0372 | 70567-0406 | A-70567-0406 | | | | | | | 68 |
| 70 | 15-80-0707 | A-70567-0237 | 70567-0271 | A-70567-0271 | 15-80-0709 | A-70567-0305 | 70567-0339 | A-70567-0339 | 15-80-1701 | A-70567-0373 | 70567-0407 | A-70567-0407 | | | | | | | 70 |
| 72 | 15-80-0727 | A-70567-0238 | 70567-0272 | A-70567-0272 | 15-80-0729 | A-70567-0306 | 70567-0340 | A-70567-0340 | 15-80-1721 | A-70567-0374 | 70567-0408 | A-70567-0408 | | | | | | | 72 |

| | | | | | | |
|---|--|--|---|--|---|---|
| SEE SHEETS 1 & 2 EC NO: UCT 2010-1587 DRAWN BY: CHKO/BARKER 2010/01/12 APPR: MILLER 2010/03/31 REV DESCRIPTION | QUALITY SYMBOLS ∇=0 ∇=0 ∇=0 | GENERAL TOLERANCES (UNLESS SPECIFIED) mm INCH 4 PLACES ±.005 ±.005 3 PLACES ±.010 ±.010 2 PLACES ±.015 ±.015 1 PLACE ±.025 ±.025 ANGULAR ±1/2° | DIMENSION STYLE MM/IN DRAWN BY DATE EIK 1988/03/10 CHECKED BY DATE EIK 1988/03/10 APPROVED BY DATE MILLER 2010/03/31 | SCALE 1:1 DESIGN UNITS INCH THIRD ANGLE PROJECTION | 4 SIDES SHROUDED HEADER HIGH TEMP. (2.54)/.100 GRID W/ (.64)/.025 PINS MOLEX INCORPORATED | MATERIAL NO. SDA-70567-**** SHEET NO. 4 OF 5 |
| | DRAFT WHERE APPLICABLE MUST REMAIN WITHIN DIMENSIONS | | SEE TABLE | | THIS DRAWING CONTAINS INFORMATION THAT IS PROPRIETARY TO MOLEX INCORPORATED AND SHOULD NOT BE USED WITHOUT WRITTEN PERMISSION | |

SPECIAL - WITH VOIDS

| CKTS SIZE | ENGINEERING NUMBER A-70567 | EDP NUMBER | E REF. | C $\pm \frac{.015}{(0.38)}$ | K $\pm \frac{.015}{(0.38)}$ | VOID CKTS | CONNECTOR END PLATING | | P.C. BOARD END PLATING | | PACKAGING INFORMATION PK-70873- |
|-----------|-------------------------------|------------|----------------|--------------------------------|--------------------------------|-----------|-----------------------|----------------|------------------------|----------------|------------------------------------|
| | | | | | | | TYPE | D MEAS. | TYPE | F MEAS. | |
| 10 | -9003 | 70567-9003 | .130 (3.30) | .315 (8.00) | .415 (10.54) | 10 | GOLD | .100 (2.54) | TIN | .050 (.127) | 0018 |
| | | | | | | | | | | | |
| | | | | | | | | | | | |
| | | | | | | | | | | | |
| | | | | | | | | | | | |
| | | | | | | | | | | | |
| | | | | | | | | | | | |
| | | | | | | | | | | | |
| | | | | | | | | | | | |
| | | | | | | | | | | | |
| | | | | | | | | | | | |
| | | | | | | | | | | | |
| | | | | | | | | | | | |
| | | | | | | | | | | | |
| | | | | | | | | | | | |
| | | | | | | | | | | | |
| | | | | | | | | | | | |
| | | | | | | | | | | | |
| | | | | | | | | | | | |
| | | | | | | | | | | | |
| | | | | | | | | | | | |



| SEE SHEETS 1 & 2 EC NO: UCP2010-1587 DRWN:MSIBARRA 2010/01/12 CHKD:BBARKER 2010/01/12 APPR:SMILLER 2010/03/31 | QUALITY SYMBOLS ▽=0 ▽=0 ▽=0 | GENERAL TOLERANCES (UNLESS SPECIFIED) <table border="1"> <tr> <th></th> <th>mm</th> <th>INCH</th> </tr> <tr> <td>4 PLACES</td> <td>± .---</td> <td>± .---</td> </tr> <tr> <td>3 PLACES</td> <td>± .---</td> <td>± .005</td> </tr> <tr> <td>2 PLACES</td> <td>± 0.13</td> <td>± .010</td> </tr> <tr> <td>1 PLACE</td> <td>± 0.25</td> <td>± .---</td> </tr> </table> | | mm | INCH | 4 PLACES | ± .--- | ± .--- | 3 PLACES | ± .--- | ± .005 | 2 PLACES | ± 0.13 | ± .010 | 1 PLACE | ± 0.25 | ± .--- | DIMENSION STYLE MM/IN DRAWN BY DATE EIK 1988/03/10 CHECKED BY DATE EIK 1988/03/10 APPROVED BY DATE SMILLER 2010/03/31 | SCALE 4:1 DESIGN UNITS INCH THIRD ANGLE PROJECTION | TITLE 4 SIDES SHROUDED HEADER HIGH TEMP. (2.54)/.100 GRID W/ (.64)/.025 PINS |
|--|--------------------------------------|--|---------------------------------------|----------------------------|------|----------|--------|--------|----------|--------|--------|----------|--------|--------|---------|--------|--------|---|---|--|
| | | mm | INCH | | | | | | | | | | | | | | | | | |
| | 4 PLACES | ± .--- | ± .--- | | | | | | | | | | | | | | | | | |
| | 3 PLACES | ± .--- | ± .005 | | | | | | | | | | | | | | | | | |
| 2 PLACES | ± 0.13 | ± .010 | | | | | | | | | | | | | | | | | | |
| 1 PLACE | ± 0.25 | ± .--- | | | | | | | | | | | | | | | | | | |
| DRAFT WHERE APPLICABLE MUST REMAIN WITHIN DIMENSIONS | MATERIAL NO. SEE TABLE | MOLEX INCORPORATED | DOCUMENT NO. SDA-70567-**** | SHEET NO. 5 OF 5 | | | | | | | | | | | | | | | | |
| THIS DRAWING CONTAINS INFORMATION THAT IS PROPRIETARY TO MOLEX INCORPORATED AND SHOULD NOT BE USED WITHOUT WRITTEN PERMISSION | | | | | | | | | | | | | | | | | | | | |
| SIZE C | | | | | | | | | | | | | | | | | | | | |