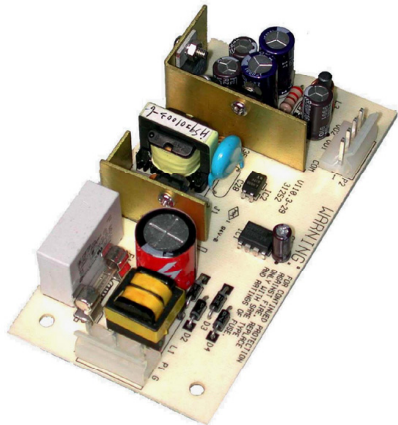


HiTRON

UNIVERSAL INPUT AC-DC PCB OPEN FRAME DUAL OUTPUT 10.5 WATTS INTERNAL SWITCHING POWER SUPPLIES HVI10.5 SERIES



FEATURES:

- ACCOMMODATE UNIVERSAL AC SOURCES
- COMPACT PCB OPEN FRAME FORMAT
- MEET UNIVERSAL SAFETY STANDARDS
- EMI MEET CISPR PUB. 22 & FCC CLASS B
- CE MARKING COMPLIANCE

SPECIFICATION

INPUT SPECIFICATION

Input Voltage: Range Typ. 90-264Vac.
Rating 100 to 240Vac.
Input Connector: Molex # 5273.
Input Frequency: 47-63Hz.
Inrush Current: Typ. $\leq 30.6A$ @230Vac.
Input Current: Typ. 0.3A @115Vac, 0.15A @ 230Vac.
Dielectric Withstand: Meet IEC950.
EMI: Meet CISPR PUB. 22 & FCC Class B.
Hold-up Time: Typ. 10mS @115Vac, 40mS @230Vac.
Earth leakage: Typ. 0.253mA @230Vac.
Overload Protection (OLP): Fully protected against output overload and short circuit.
Consult the factory for OLP setting.

OUTPUT SPECIFICATION

Output Voltage: See Ratings Chart.
Output Current: See Ratings Chart.
Output Wattage: Typ. 10.5 watts.
Output Connector: Molex # 5273.
Line Regulation: Typ. 0.1%.
Load Regulation: Main VO1 typ. $\pm 1-2\%$.
Aux. VO2 typ. $\pm 2-3\%$ (P.R.).
or $\pm 3-5\%$ (stacked-on).
Noise & Ripple: Typ. 1.0% peak to peak.
OVP: Built-in at main output VO1 (Zener diode).
Adjustability: Available at main output VO1.

GENERAL SPECIFICATION

Efficiency: Typ. 70-75%.
Switching Frequency: Typ. 40K Hz.
Circuit Topology: Fixed frequency flyback circuit.
Transient Response: Output voltage returns in less than 3mS following a 25% load change.
Safety Standard: IEC950/UL1950 Class II.

Operating Temperature: 0 to +50°C.
Storage Temperature: -20 to +85°C.
Temperature Coefficient: Typ. 0.04%/°C.
Cooling: Free air convection.
Construction: PCB open frame format.
Power Density: 1.10Watts / Cubic Inch.



In application

OUTPUT VOLTAGE/CURRENT RATINGS CHART

DUAL OUTPUT

MODEL NO.	MAIN VO1 @★			AUX. ±VO2 ● or †		
	Typ.	Volt.	Max.	Typ.	Volt.	Max./Pk.
HVI10.5-D033E	2.5A	+3.3V	3.0A	0.5A	5.0V	1.0A/-
HVI10.5-D033I	2.5A	+3.3V	3.0A	0.2A	12.0V	1.0A/2.0A
HVI10.5-D033K	2.5A	+3.3V	3.0A	0.2A	15.0V	1.0A/2.0A
HVI10.5-D050I	1.8A	+5.0V	2.5A	0.2A	12.0V	1.0A/2.0A
HVI10.5-D050K	1.8A	+5.0V	2.5A	0.2A	15.0V	1.0A/2.0A

Symbol: "★" OVP built-in. "@@ Adjustable. "●" Installed with Post Regulator. "±" Factory set.

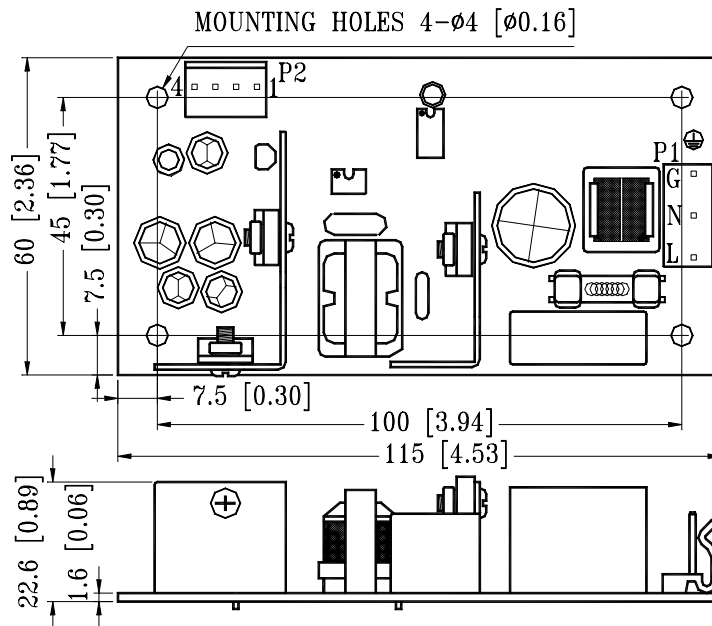
Remark: (1) At least 20% of typical main output current is required to maintain stated regulation.

(2) Peak output, less than 60 sec. with 10% duty cycle.

(3) Max. current can't be drawn from all output at the same time.

MECHANICAL DIMENSIONS: MM [INCHES]

WEIGHT: 100.0 g (3.50 Oz.)



INPUT & OUTPUT CONNECTORS PIN ASSIGNMENT

ASSIGNMENT CONNECTOR & PIN #	AC INPUT			DUAL OUTPUT		
	AC-LINE	AC-NEUTRAL	AC-GROUND	VO1	VO2	DC COM
	P1-L	P1-N	P1-G	P2-2,3	P2-4	P2-1

Mating connector: P1,2 Molex # 5195 or 5239 series.