

# LOW FREQUENCY CYLINDRICAL TYPE MICROPROCESSOR CRYSTAL

AB310



RoHS  
Compliant



9.8 x 3.2 x 0.8 mm

## FEATURES:

- High stability by tight vacuum sealing
- Excellent resistant to vibration and shock
- Miniature high frequency cylinder type crystal

## APPLICATIONS:

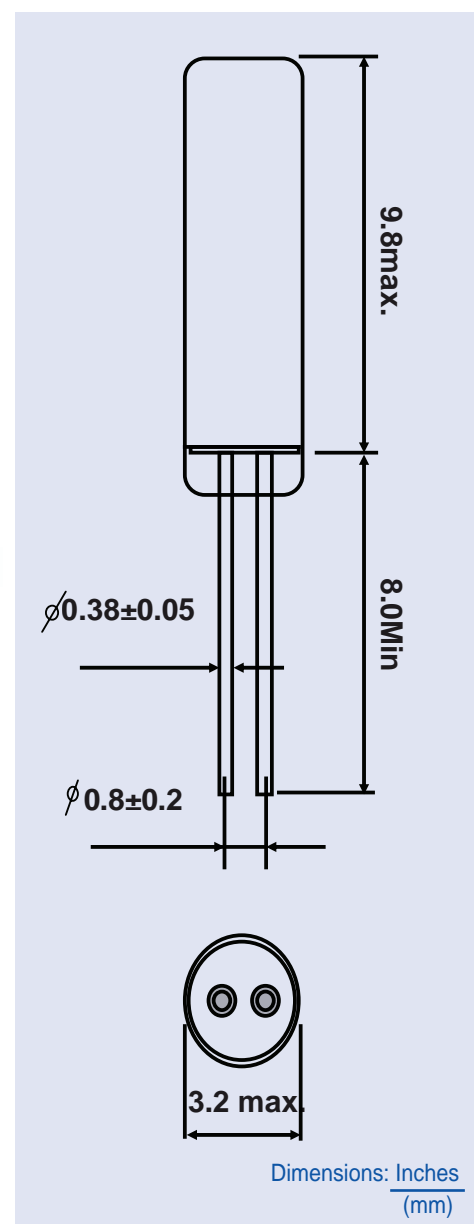
- Suitable for wide range of application
- Clocks for microprocessor
- Consumer electronics
- Test equipment
- Computer peripherals

## STANDARD SPECIFICATIONS:

### PARAMETERS

ABRACON P/N	AB310 Series
Frequency	3.50 MHz to 3.99 MHz
Operation Mode	Fundamental
Operating Temperature	-10°C to + 60°C (see options)
Storage Temperature	- 40°C to + 85°C
Frequency Tolerance	± 30 ppm max. (see options)
Frequency Stability over the Operating Temp. (Ref to +25°C)	± 50 ppm max. (see options)
Equivalent Series Resistance (R1)	200Ω max.
Shunt Capacitance C <sub>0</sub>	5pF max.
Load Capacitance C <sub>L</sub>	16pF (see options)
Drive Level	100μW max.
Aging at 25°C Per Year	± 5ppm max.
Insulation Resistance	500 MΩ min at 100Vdc ± 15V

## OUTLINE DRAWING:



## OPTIONS AND PART IDENTIFICATION:

(Left blank if standard)

