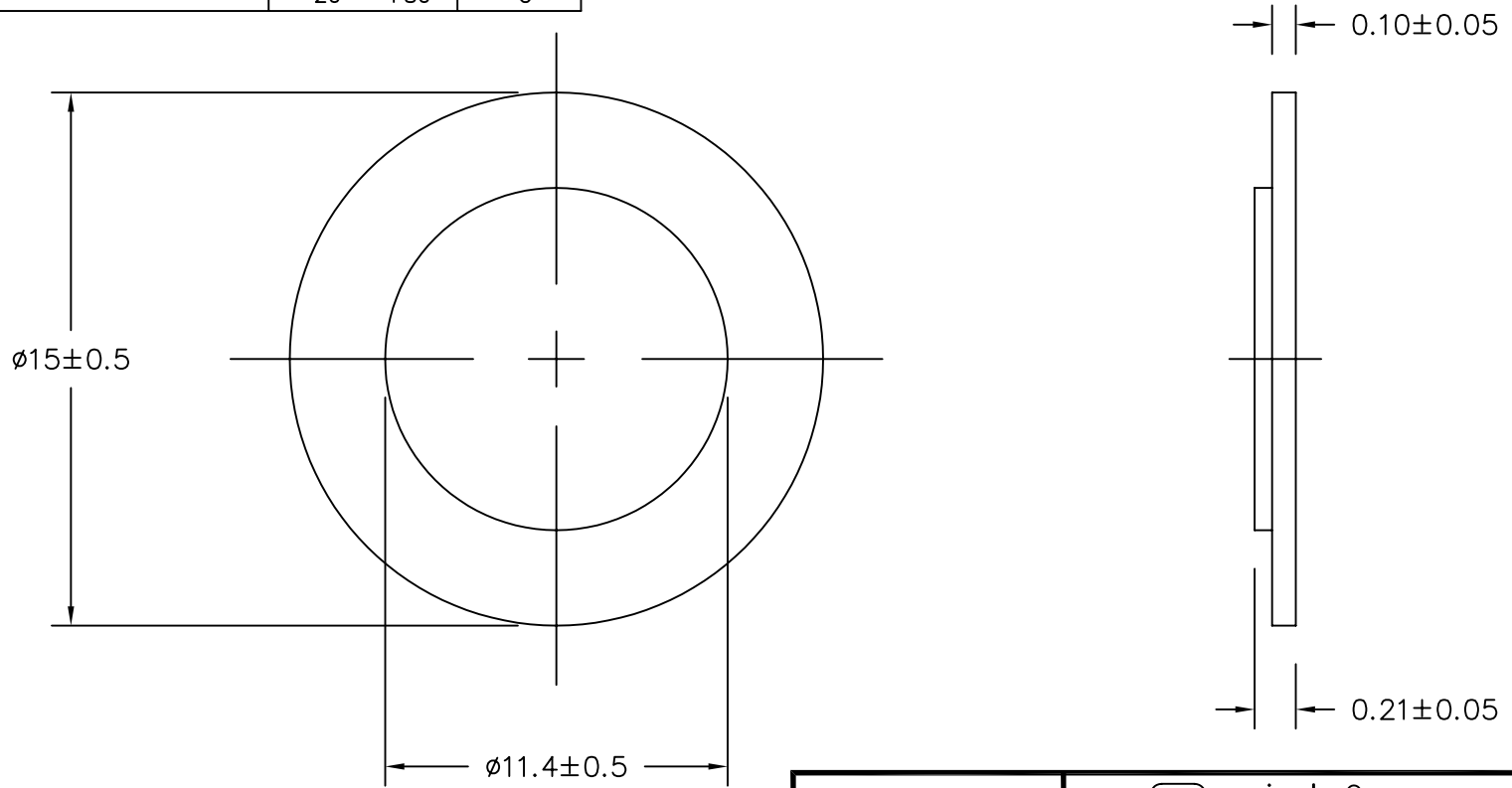


THIS DOCUMENT CONTAINS DATA PROPRIETARY TO PROJECTS UNLIMITED, INC. ANY USE OR REPRODUCTION, IN ANY FORM, WITHOUT PRIOR WRITTEN PERMISSION OF PROJECTS UNLIMITED, INC. IS PROHIBITED.
 © 2003, Projects Unlimited Inc.

SPECIFICATIONS

PARAMETERS	VALUES	UNITS
RESONANT FREQUENCY	6,000±500	Hz
RESONANT IMPEDANCE (MAX)	300	Ohm
MAX INPUT VOLTAGE	15	Vp-p
CAPACITANCE @ 1KHz	12,000±30%	pF
PLATE MATERIAL	BRASS	-
OPERATING TEMPERATURE	-20 ~ +80	°C
STORAGE TEMPERATURE	-20 ~ +80	°C


REVISIONS			
LTR	DESCRIPTION	DATE	APPROVED
-	RELEASED FROM ENGINEERING	10/20/05	



NOTES:

1. ALL DIMENSIONS ARE IN MILLIMETERS.
2. SPECIFICATION SUBJECT TO CHANGE OR WITHDRAWAL WITHOUT NOTICE.

FILE NAME
AB1560B.DWG

UNLESS OTHERWISE SPECIFIED: DIMENSIONS ARE IN MILLIMETERS; TOLERANCES ARE ± 0.5 AND ANGLES ARE $\pm 3^\circ$.		 projects [®] unlimited Dayton, Ohio	
APPROVALS	DATE	PIEZO CERAMIC BENDER DRAWING NO. AB1560B	
DRAWN <i>J.A.F.</i>	10/05		
APPROVED <i>B.R.</i>	10/05		
<i>E.P.</i>	10/05		
DO NOT SCALE DRAWING		SIZE A	SHEET 1 OF 1
		SCALE: N.T.S.	