

# SD103A~SD103C

## SMALL SIGNAL SCHOTTKY BARRIES SWITCHING DIODES

**VOLTAGE** 20 to 40 Volts **CURRENT** 0.35 Amperes

**DO-35**

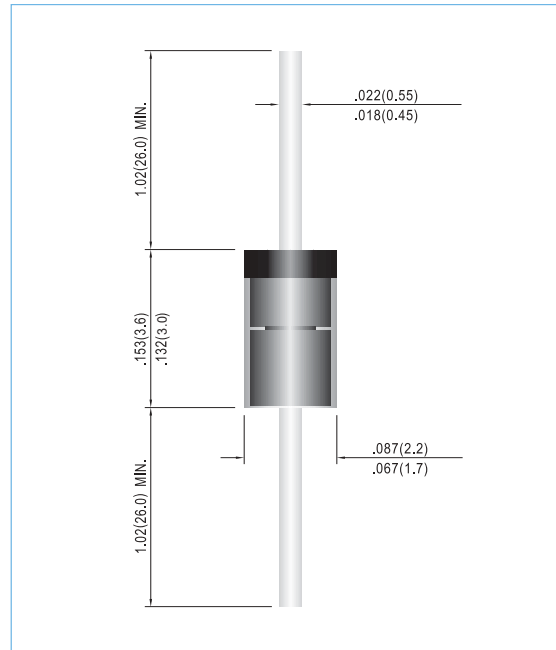
Unit: inch ( mm )

### FEATURES

- Low Forward Voltage Drop
- Guard Ring Construction for Transient Protection
- Low Reverse Recovery Time
- Low Reverse Capacitance
- In compliance with EU RoHS 2002/95/EC directives

### MECHANICAL DATA

- Case: Molded Glass DO-35
- Terminals: Solderable per MIL-STD-750, Method 2026
- Polarity: See Diagram Below
- Approx. Weight: 0.13 grams
- Mounting Position: Any
- Ordering information
  - Suffix : " -35 " to order DO-35 Package
- Packing information
  - B - 2K per Bulk box
  - T/R - 10K per 13" plastic Reel
  - T/B - 5K per horiz. tape & Ammo box



## MAXIMUM RATINGS AND ELECTRICAL CHARACTERISTICS (T<sub>J</sub>=25°C unless otherwise noted)

PARAMETER	SYMBOL	SD103A	SD103B	SD103C	UNITS
Marking Code	-	103A	103B	103C	-
Peak Repetitive Reverse Voltage	V <sub>RRM</sub>	40	30	20	V
RMS Reverse Voltage	V <sub>RMS</sub>	28	21	14	V
Max. Average Rectified Current	I <sub>F(AV)</sub>	350			mA
Peak Forward Surge Current, t ≤0.3ms	I <sub>FSM</sub>	15			A
Power Dissipation Derate Above 25°C	P <sub>D</sub>	400			mW
Maximum Forward Voltage, I <sub>F</sub> = 20mA I <sub>F</sub> = 200mA	V <sub>F</sub>	0.37 0.70			V
Maximum Reverse Current	I <sub>R</sub>	5 @ 30V	5 @ 20V	5 @ 10V	μA
Typical Junction Capacitance( Note 1)	C <sub>J</sub>	50			pF
Typical Reverse Recovery (Note 2)	t <sub>rr</sub>	10			ns
Typical Thermal Resistance	R <sub>θJA</sub>	250			°C / W
Storage Temperature Range	T <sub>STG</sub>	-65 to +175			°C

**NOTE:**

1. C<sub>J</sub> at V<sub>R</sub>=0, f=1MHZ
2. From I<sub>F</sub>=50mA to I<sub>R</sub>=200mA, R<sub>L</sub>=100Ω

# SD103A~SD103C

## RATING AND CHARACTERISTIC CURVES

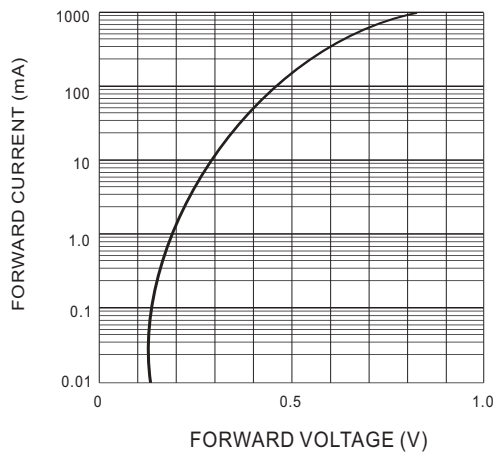


Fig. 1 FORWARD CHARACTERISTICS

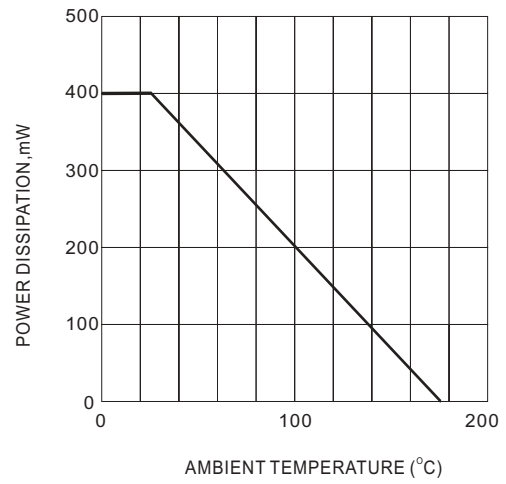


Fig. 2 POWER DISSIPATION DERATING CURVE

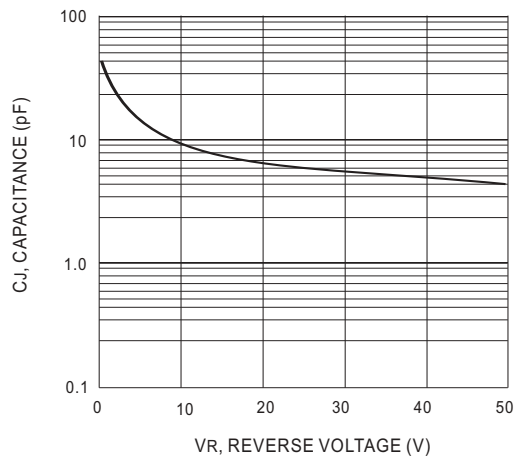


Fig. 3 TYPICAL CAPACITANCE vs REVERSE VOLTAGE