

**PLEASE CHECK WWW.MOLEX.COM FOR LATEST PART INFORMATION**

**Part Number:** [0457190009](#)  
**Status:** **Active**  
**Overview:** edge card connectors  
**Description:** 12.90mm (.508") Pitch EXTreme PowerEdge™, Connector, 4 Segments (8 Total Contacts), Through Hole Solder for 1.57mm (.062") Thick PC Board, Mates to a 1.57mm (.062") Thick Card Edge or Bus Bar Tab

**Documents:**

[3D Model](#) [Product Specification PS-45719-001 \(PDF\)](#)  
[Drawing \(PDF\)](#) [RoHS Certificate of Compliance \(PDF\)](#)

**Agency Certification**

CSA LR19980  
TUV R72090228

**General**

Product Family Edge Card Connectors  
Series [45719](#)  
Component Type Edgecard to PCB  
Overview [edge\\_card\\_connectors](#)  
Product Name Bus Bar Socket, EXTreme PowerEdge™

**Physical**

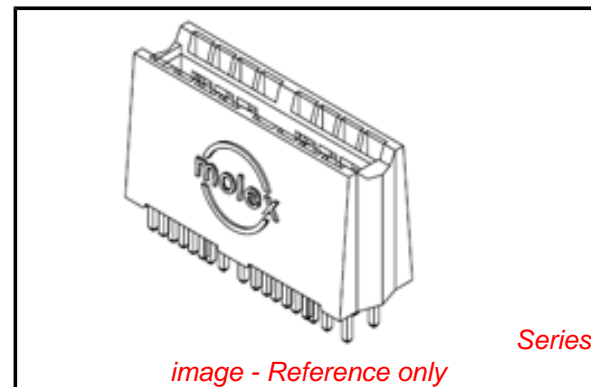
Circuits (Loaded) 8  
Circuits (maximum) 8  
Circuits Detail All Power  
Color - Resin Black  
Durability (mating cycles max) 200  
Entry Angle Vertical (Top Entry)  
Flammability 94V-0  
Keying to Mating Part N/A  
Material - Metal High Performance Alloy (HPA)  
Material - Plating Mating Gold  
Material - Plating Termination Tin  
Material - Resin High Temperature Thermoplastic  
PC Tail Length (in) 0.115 In  
PC Tail Length (mm) 2.92 mm  
PCB Thickness Recommended (in) 0.062 In  
PCB Thickness Recommended (mm) 1.60 mm  
Packaging Type Tray  
Pitch - Mating Interface (in) 0.508 In  
Pitch - Mating Interface (mm) 12.90 mm  
Plating min: Mating (µin) 30  
Plating min: Mating (µm) 0.75  
Plating min: Termination (µin) 150  
Plating min: Termination (µm) 3.75  
Temperature Range - Operating -40°C to +105°C  
Termination Interface: Style Through Hole

**Electrical**

Current - Maximum per Contact 40A  
Voltage - Maximum 250V

**Solder Process Data**

Duration at Max. Process Temperature (seconds) 5  
Lead-free Process Capability Wave Capable (TH only)  
Max. Cycles at Max. Process Temperature 1



**EU RoHS**

**ELV and RoHS  
Compliant**  
**REACH SVHC**  
Not Reviewed  
**Halogen-Free  
Status**  
**Not Reviewed**

**China RoHS**



**Need more information on product  
environmental compliance?**

Email [productcompliance@molex.com](mailto:productcompliance@molex.com)  
For a multiple part number RoHS Certificate of Compliance, [click here](#)

Please visit the [Contact Us](#) section for any non-product compliance questions.

**Search Parts in this Series**

[45719Series](#)

**Mates With**

1.58mm (.062") double sided card edge or bus bar tab

Process Temperature max. C 250

**Material Info**

**Reference - Drawing Numbers**

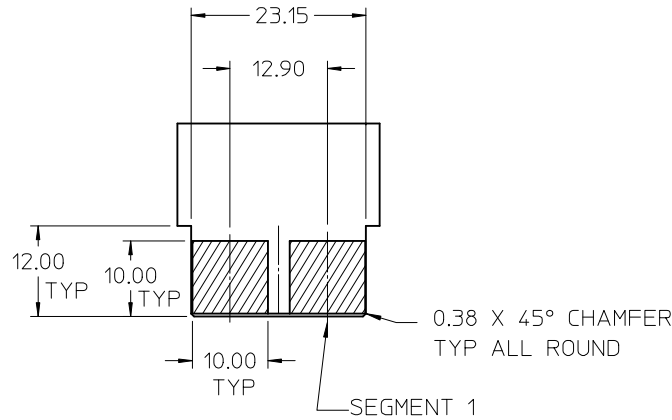
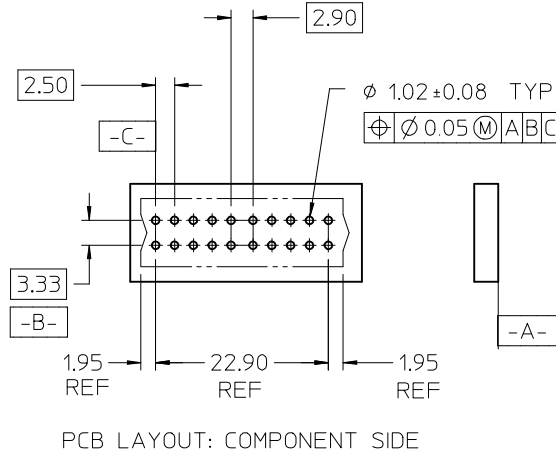
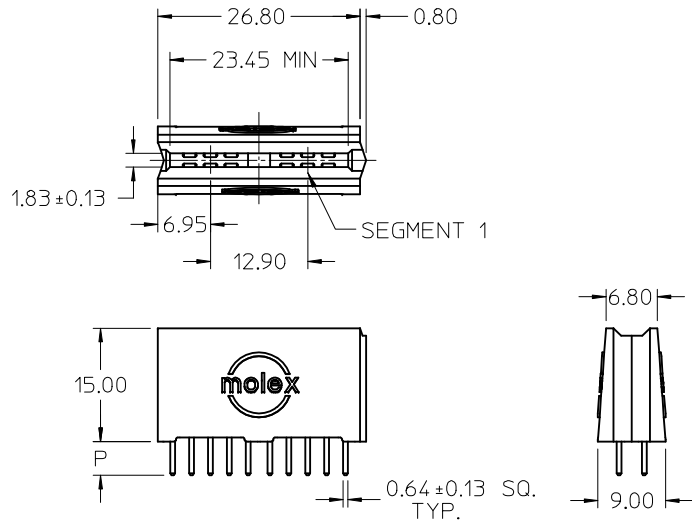
Packaging Specification	PK-45714-001
Product Specification	PS-45719-001
Sales Drawing	SD-45719-001

This document was generated on 06/04/2010

**PLEASE CHECK [WWW.MOLEX.COM](http://WWW.MOLEX.COM) FOR LATEST PART INFORMATION**

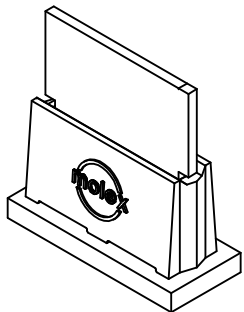
NOTES:

- HOUSING MATL: LCP, UL94V-0, COLOR BLACK  
TERMINAL MATL: COPPER ALLOY
- FINISH: SELECT GOLD: 30 M.I. MIN IN CONTACT AREA  
SELECT TIN: 150 M.I. MIN IN SOLDER AREA  
OVERALL NICKEL UNDERPLATE.
- PRODUCT SPECIFICATION: PS-45719-001.
- PACKAGING SPECIFICATION: PK-45714-001.
- PCB THICKNESS: SEE CHART
- EDGE CARD THICKNESS: 1.57±0.15
- DIMENSIONS GIVEN ACROSS CENTERLINES ARE SYMMETRICAL ABOUT THOSE CENTERLINES WITHIN HALF TOTAL TOLERANCE.
- VOIDED SEGMENTS DO NOT HAVE TERMINALS IN THE TOP OR BOTTOM ROW



RECOMMENDED EDGE CARD LAYOUT  
TOLERANCE: ±0.05

MATERIAL NUMBER	VOIDED SEGMENT	P	PCB THK
45719-0001	NONE	4.50	3.18
45719-2001	1		
45719-2002	2	3.63	2.36
45719-0004	NONE		
45719-2003	1	2.92	1.57
45719-2004	2		
45719-0007	NONE	2.92	1.57
45719-2005	1		
45719-2006	2		

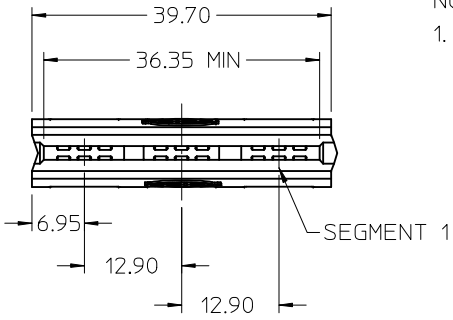


ADD PIN DIM & TOL EC NO: UCP2009-2476 DRWN: JSCHAFFER 2009/04/07 CHKD: 2009/04/07 APPR: APATEL 2009/04/20	DESCRIPTION
	REV
	E1

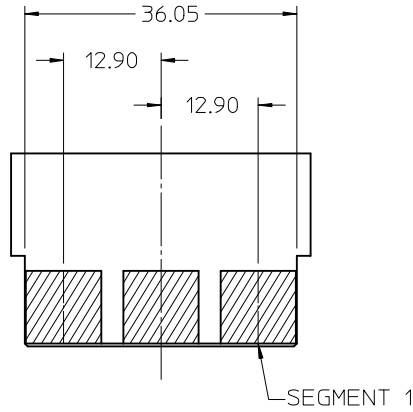
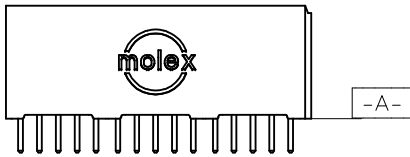
GENERAL TOLERANCES (UNLESS SPECIFIED)	mm	INCH
	4 PLACES ± ---	± ---
	3 PLACES ± ---	± ---
	2 PLACES ± 0.25	± ---
	1 PLACE ± 0.25	± ---
ANGULAR ± 1/2°		
DRAFT WHERE APPLICABLE MUST REMAIN WITHIN DIMENSIONS		

DIMENSION STYLE MM ONLY	
DRAWN BY MARGULIS	DATE 2003/11/11
CHECKED BY MARGULIS	DATE 2003/11/11
APPROVED BY MARGULIS	DATE 2003/11/11
SIZE A	THIS DRAWING CONTAINS INFORMATION THAT IS PROPRIETARY TO MOLEX INCORPORATED AND SHOULD NOT BE USED WITHOUT WRITTEN PERMISSION

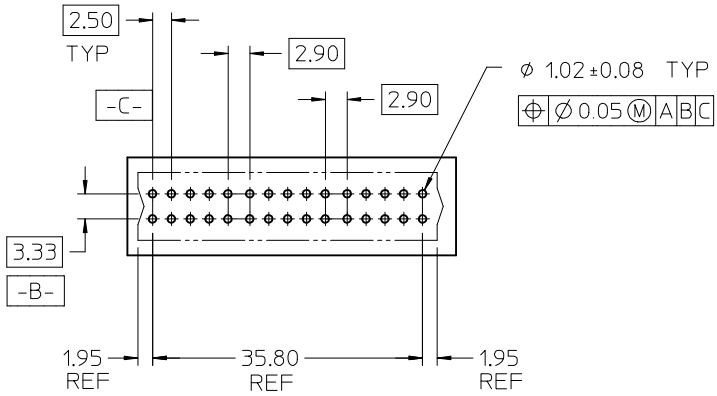
SCALE 1:1	DESIGN UNITS METRIC	THIRD ANGLE PROJECTION
TITLE POWER EDGE ASSEMBLY POWER VERTICAL SOLDER TAIL		
MOLEX INCORPORATED		
DOCUMENT NO. SD-45719-001	SHEET NO. 1 OF 3	



NOTES:  
1. FOR ALL OTHER DIMENSIONS AND NOTES SEE SHEET 1.

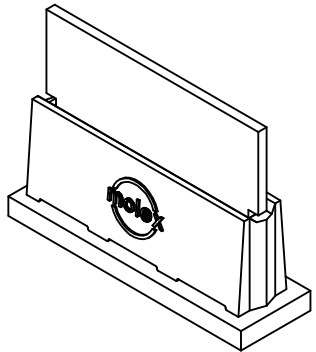


RECOMMENDED EDGE CARD LAYOUT  
EDGE CARD TOLERANCE: ±0.05



PCB LAYOUT: COMPONENT SIDE

MATERIAL NUMBER	VOIDED SEGMENT	P	PCB THK
45719-0002	NONE	4.50	3.18
45719-3001	1		
45719-3002	2		
45719-3003	3		
45719-3004	1,2		
45719-3005	1,3		
45719-3006	2,3	3.63	2.36
45719-0005	NONE		
45719-3007	1		
45719-3008	2		
45719-3009	3		
45719-3010	1,2		
45719-3011	1,3	2.92	1.57
45719-3012	2,3		
45719-0008	NONE		
45719-3013	1		
45719-3014	2		
45719-3015	3		
45719-3016	1,2		
45719-3017	1,3		
45719-3018	2,3		



EC NO: UCP2009-2476 DRWN: JSCHAFFER 2009/04/07 CHKD: 2009/04/07 APPR: APATEL 2009/04/20	DESCRIPTION	GENERAL TOLERANCES (UNLESS SPECIFIED)	DIMENSION STYLE	SCALE	DESIGN UNITS	THIRD ANGLE PROJECTION
			MM ONLY	1:1	METRIC	
E1	REV		DRAWN BY	DATE	POWER EDGE ASSEMBLY POWER VERTICAL SOLDER TAIL	
			MARGUL IS	2003/11/11		
			CHECKED BY	DATE	MOLEX INCORPORATED	
			MARGUL IS	2003/11/11		
			APPROVED BY	DATE	DOCUMENT NO.	SHEET NO.
			MARGUL IS	2003/11/11	SD-45719-001	2
			ANGULAR ±1/2°		THIS DRAWING CONTAINS INFORMATION THAT IS PROPRIETARY TO MOLEX INCORPORATED AND SHOULD NOT BE USED WITHOUT WRITTEN PERMISSION	
		DRAFT WHERE APPLICABLE MUST REMAIN WITHIN DIMENSIONS		SIZE		
				A		

6

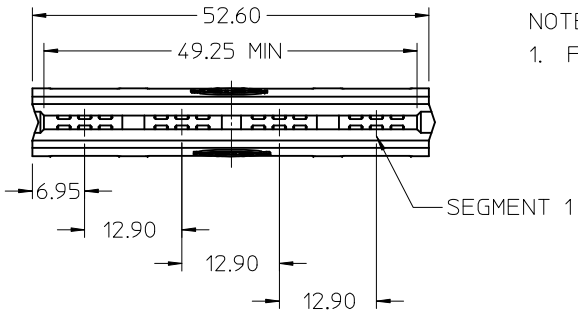
5

4

3

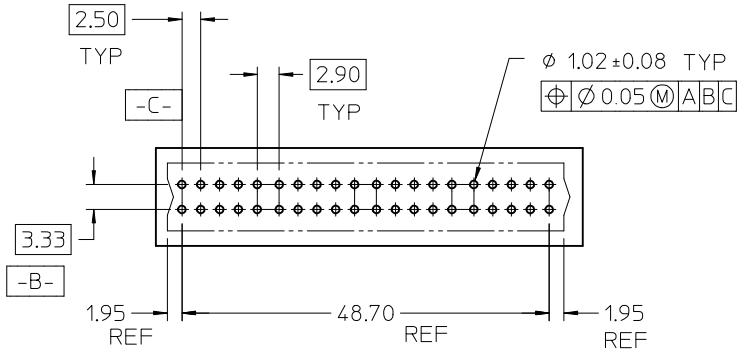
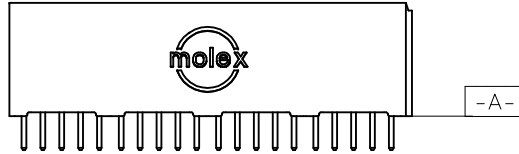
2

1

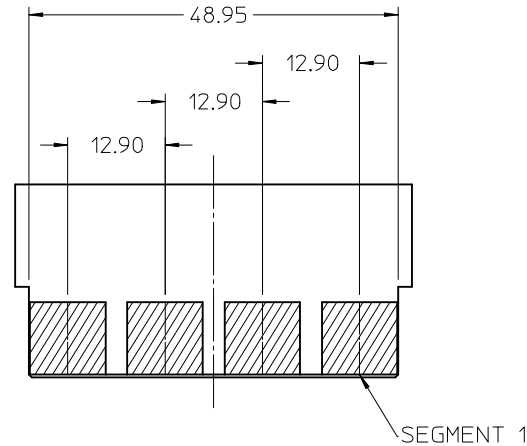


## NOTES:

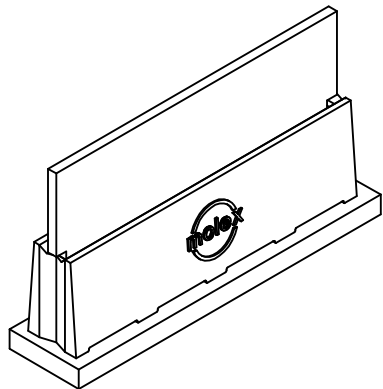
1. FOR ALL OTHER DIMENSIONS AND NOTES SEE SHEET 1.



PCB LAYOUT: COMPONENT SIDE

RECOMMENDED EDGE CARD LAYOUT  
EDGE CARD TOLERANCE:  $\pm 0.05$ 

MATERIAL NUMBER	VOIDED SEGMENT	P	PCB THK
45719-0003	NONE		
45719-4001	1		
45719-4002	2		
45719-4003	3		
45719-4004	4	4.50	3.18
45719-4005	1,2		
45719-4006	1,3		
45719-4007	1,4		
45719-4008	2,3		
45719-4009	2,4		
45719-4010	3,4		
45719-0006	NONE		
45719-4011	1		
45719-4012	2		
45719-4013	3		
45719-4014	4	3.63	2.36
45719-4015	1,2		
45719-4016	1,3		
45719-4017	1,4		
45719-4018	2,3		
45719-4019	2,4		
45719-4020	3,4		
45719-0009	NONE		
45719-4021	1		
45719-4022	2		
45719-4023	3		
45719-4024	4	2.92	1.57
45719-4025	1,2		
45719-4026	1,3		
45719-4027	1,4		
45719-4028	2,3		
45719-4029	2,4		
45719-4030	3,4		



EC NO: UCP2009-2476	2009/04/07	DESCRIPTION
DRWN: JSCHAFFER	2009/04/07	
CHKD: APATEL	2009/04/20	
APPR: APATEL	2009/04/20	
E1	REV	

GENERAL TOLERANCES  
(UNLESS SPECIFIED)

	mm	INCH
4 PLACES	$\pm$ ---	$\pm$ ---
3 PLACES	$\pm$ ---	$\pm$ ---
2 PLACES	$\pm 0.25$	$\pm$ ---
1 PLACE	$\pm 0.25$	$\pm$ ---

ANGULAR  $\pm 1/2^\circ$ DRAFT WHERE APPLICABLE  
MUST REMAIN  
WITHIN DIMENSIONSDIMENSION STYLE  
MM ONLY

DRAWN BY	DATE
MARGUL IS	2003/11/11
CHECKED BY	DATE
MARGUL IS	2003/11/11
APPROVED BY	DATE
MARGUL IS	2003/11/11

SCALE  
1:1DESIGN UNITS  
METRICTHIRD ANGLE  
PROJECTION

TITLE  
POWER EDGE ASSEMBLY  
POWER VERTICAL  
SOLDER TAIL

moLEX MOLEX INCORPORATED

DOCUMENT NO.

SD-45719-001

SHEET NO.

3

SIZE  
ATHIS DRAWING CONTAINS INFORMATION THAT IS PROPRIETARY TO MOLEX  
INCORPORATED AND SHOULD NOT BE USED WITHOUT WRITTEN PERMISSION

5

4

3

2

1