

**PLEASE CHECK WWW.MOLEX.COM FOR LATEST PART INFORMATION**

**Part Number:** [0857290101](#)  
**Status:** **Active**  
**Overview:** [magnetic modular jacks](#)  
**Description:** HyperJack™ 1000 PoE+ PSE Integrated Connector Module, 2x4, With LEDs

**Documents:**

[3D Model](#) [RoHS Certificate of Compliance \(PDF\)](#)  
[Drawing \(PDF\)](#)

**General**

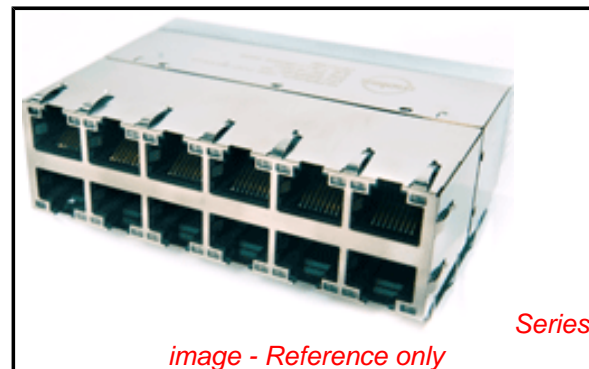
Product Family	Modular Jacks/Plugs
Series	<a href="#">85729</a>
Component Type	PCB Jack
Magnetic	Yes
More Detailed Tech Information	*For product specifications please contact your Molex sales representative
Overview	<a href="#">magnetic modular jacks</a>
Performance Category	5e
Power over Ethernet (PoE)	PoE+
Product Name	HyperJack™PoE

**Physical**

Boot Color	N/A
Color - Resin	Black
Durability (mating cycles max)	750
Inverted / Top Latch	Yes
Lightpipes/LEDs	LEDs
Material - Metal	Brass, Copper Alloy
Material - Plating Mating	Gold
Material - Plating Termination	Tin
Material - Resin	Thermoplastic Polyurethane
Orientation	Right Angle (Side Entry)
PCB Locator	Yes
PCB Retention	Yes
Packaging Type	Tray
Pitch - Mating Interface (in)	0.040 In
Pitch - Mating Interface (mm)	1.02 mm
Pitch - Term. Interface (in)	0.040 In
Pitch - Term. Interface (mm)	1.02 mm
Plating min: Mating (µin)	30
Plating min: Mating (µm)	0.76
Plating min: Termination (µin)	50.8
Plating min: Termination (µm)	1.27
Ports	8
Positions / Loaded Contacts	8/8
Surface Mount Compatible (SMC)	No
Temperature Range - Operating	0°C to +70°C
Termination Interface: Style	Through Hole
Waterproof / Dustproof	No
Wire/Cable Type	N/A

**Electrical**

Current - Maximum per Contact	1.5A
Grounding to PCB	Yes
Grounding to Panel	Yes
Shielded	Yes



*image - Reference only*

**EU RoHS**

**ELV and RoHS Compliant**

**REACH SVHC**

Not Reviewed

**Halogen-Free**

**Status**

**Not Reviewed**

**Need more information on product environmental compliance?**

Email [productcompliance@molex.com](mailto:productcompliance@molex.com)  
 For a multiple part number RoHS Certificate of Compliance, [click here](#)

Please visit the [Contact Us](#) section for any non-product compliance questions.

**China RoHS**



**Search Parts in this Series**

[85729Series](#)

**Mates With**

Plugs according to IEC 60603-7

Voltage - Maximum

48V

**Material Info**

**Reference - Drawing Numbers**

Packaging Specification

PK-85729-135

Product Specification

RPS-85719-001

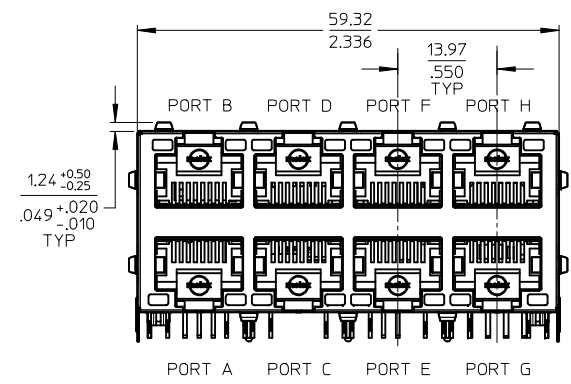
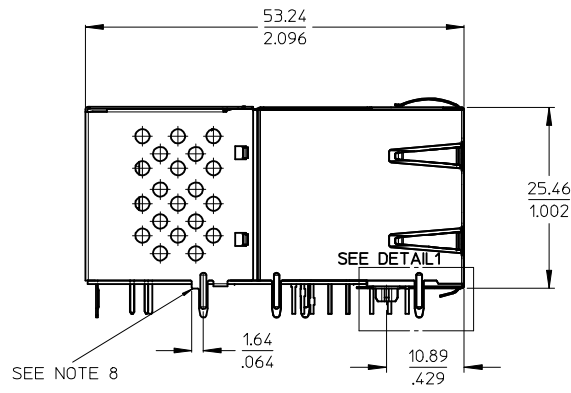
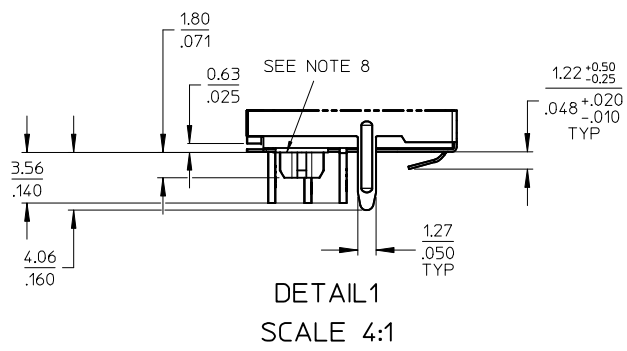
Sales Drawing

SD-85729-101

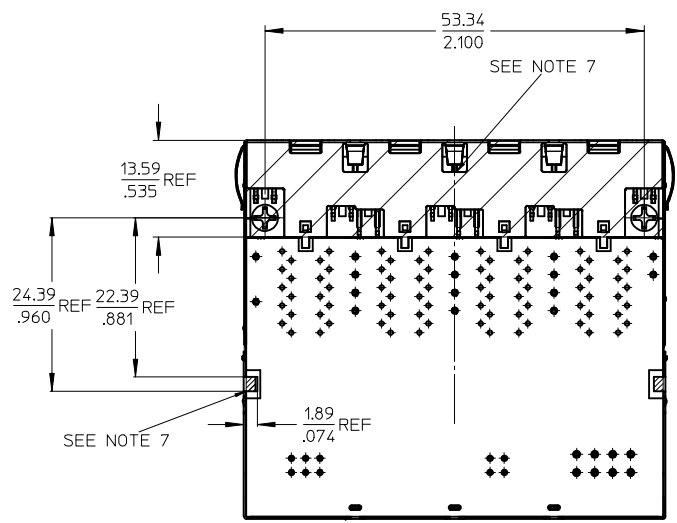
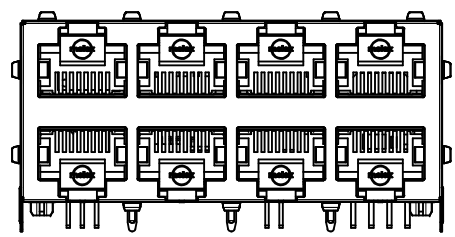
This document was generated on 06/08/2010

**PLEASE CHECK [WWW.MOLEX.COM](http://WWW.MOLEX.COM) FOR LATEST PART INFORMATION**

FRONT VIEW HYPER JACK 1000 POE+ ICM LED VERSION P/N 85729-0101



FRONT VIEW HYPERJACK 1000POE+ ICM NON LED VERSION P/N 85729-0102



P / N	VERSION
85729-0101	LED VERSION
85729-0102	NON LED VERSION

- NOTES:
- 1 - SHIELD MATERIAL: BRASS; PLATING: Ni PRE-PLATING
  - 2 - PLASTIC MATERIAL: NAGASE-D-VALOX 420 SED BLACK, 30%GR, UL 94V-0\5V (PBT)
  - 3 - TERMINALS MATERIAL: COPPER ALLOY  
RJ45 CONTACT PLATING: 0.764µm GOLD OVER 1.94µm Ni  
SOLDER TERMINALS: 34µm Sn
  - 4 - JACK TO BE MATED WITH FCC 68.5 PLUGS
  - 5 - PRODUCT SPECIFICATION: PS-85719-001
  - 6 - PACKAGING SPECIFICATION: PK-85729-101
  - 7 - TRACES WITHOUT INSULATION NOT ALLOWED IN THE DASHED AREAS.  
(TO AVOID SHORTS TO SHIELD)
  - 8 - STAND OFF TO SYSTEM BOARD

ENTER DESCRIPTION	QUALITY SYMBOLS	GENERAL TOLERANCES (UNLESS SPECIFIED)		DIMENSION STYLE		SCALE	DESIGN UNITS	THIRD ANGLE PROJECTION	
		mm	INCH	MM ONLY	2:1	METRIC	PROJECTION		
EC NO: MG2009-0072 DRWN: JBADER 2009/08/06 CHKD: MMANGARUDOV 2009/08/06 APPR: SSTE INKE 2009/08/07	▽=0 ▽=0	4 PLACES ± --- ± ---		DRAWN BY	DATE	TITLE	HYPERJACK 1000 POE+ INTEGRATED CONNECTOR MODULE	MOLEX INCORPORATED	SHEET NO. 1 OF 3
		3 PLACES ± --- ± ---		JBADER	2009/03/12				
		2 PLACES ± 0.25 ± ---		CHECKED BY	DATE				
		1 PLACE ± 0.5 ± ---		MMANGARUDOV	2009/03/12				
		ANGULAR ± .5 °		APPROVED BY	DATE				
DRAFT WHERE APPLICABLE MUST REMAIN WITHIN DIMENSIONS		± 0.5	± ---	SSTE INKE	2009/03/12	MATERIAL NO.	DOCUMENT NO.	SD-85729-101	
1	REV	SIZE		THIS DRAWING CONTAINS INFORMATION THAT IS PROPRIETARY TO MOLEX INCORPORATED AND SHOULD NOT BE USED WITHOUT WRITTEN PERMISSION					



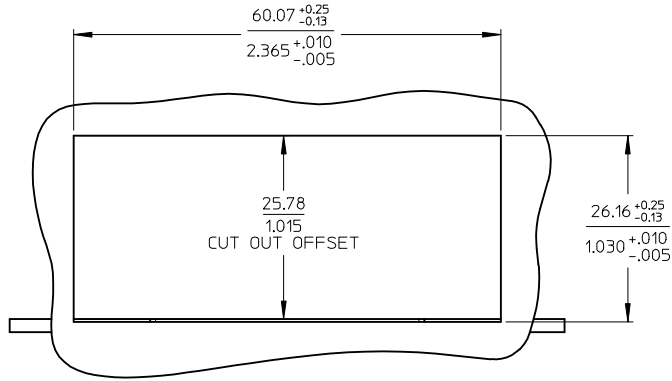
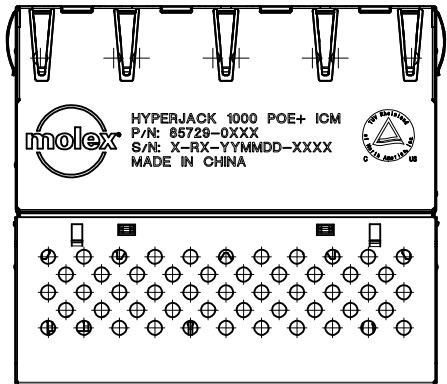
PRINTING  
LED VERSION

HYPERJACK 1000 POE+ ICM  
P/N: 85729-0101  
S/N: X-RX-YYMMDD-XXXX  
MADE IN CHINA

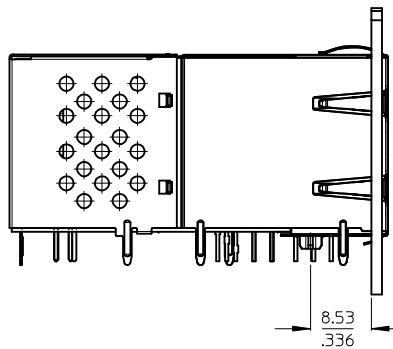
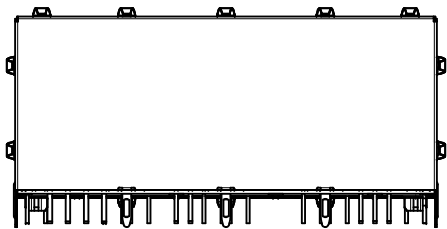
PRINTING  
NON LED VERSION

HYPERJACK 1000 POE+ ICM  
P/N: 85729-0102  
S/N: X-RX-YYMMDD-XXXX  
MADE IN CHINA

PRINTING



SUGGESTED PANEL CUT OUT



NOTES:

- 1 - PRINTING MARKED BY LASER
- 2 - INSCRIPTION:  
1st LINE: PART NAME  
2nd LINE: PART NUMBER  
3rd LINE: SERIES NUMBER -> MANUFACTURER ID - CONNECTOR REVISION -  
DATE CODE (YEAR, MONTH, DAY) - CONSECUTIVE NUMBER  
4th LINE: COUNTRY OF ORIGIN
- 3 - TUV LOGO

ENTER DESCRIPTION EC NO: MG2009-0072 DRWN: JBADER 2009/08/06 CHKD: MMANGARUDOV 2009/08/06 APPR: SSTE INKE 2009/08/07	QUALITY SYMBOLS ▽=0 ▽=0	GENERAL TOLERANCES (UNLESS SPECIFIED)		DIMENSION STYLE MM ONLY		SCALE 2:1	DESIGN UNITS METRIC	THIRD ANGLE PROJECTION
		4 PLACES ± --- ± ---	3 PLACES ± --- ± ---	2 PLACES ± 0.25 ± ---	1 PLACE ± 0.5 ± ---	ANGULAR ± .5 °	DRAWN BY JBADER	DATE 2009/03/12
1	DESCRIPTION	DRAFT WHERE APPLICABLE MUST REMAIN WITHIN DIMENSIONS		SEE SHEET 1		MATERIAL NO. SD-85729-101		SHEET NO. 3 OF 3
		THIS DRAWING CONTAINS INFORMATION THAT IS PROPRIETARY TO MOLEX INCORPORATED AND SHOULD NOT BE USED WITHOUT WRITTEN PERMISSION						