

PLEASE CHECK WWW.MOLEX.COM FOR LATEST PART INFORMATION

Part Number: [0673517000](#)
Status: **Active**
Description: MicroCross™ DVI-D Digital Visual Interface for Adapter, Panel Mount, Through Hole, Vertical, Gold (Au) Flash, Polyester (PBT), 2.79mm (.110")PC Tail Length, 24 Circuits, Lead Free

Documents:

[3D Model](#) [RoHS Certificate of Compliance \(PDF\)](#)
[Drawing \(PDF\)](#)

General

Product Family	I/O Connectors
Series	67351
Application	Wire-to-Board
Comments	DDWG (Digital Display Working Group) Standard
Component Type	Receptacle
Product Name	MicroCross™DVI
Type	N/A

Physical

Boot Color	N/A
Circuits (Loaded)	24
Circuits (maximum)	24
Color - Resin	Ivory, Natural
Durability (mating cycles max)	100
Gender	Receptacle
Keying to Mating Part	Yes
Lock to Mating Part	Yes
Material - Metal	Copper Alloy
Material - Plating Mating	Gold
Material - Plating Termination	Tin
Material - Resin	Polyester
Number of Rows	3
Orientation	Vertical
PC Tail Length (in)	0.110 In
PC Tail Length (mm)	2.79 mm
PCB Locator	Yes
PCB Retention	Yes
Packaging Type	Tray
Panel Mount	Yes
Pitch - Mating Interface (in)	0.075 In
Pitch - Mating Interface (mm)	1.91 mm
Pitch - Term. Interface (in)	0.075 In
Pitch - Term. Interface (mm)	1.91 mm
Plating min: Mating (µin)	2
Plating min: Mating (µm)	0.05
Plating min: Termination (µin)	100
Plating min: Termination (µm)	2.50
Polarized to Mating Part	Yes
Polarized to PCB	Yes
Ports	1
Surface Mount Compatible (SMC)	No
Temperature Range - Operating	-20°C to +85°C
Termination Interface: Style	Through Hole
Waterproof / Dustproof	No
Wire Size AWG	N/A

EU RoHS
ELV and RoHS
Compliant
REACH SVHC
Not Reviewed
Halogen-Free
Status
Not Reviewed

China RoHS



Need more information on product environmental compliance?

Email productcompliance@molex.com
 For a multiple part number RoHS Certificate of Compliance, [click here](#)

Please visit the [Contact Us](#) section for any non-product compliance questions.

Search Parts in this Series

[67351Series](#)

Mates With

[74323](#) MicroCross™ DVI Plug Components.
[88741](#) MicroCross™ DVI Cable Assemblies

Electrical

Current - Maximum per Contact	3A
Grounding to Panel	Yes
Shield Type	Full Shield
Shielded	Yes
Voltage - Maximum	40V AC (RMS)

Material Info**Reference - Drawing Numbers**

Packaging Specification	PK-74320-010
Sales Drawing	SD-67351-011

This document was generated on 06/07/2010

PLEASE CHECK WWW.MOLEX.COM FOR LATEST PART INFORMATION

ENG. NO SEE CHART

EDP NO.

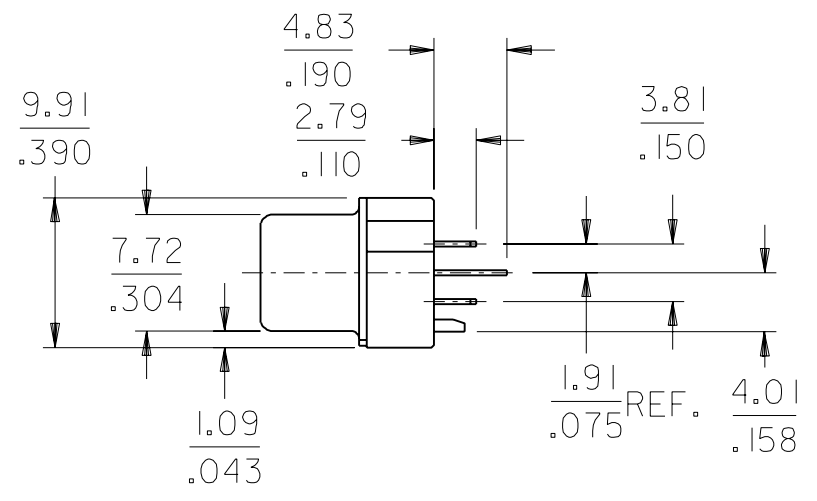
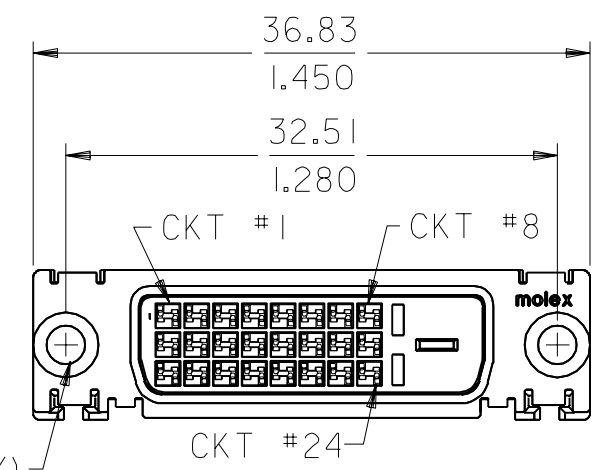
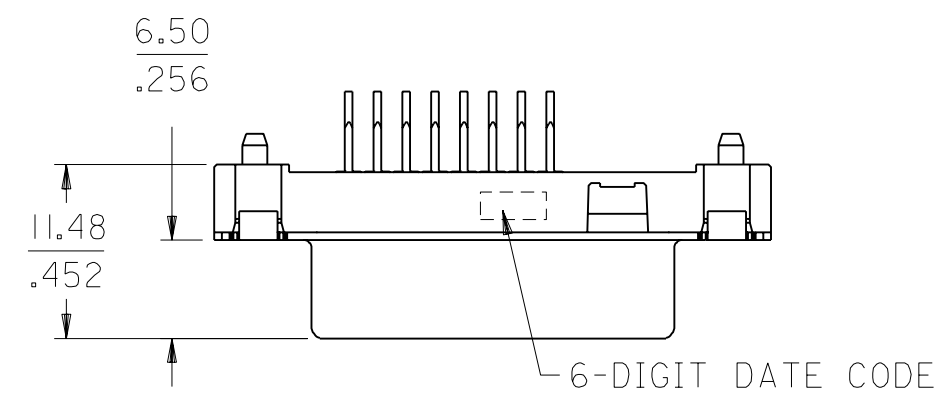
SIMILAR ITEM

CADFILE NO: S6735111.S01

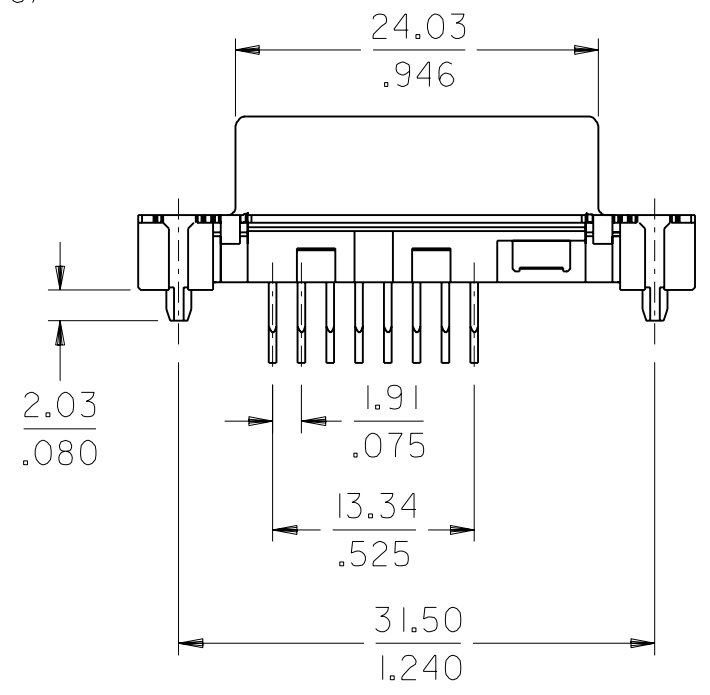
DO NOT SCALE DRAWING

NOTES:

1. MATERIALS: SHIELD -- DEEP DRAW STEEL.
HOUSING -- GLASS FILLED POLYMER, NATURAL (IVORY WHITE), UL 94V-0.
CONTACTS -- COPPER ALLOY.
2. PLATING: OUTER SHIELD -- 150u"/3.75um MIN. BRIGHT TIN OVER
50u"/1.27um MIN. NICKEL OVER COPPER FLASH.
.075"/1.91mm CONTACTS -- SELECT GOLD FLASH AND
100u"/2.50um MIN. SELECT PURE TIN
OVER 50u"/1.27um MIN. NICKEL OVERALL.
3. PRODUCT CONFORMS TO MOLEX PRODUCT SPECIFICATION NUMBER PS-74320-001.
4. PARTS WILL BE PACKAGED IN TRAYS PER PK-74320-010.
5. PRODUCT CONFORMS TO DDWG DVI SPECIFICATION. REFER TO THIS SPECIFICATION FOR CONNECTOR MATING DIMENSIONS.
6. RECOMMENDED MOUNTING HARDWARE IS MOLEX P/N 88780-6066 OR 71781-0001 OR 82007-0300. REFER TO PRODUCT SPECIFICATION NUMBER PS-74320-001 FOR THE APPLICATION TORQUE REQUIREMENT.



#4-40 THREAD (2X)
(SEE NOTE #6)



MODIFICATION EC NO. SH2004-0129 DRWN: TXUE 2004/03/04 CHK: GRMA 2004/03/04 APPR: SAM 2004/03/04	QUALITY SYMBOLS MAJOR $\nabla = 0$ CRITICAL $\nabla C = 0$	GENERAL TOLERANCES: (UNLESS SPECIFIED)	SCALE 2:1 DESIGN UNITS <input checked="" type="checkbox"/> mm <input checked="" type="checkbox"/> INCH	DIMENSIONS: <input checked="" type="checkbox"/> mm <input type="checkbox"/> INCH <input type="checkbox"/> mm ONLY	SHT REV	
	DRAWN BY & DATE GRACE LEU 00/09/20	CHECKED BY & DATE SASHIN 00/09/20	APPROVED BY & DATE MLIN 00/09/20	TITLE: DVI-DIGITAL VERTICAL RECEPTACLE ASSEMBLY FOR ADAPTER		
	ANGULAR: $\pm 3^\circ$	CAD FILENAME SD67351011.S01		MATERIAL NO. 67351-7001	DRAWING NO. SD-67351-011	SHEET NO. 1 OF 1
	DRAFT WHERE APPLICABLE MUST REMAIN WITHIN DIMENSIONS		THIS DRAWING CONTAINS INFORMATION THAT IS PROPRIETARY TO MOLEX INCORPORATED AND SHOULD NOT BE USED WITHOUT WRITTEN PERMISSION.			SIZE A3