

**PLEASE CHECK WWW.MOLEX.COM FOR LATEST PART INFORMATION**

**Part Number:** [0512362005](#)  
**Status:** **Active**  
**Description:** CRC™ Shielded Rectangular I/O Mold Cover B, For Plug Assembly, 20 Circuits

**Documents:**

[3D Model](#) [Product Specification PS-51238-018 \(PDF\)](#)  
[Drawing \(PDF\)](#) [RoHS Certificate of Compliance \(PDF\)](#)  
[Product Specification PS-51238-010 \(PDF\)](#)

**Agency Certification**

CSA	LR19980
TUV	R72081037
UL	E29179

**General**

Product Family	I/O Connectors
Series	<a href="#">51236</a>
Application	N/A
Component Type	Plug Cover
Product Name	CRC™
Type	N/A

**Physical**

Boot Color	N/A
Breakaway	No
Circuits (Loaded)	20
Circuits (maximum)	20
Color - Resin	Gray
Durability (mating cycles max)	100
Flammability	94V-0
Gender	N/A
Lock to Mating Part	Yes
Material - Plating Mating	n/a
Material - Resin	Polycarbonate
Number of Rows	0
Orientation	Vertical
Packaging Type	Tray
Panel Mount	N/A
Pitch - Mating Interface (in)	0.000 In
Pitch - Mating Interface (mm)	0.00 mm
Polarized to Mating Part	N/A
Polarized to PCB	N/A
Ports	1
Surface Mount Compatible (SMC)	N/A
Temperature Range - Operating	-40°C to +105°C
Termination Interface: Style	N/A
Waterproof / Dustproof	No

**Electrical**

Current - Maximum per Contact	7A
Voltage - Maximum	250V AC (RMS)/DC

**Material Info**

**Reference - Drawing Numbers**

Product Specification	PS-51238-010, PS-51238-018, RPS-51238-001
Sales Drawing	SD-51236-005



**EU RoHS**

**ELV and RoHS  
Compliant**  
**REACH SVHC  
Contains SVHC: No**  
**Halogen-Free  
Status  
Not Reviewed**

**China RoHS**



**Need more information on product  
environmental compliance?**

Email [productcompliance@molex.com](mailto:productcompliance@molex.com)  
For a multiple part number RoHS Certificate of  
Compliance, [click here](#)

Please visit the [Contact Us](#) section for any  
non-product compliance questions.

**Search Parts in this Series**

[51236Series](#)

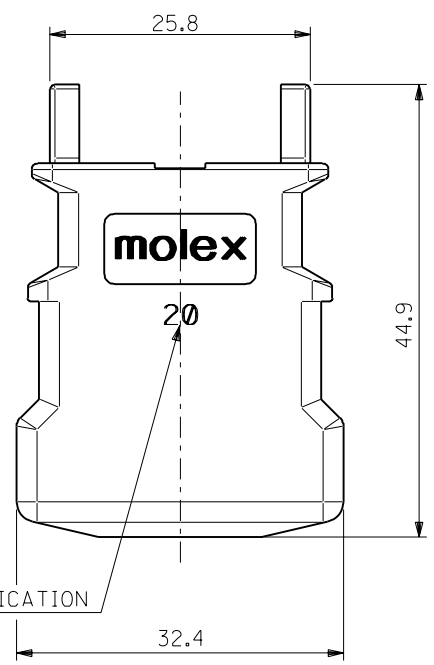
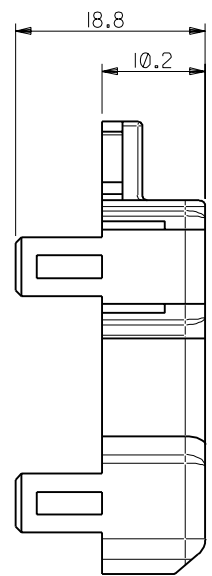
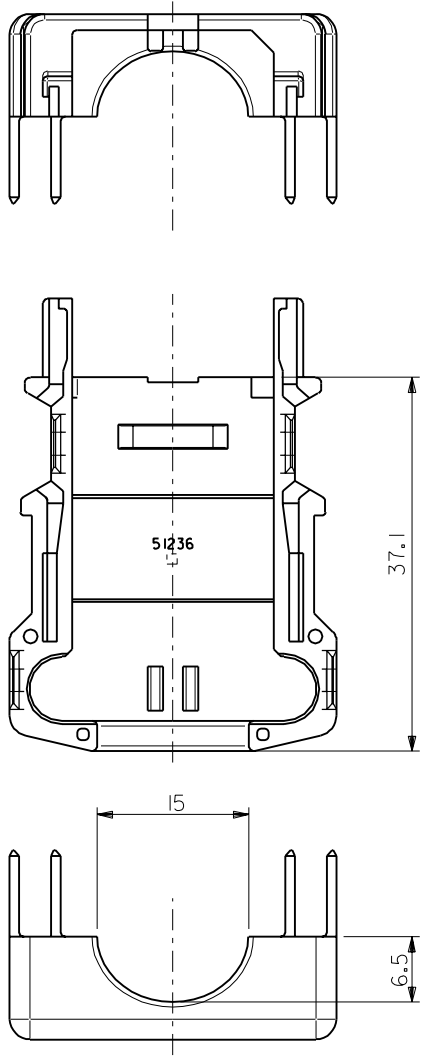
**Use With**

[51235](#) mold cover A

This document was generated on 04/06/2010

**PLEASE CHECK [WWW.MOLEX.COM](http://WWW.MOLEX.COM) FOR LATEST PART INFORMATION**

DWG. NO.  
SD-51236-005



SIZE IDENTIFICATION

注記  
NOTES

1. 材質  
MATERIAL  
ガラス入りポリカーボネイト樹脂 UL94V-0 色: グレー  
POLYCARBONATE C.F. UL94V-0 COLOR: GRAY
2. 適用プラグモールドカバー A : 51235-2015  
APPLICABLE PLUG MOLD COVER A : 51235-2015

51236-2005	51236-***05
MATERIAL.NO	MODEL.NO
DIMENSIONS:	
<input type="checkbox"/> mm	<input type="checkbox"/> INCH
<input type="checkbox"/> mm	<input checked="" type="checkbox"/> mm ONLY
SHT	REV
REVISE ON	CAD ONLY

DO NOT SCALE DRAWING

EC NO. DRWN: CHK: APPR:	EC NO. DRWN: CHK: APPR:	EC NO. DRWN: CHK: APPR:	REVISED 01/10/24 EC NO. J2002-0999 DRWN: K.SAKAMOTO CHK: J.MIYAZAWA APPR: Y.O.ITO	EC NO. JD2001-1040 DRWN: S.AKIYAMA CHK: J.MIYAZAWA APPR: H.IKESUGI	DESCRIPTION
A	0				注記参照 SEE NOTES
WIRE RANGE 適用電線範囲	#				
INS. RANGE 被覆外径	#				

MATERIAL 材料	注記参照 SEE NOTES
FINISH 仕上げ	#
WIRE RANGE 適用電線範囲	#
INS. RANGE 被覆外径	#

GENERAL TOLERANCES: (UNLESS SPECIFIED) 一般公差	SCALE 2:1	DESIGN UNITS <input checked="" type="checkbox"/> mm <input type="checkbox"/> INCH	THIRD ANGLE PROJECTION
10 UNDER 未満	±0.2	DRAWN BY & DATE S. Akiyama 01/01/25	TITLE:
10 OVER 30 UNDER 未満	±0.25	CHECKED BY & DATE J. Miyazawa / Y. Ito	COMPACT ROBOT CONN. (CRC) PLUG MOLD COVER B
30 OVER 以上	±0.3	APPROVED BY & DATE H. Ikesugi	<b>molex</b> MOLEX INCORPORATED
ANGLE 角度	±3°	CAD FILE NAME 51236005.S01	MATERIAL NO. SEE CHART

MATERIAL NO.	DRAWING NO.	SHEET NO.
SEE CHART	SD-51236-005	1 OF 1
THIS DRAWING CONTAINS INFORMATION THAT IS PROPRIETARY TO MOLEX INCORPORATED AND SHOULD NOT BE USED WITHOUT WRITTEN PERMISSION.		
SIZE B	EN-02J(097) MXJ-54	

51236005.S01