

PLEASE CHECK WWW.MOLEX.COM FOR LATEST PART INFORMATION

Part Number: [0876411011](#)
Status: **Active**
Overview: [sca2](#)
Description: 1.27mm (.050") Pitch SCA-2 Plug, Surface Mount, Right Angle, 80 Circuits, 0.76µm (30µ") Gold (Au) Plating, with Metal Locating Pegs, Lead-free

Documents:

[3D Model](#) [RoHS Certificate of Compliance \(PDF\)](#)
[Drawing \(PDF\)](#)

General

Product Family	PCB Headers
Series	87641
Application	Board-to-Board
Overview	sca2
Product Name	SCA-2

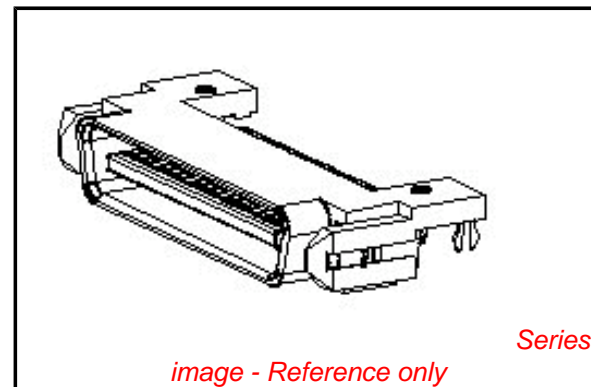
Physical

Breakaway	No
Circuits (Loaded)	80
Circuits (maximum)	80
Color - Resin	Black
Durability (mating cycles max)	500
First Mate / Last Break	No
Glow-Wire Compliant	No
Guide to Mating Part	Yes
Keying to Mating Part	None
Lock to Mating Part	None
Material - Metal	Phosphor Bronze
Material - Plating Mating	Gold
Material - Plating Termination	Tin
Material - Resin	High Temperature Thermoplastic
Number of Rows	2
Orientation	Right Angle
PCB Locator	Yes
PCB Retention	Yes
Packaging Type	Tray
Pitch - Mating Interface (in)	0.050 In
Pitch - Mating Interface (mm)	1.27 mm
Plating min: Mating (µin)	30.4
Plating min: Mating (µm)	0.76
Plating min: Termination (µin)	152.4
Plating min: Termination (µm)	3.81
Polarized to Mating Part	Yes
Polarized to PCB	Yes
Shrouded	Fully
Stackable	No
Surface Mount Compatible (SMC)	N/A
Temperature Range - Operating	-55°C to +85°C
Termination Interface: Style	Surface Mount

Electrical

Current - Maximum per Contact	1.5A
Voltage - Maximum	30V

Material Info



EU RoHS

ELV and RoHS Compliant
REACH SVHC
 Not Reviewed
Halogen-Free Status
 Not Reviewed

China RoHS



Need more information on product environmental compliance?

Email productcompliance@molex.com
 For a multiple part number RoHS Certificate of Compliance, [click here](#)

Please visit the [Contact Us](#) section for any non-product compliance questions.

Search Parts in this Series

[87641Series](#)

Mates With

[73829](#) PCB Receptacle with Beveled Metal Pins. [87557](#) SCA-2 Receptacle with Beveled Metal Pins. [73826](#) PCB Receptacle with Press-fit PC Tails. [71743](#) PCB Receptacle Vertical SCA-2. [71744](#) PCB Receptacle with Extended Height

Reference - Drawing Numbers

Sales Drawing

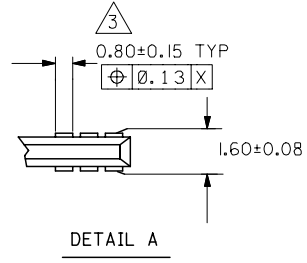
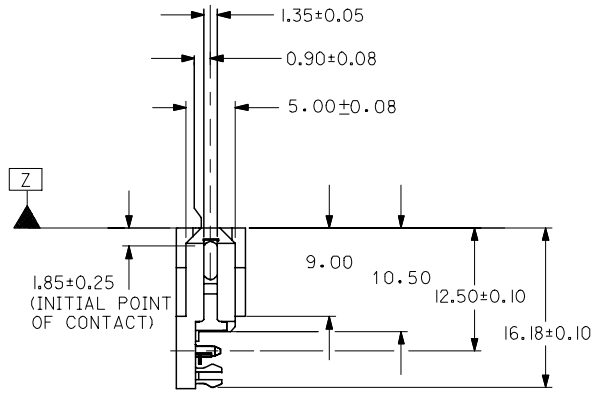
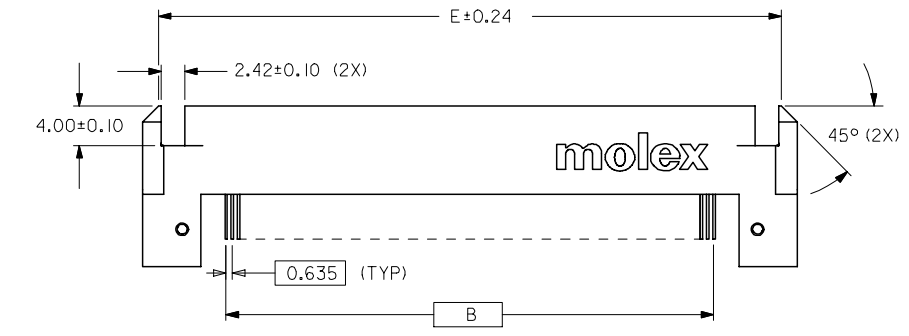
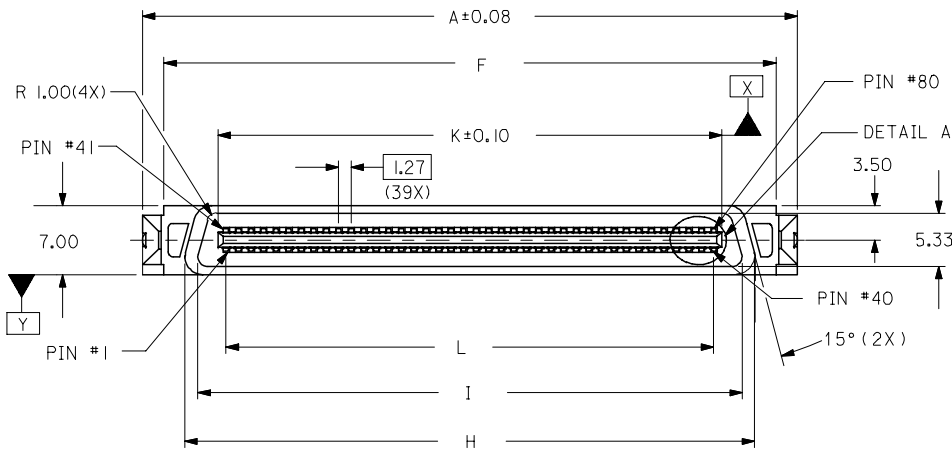
SD-87641-011

This document was generated on 05/25/2010

PLEASE CHECK WWW.MOLEX.COM FOR LATEST PART INFORMATION

10 9 8 7 6 5 4 3 2 1

PART NUMBER	CKT	A	B	C	D	E	F
87641-1011	80	66.50	50.165	66.40	64.50	63.30	62.15
87641-1012	40	41.10	24.765	41.00	39.10	37.90	36.75
		G	H	I	J	K	L
		58.42	57.87	55.27	54.70	51.17	49.53
		33.02	32.47	29.87	29.30	25.77	24.13



OBS TIN/LEAD P/N	2006/04/11
EC NO: S2006-0817	2006/04/12
DRWN:MLONG	2006/04/12
CHKD:CGTAN	2006/04/12
APPR:KCLING	2006/04/12

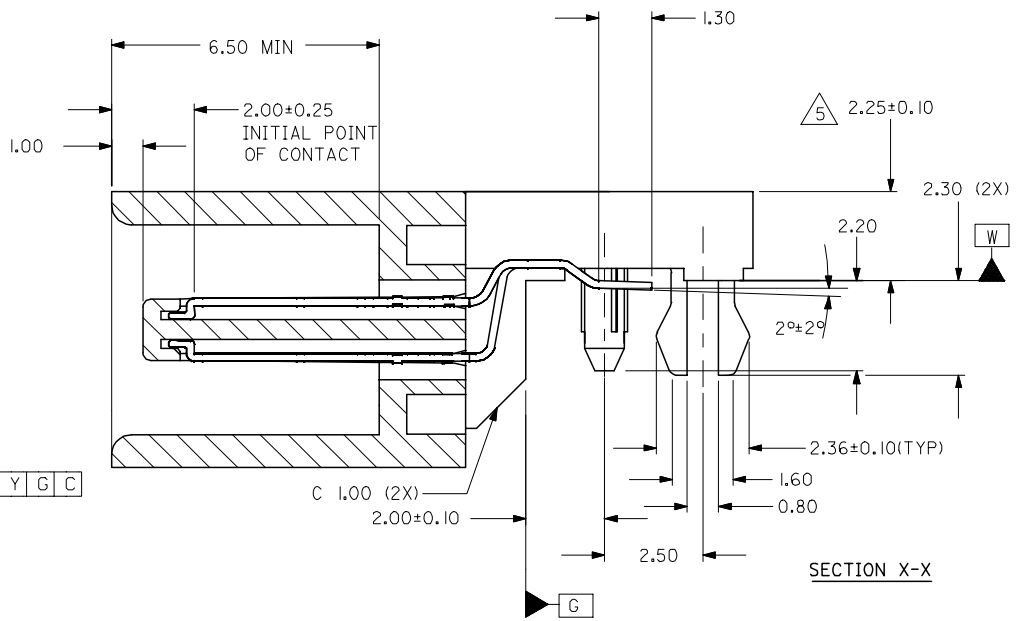
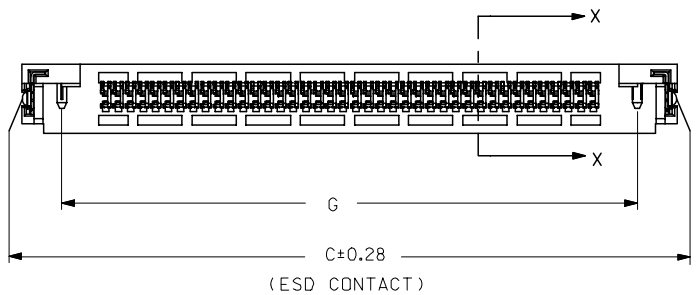
QUALITY SYMBOLS	DESCRIPTION
▽=0	
▽C=0	

GENERAL TOLERANCES (UNLESS SPECIFIED)	
mm	INCH
4 PLACES ± ---	± ---
3 PLACES ± ---	± ---
2 PLACES ± 0.30	± ---
1 PLACE ± ---	± ---
ANGULAR ± 3°	
DRAFT WHERE APPLICABLE MUST REMAIN WITHIN DIMENSIONS	

DIMENSION STYLE	
MM ONLY	
DRAWN BY	DATE
NAGESHKN	2000/07/22
CHECKED BY	DATE
PTL IM	2000/08/28
APPROVED BY	DATE
SKTOH	2000/08/28
MATERIAL NO.	SEE TABLE

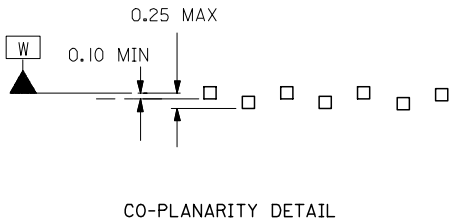
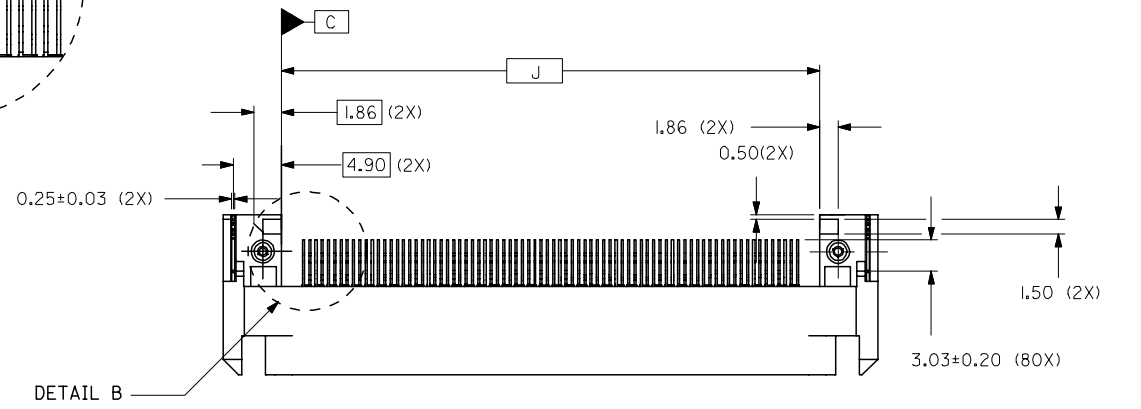
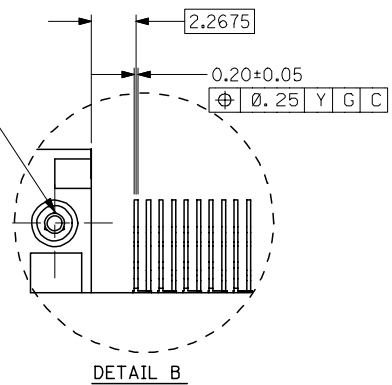
SCALE	NTS
DESIGN UNITS	METRIC
THIRD ANGLE PROJECTION	
TITLE	
SCA-2, 1.27MM PITCH PLUG, SIL W/METAL LOC. PEG, SMT	
MOLEX INCORPORATED	
DOCUMENT NO.	SD-87641-011
SHEET NO.	1 OF 3

9 8 7 6 5 4 3 2 1

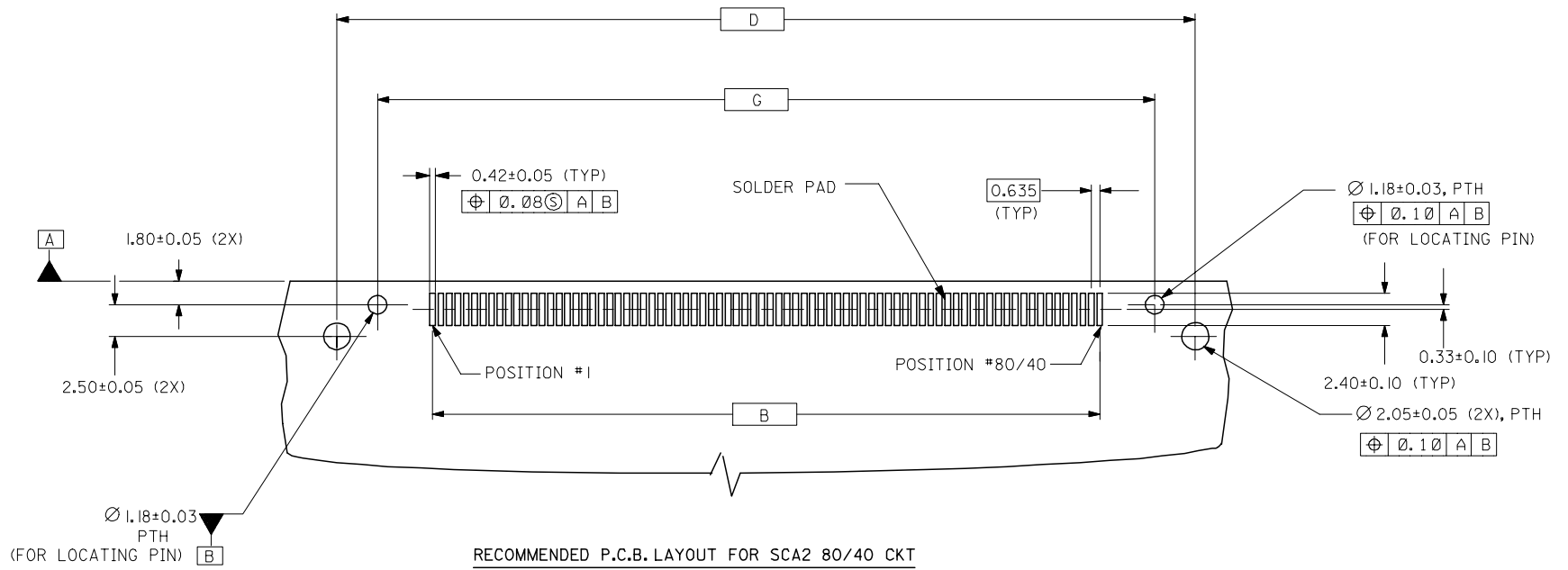


NOTE:

- MATERIAL :
HOUSING: LCP, UL RATED 94V-0 COLOUR BLACK
CONTACTS: COPPER ALLOY
ESD CLIP : COPPER ALLOY
LOCATING PIN : COPPER ALLOY
- PLATING:
CONTACTS: 1.27 μ m MIN. NICKEL UNDERPLATE ALL OVER,
0.76 μ m MIN. GOLD PLATE AT CONTACT AREA
AND 3.81 μ m MIN. TIN ON SOLDER TAILS.
RETENTION CLIP: 1.27 μ m MIN. NICKEL UNDERPLATE ALL
OVER WITH 3.81 μ m MIN. TIN ALL OVER.
LOCATING PIN: 3.81 μ m TIN OVERALL OVER
0.50 μ m COPPER OVERALL.
- CONTACT MUST BE ABOVE PLASTIC ALONG EFFECTIVE MATING AREA
- 80 CKT IS SHOWN FOR ILLUSTRATION PURPOSE ONLY
- THE MAXIMUM OFFSET BETWEEN THE LEFT AND THE RIGHT SHOULDERS IS
 ± 0.06 MM



OBS TIN/LEAD P/N EC NO: S2006-0817 DRWN:MLONG CHKD:CGTAN APPR:KCLING	2006/04/11 2006/04/12 2006/04/12	DESCRIPTION	QUALITY SYMBOLS ▽=0 △=0	GENERAL TOLERANCES (UNLESS SPECIFIED)		DIMENSION STYLE MM ONLY		SCALE NTS	DESIGN UNITS METRIC	THIRD ANGLE PROJECTION
				mm	INCH	DRAWN BY NAGESHKN	DATE 2000/07/22	TITLE SCA-2, 1.27MM PITCH PLUG, SIL W/METAL LOC. PEG, SMT		
REV	D	REV	DESCRIPTION	4 PLACES	± ---	± ---	APPROVED BY PTL IM	DATE 2000/08/28	MOLEX INCORPORATED	
				3 PLACES	± ---	± ---	APPROVED BY SKTOH	DATE 2000/08/28	DOCUMENT NO. SD-87641-011	SHEET NO. 2 OF 3
DRAFT WHERE APPLICABLE MUST REMAIN WITHIN DIMENSIONS				SIZE A3		SEE TABLE		THIS DRAWING CONTAINS INFORMATION THAT IS PROPRIETARY TO MOLEX INCORPORATED AND SHOULD NOT BE USED WITHOUT WRITTEN PERMISSION		



RECOMMENDED P.C.B. LAYOUT FOR SCA2 80/40 CKT

OBS TIN/LEAD P/N EC NO: S2006-0817 DRWN:MLONG CHKD:CGTAN APPR:KCLING	2006/04/11 2006/04/12 2006/04/12	DESCRIPTION REV	QUALITY SYMBOLS	GENERAL TOLERANCES (UNLESS SPECIFIED)	DIMENSION STYLE	SCALE	DESIGN UNITS	THIRD ANGLE PROJECTION																												
			$\nabla=0$ $\sphericalangle=0$	<table border="1"> <thead> <tr> <th></th> <th>mm</th> <th>INCH</th> </tr> </thead> <tbody> <tr> <td>4 PLACES</td> <td>±---</td> <td>±---</td> </tr> <tr> <td>3 PLACES</td> <td>±---</td> <td>±---</td> </tr> <tr> <td>2 PLACES</td> <td>±0.30</td> <td>±---</td> </tr> <tr> <td>1 PLACE</td> <td>±---</td> <td>±---</td> </tr> </tbody> </table>		mm	INCH	4 PLACES	±---	±---	3 PLACES	±---	±---	2 PLACES	±0.30	±---	1 PLACE	±---	±---	MM ONLY	NTS	METRIC														
				mm	INCH																															
			4 PLACES	±---	±---																															
3 PLACES	±---	±---																																		
2 PLACES	±0.30	±---																																		
1 PLACE	±---	±---																																		
	<table border="1"> <thead> <tr> <th></th> <th>mm</th> <th>INCH</th> </tr> </thead> <tbody> <tr> <td>4 PLACES</td> <td>±---</td> <td>±---</td> </tr> <tr> <td>3 PLACES</td> <td>±---</td> <td>±---</td> </tr> <tr> <td>2 PLACES</td> <td>±0.30</td> <td>±---</td> </tr> <tr> <td>1 PLACE</td> <td>±---</td> <td>±---</td> </tr> </tbody> </table>		mm	INCH	4 PLACES	±---	±---	3 PLACES	±---	±---	2 PLACES	±0.30	±---	1 PLACE	±---	±---	<table border="1"> <thead> <tr> <th>DRAWN BY</th> <th>DATE</th> <th>TITLE</th> </tr> </thead> <tbody> <tr> <td>NAGESHKN</td> <td>2000/07/22</td> <td rowspan="2">SCA-2, 1.27MM PITCH PLUG, SIL W/METAL LOC. PEG, SMT</td> </tr> <tr> <td>CHECKED BY</td> <td>DATE</td> </tr> <tr> <td>PTL IM</td> <td>2000/08/28</td> <td rowspan="2">MOLEX INCORPORATED</td> </tr> <tr> <td>APPROVED BY</td> <td>DATE</td> </tr> <tr> <td>SKTOH</td> <td>2000/08/28</td> <td></td> </tr> </tbody> </table>	DRAWN BY	DATE	TITLE	NAGESHKN	2000/07/22	SCA-2, 1.27MM PITCH PLUG, SIL W/METAL LOC. PEG, SMT	CHECKED BY	DATE	PTL IM	2000/08/28	MOLEX INCORPORATED	APPROVED BY	DATE	SKTOH	2000/08/28				
	mm	INCH																																		
4 PLACES	±---	±---																																		
3 PLACES	±---	±---																																		
2 PLACES	±0.30	±---																																		
1 PLACE	±---	±---																																		
DRAWN BY	DATE	TITLE																																		
NAGESHKN	2000/07/22	SCA-2, 1.27MM PITCH PLUG, SIL W/METAL LOC. PEG, SMT																																		
CHECKED BY	DATE																																			
PTL IM	2000/08/28	MOLEX INCORPORATED																																		
APPROVED BY	DATE																																			
SKTOH	2000/08/28																																			
				DRAFT WHERE APPLICABLE MUST REMAIN WITHIN DIMENSIONS	SEE TABLE	DOCUMENT NO.	SHEET NO.																													
						SD-87641-011	3 OF 3																													