

**PLEASE CHECK WWW.MOLEX.COM FOR LATEST PART INFORMATION**

**Part Number:** [0740611013](#)  
**Status:** **Active**  
**Overview:** [vhdm](#)  
**Description:** 2.00mm (.079") Pitch VHDM® Board-to-Board Backplane Header, Vertical, 8-Row, Guide Pin Signal Module, Pin End Version, 80 Circuits, Pin Length 4.25mm (.167")

**Documents:**

[Drawing \(PDF\)](#) [RoHS Certificate of Compliance \(PDF\)](#)

**General**

Product Family	Backplane Connectors
Series	<a href="#">74061</a>
Application	Backplane
Application Tooling Documents	<a href="http://www.molex.com/pdm_docs/ats/TM-622010999.pdf">Tooling Manual</a>
Comments	Keying Position A
Component Type	PCB Header
Overview	<a href="#">vhdm</a>
Product Name	VHDM®
Style	N/A

**Physical**

Circuits (Loaded)	80
Circuits (maximum)	80
Color - Resin	Black
Durability (mating cycles max)	200
First Mate / Last Break	No
Guide to Mating Part	Yes
Keying to Mating Part	Yes
Material - Metal	Beryllium Copper, High Performance Alloy (HPA), Stainless Steel
Material - Plating Mating	Gold
Material - Plating Termination	Tin-Lead
Material - Resin	High Temperature Thermoplastic
Number of Columns	N/A
Number of Pairs	Open Pin Field
Number of Rows	8
Orientation	Vertical
PC Tail Length (in)	0.098 In
PC Tail Length (mm)	2.50 mm
PCB Locator	No
PCB Retention	None
PCB Thickness Recommended (in)	0.070 In
PCB Thickness Recommended (mm)	1.80 mm
Packaging Type	Tube
Pitch - Mating Interface (in)	0.079 In
Pitch - Mating Interface (mm)	2.00 mm
Pitch - Term. Interface (in)	0.079 In
Pitch - Term. Interface (mm)	2.00 mm
Plating min: Mating (µin)	30
Plating min: Mating (µm)	0.75
Plating min: Termination (µin)	30
Plating min: Termination (µm)	0.75
Polarized to PCB	Yes
Stackable	No
Surface Mount Compatible (SMC)	Yes

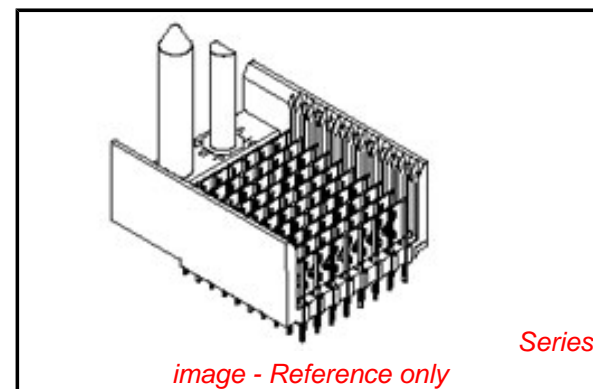


image - Reference only

**EU RoHS**

**RoHS Compliant by Exemption**

**REACH SVHC**

Not Reviewed

**Halogen-Free**

**Status**

**Not Reviewed**

**China RoHS**



Pb

**Need more information on product environmental compliance?**

Email [productcompliance@molex.com](mailto:productcompliance@molex.com)  
 For a multiple part number RoHS Certificate of Compliance, [click here](#)

Please visit the [Contact Us](#) section for any non-product compliance questions.

**Search Parts in this Series**

[74061Series](#)

**Mates With**

[74040 VHDM® Board-to-Board Daughtercard Receptacle](#)

**Application Tooling | FAQ**

*Tooling specifications and manuals are found by selecting the products below. Crimp Height Specifications are then contained in the Application Tooling Specification document.*

**Global**

Description	Product #
VHDM® Signal Pin Inserter Repair Tool	<a href="#">0622015700</a>
VHDM® 8 Row and Shield Repair Tool	<a href="#">0622015900</a>
VHDM® 8 Row Shield Extraction Tool	<a href="#">0622016100</a>

Temperature Range - Operating  
Termination Interface: Style

105°C max  
Through Hole - Compliant Pin

### Electrical

Current - Maximum per Contact  
Data Rate  
Real Signals (per 25mm)  
Shield Type  
Shielded  
Voltage - Maximum

1A  
3.125 Gbps  
100  
Ground Plane Shield  
Yes  
120V AC (RMS)/DC

### Material Info

### Reference - Drawing Numbers

Sales Drawing

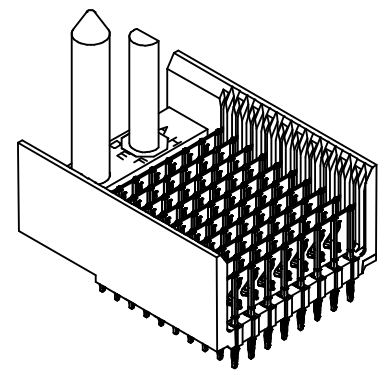
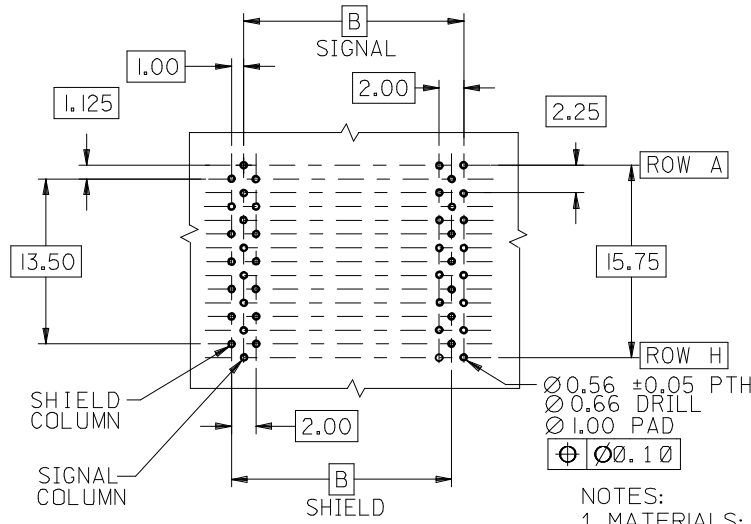
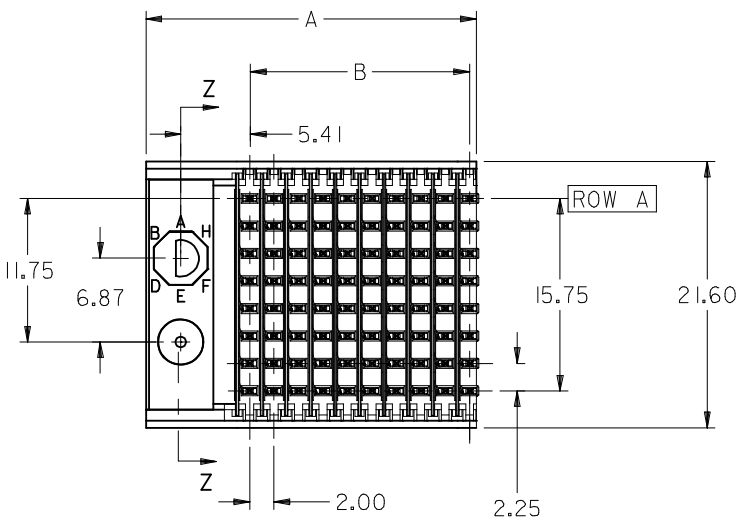
SD-74061-002

VHDM and Very High Density Metric are trademarks of Amphenol Corporation

VHDM® Insertion 0622020205  
Module for Advanced  
Mate Signal Header,  
8 Row by 10 Wide,  
20.00mm (.787")  
VHDM® Insertion 0622020209  
Module for Standard  
Shield Signal  
Header, 8 Row by  
10 Wide, 20.00mm  
(.787")  
Flat Rock Tooling for 0622013700  
Pneumatic Press

This document was generated on 06/01/2010

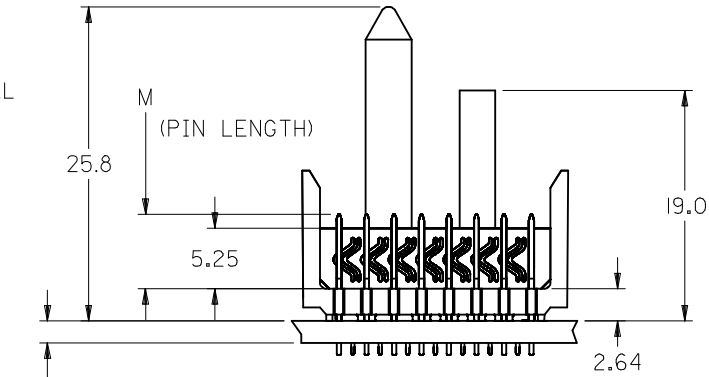
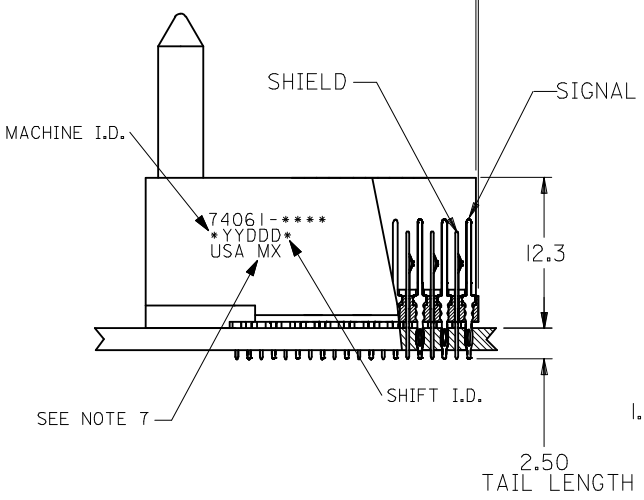
**PLEASE CHECK [WWW.MOLEX.COM](http://WWW.MOLEX.COM) FOR LATEST PART INFORMATION**



**BACKPLANE HOLE PATTERN**  
RECOMMENDED DIMENSION

- NOTES:
- MATERIALS:  
HOUSING - LIQUID CRYSTAL POLYMER (LCP),  
GLASS-FILLED, UL 94V-0, COLOR: BLACK  
SIGNAL PIN & SHIELD - COPPER ALLOY
  - FINISHES:  
CONTACT AREA: SELECTIVE GOLD (Au)  
PCB TAILS: SELECTIVE TIN/LEAD (Sn/Pb)  
OR SELECTIVE MATTE TIN (Sn)  
NICKEL (Ni) OVERALL.
  - THIS PART CONFORMS TO MOLEX PRODUCT SPECIFICATION PS-74031-999
  - FOR MIXED CONTACT LENGTHS CONSULT MOLEX FOR AVAILABILITY
  - FOR SPECIFIC MATERIAL NUMBERS & MATING INFORMATION REFER TO SHEET 2
  - PACKAGE PER PK-74061-003
  - EITHER MARK PART WITH PART NUMBER & DATE CODE APPROXIMATELY WHERE SHOWN OR PLACE LABEL ON THE TUBE.

0.26 MAX OVERALL PROTRUSION



1.8 MIN PCB

CORRECTED DIMS EC NO: UCP2008-0329 DRAWN: JJONIAK 2007/08/28 CHKD: JJONIAK 2007/08/28 APPR: CBIXLER 2007/08/28	DESCRIPTION REV	QUALITY SYMBOLS	GENERAL TOLERANCES (UNLESS SPECIFIED)	DIMENSION STYLE	SCALE	DESIGN UNITS	THIRD ANGLE PROJECTION
		$\nabla=0$ $\nabla=7$	mm INCH 4 PLACES ± --- ± --- 3 PLACES ± --- ± --- 2 PLACES ± --- ± --- 1 PLACE ± --- ± --- ANGULAR ±1/2°	MM ONLY	2.5:1	METRIC	DRAWN BY DATE MWANG 1998/11/09 CHECKED BY DATE JLAURX 1998/11/09 APPROVED BY DATE CBIXLER 1998/11/09
		DRAFT WHERE APPLICABLE MUST REMAIN WITHIN DIMENSIONS	MATERIAL NO. SEE SHEET 2 SIZE B	TITLE VHDM 8 ROW SIGNAL END BACKPLANE SALES ASSEMBLY MOLEX INCORPORATED	DOCUMENT NO. SD-74061-002	SHEET NO. 1 OF 3	
		THIS DRAWING CONTAINS INFORMATION THAT IS PROPRIETARY TO MOLEX INCORPORATED AND SHOULD NOT BE USED WITHOUT WRITTEN PERMISSION					

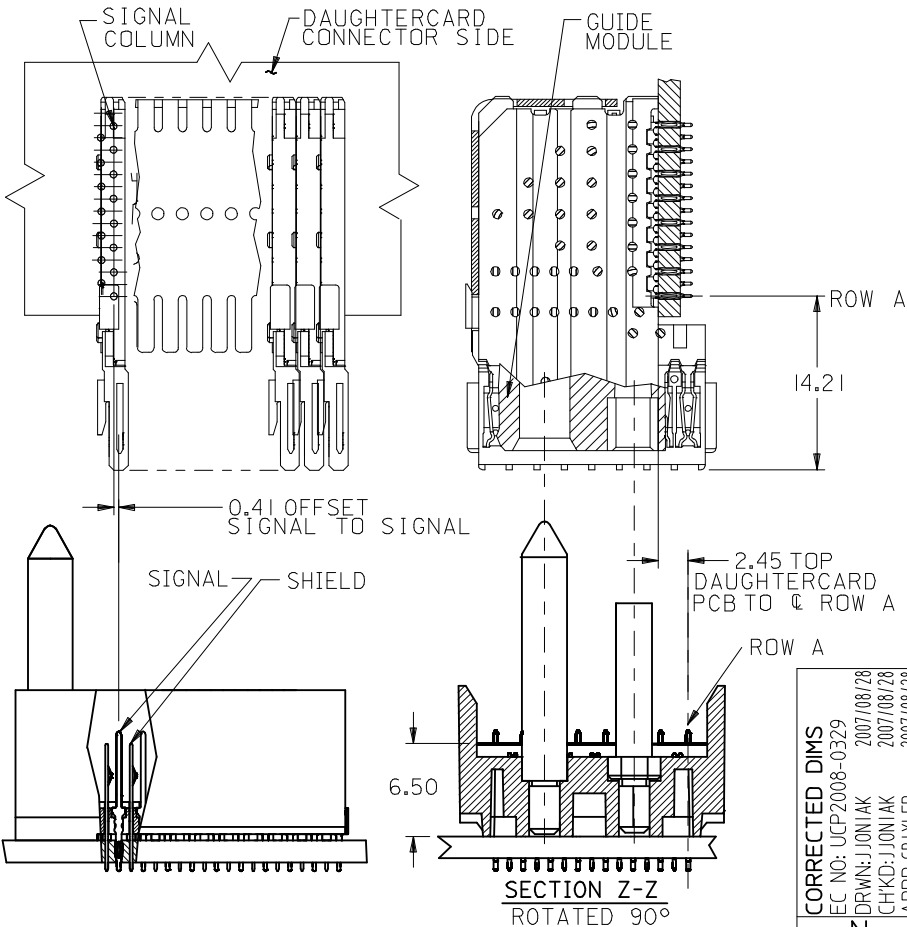
M/N 74061-( )	-**0*	-**1*	-**2*	-**3*	-**4*	-**5*	-**6*	-**7*	-**8*
KEYING PIN ORIENTATION	O	A	B	C	D	E	F	G	H

**74061 - \* \* \* \***

NUMBER OF COLUMNS/PLATING  
 10 = 10 COLUMN TIN/LEAD  
 12 = 12 COLUMN TIN/LEAD\*  
 25 = 25 COLUMN TIN/LEAD  
 90 = 10 COLUMN MATTE TIN  
 92 = 12 COLUMN MATTE TIN\*  
 85 = 25 COLUMN MATTE TIN

CONTACT LOAD  
 (PIN LENGTH)  
 1 & 6 = 4.75  
 2 & 7 = 6.25  
 3 & 8 = 4.25  
 4 & 9 = 5.15

\*12 COLUMN P/N'S ON SHEET 3



PART NUMBER	COLUMN	NUMBER OF SIGNAL PIN	NUMBER OF SHIELD	A	B	M	Au ( $\mu$ m) THICKNESS	Sn ( $\mu$ m) THICKNESS
74061-*0*1	10	80	10	27.00	18.00	4.75	0.76	0.76-1.52
74061-*0*6							1.27	
74061-*5*1	25	200	25	57.00	48.00	6.25	0.76	
74061-*5*6							1.27	
74061-*0*2	10	80	10	27.00	18.00	6.25	0.76	
74061-*0*7							1.27	
74061-*5*2	25	200	25	57.00	48.00	4.25	0.76	
74061-*5*7							1.27	
74061-*0*3	10	80	10	27.00	18.00	4.25	0.76	
74061-*0*8							1.27	
74061-*5*3	25	200	25	57.00	48.00	5.15	0.76	
74061-*5*8							1.27	
74061-*0*4	10	80	10	27.00	18.00	5.15	0.76	
74061-*0*9							1.27	
74061-*5*4	25	200	25	57.00	48.00	5.15	0.76	
74061-*5*9							1.27	

**CORRECTED DIMS**  
 EC NO: UCP2008-0329  
 DRAWN: J JONIAK 2007/08/28  
 CHKD: J JONIAK 2007/08/28  
 APPR: CBIXLER 2007/08/28

QUALITY SYMBOLS  
 $\nabla=0$   
 $\nabla=0$

GENERAL TOLERANCES (UNLESS SPECIFIED)

	mm	INCH
4 PLACES	$\pm$ ---	$\pm$ ---
3 PLACES	$\pm$ ---	$\pm$ ---
2 PLACES	$\pm$ ---	$\pm$ ---
1 PLACE	$\pm$ ---	$\pm$ ---

ANGULAR  $\pm 1/2^\circ$

DRAFT WHERE APPLICABLE  
MUST REMAIN WITHIN DIMENSIONS

DIMENSION STYLE  
**MM ONLY**

SCALE  
**2.5:1**

DESIGN UNITS  
**METRIC**

THIRD ANGLE PROJECTION

DRAWN BY: MWANG DATE: 1998/11/09  
 CHECKED BY: JLAURX DATE: 1998/11/09  
 APPROVED BY: CBIXLER DATE: 1998/11/09

TITLE  
**VHDM 8 ROW  
SIGNAL END BACKPLANE  
SALES ASSEMBLY**

MATERIAL NO.  
**SEE CHART**

DOCUMENT NO.  
**SD-74061-002**

SHEET NO.  
**2 OF 3**

**MOLEX INCORPORATED**

THIS DRAWING CONTAINS INFORMATION THAT IS PROPRIETARY TO MOLEX INCORPORATED AND SHOULD NOT BE USED WITHOUT WRITTEN PERMISSION