

**PLEASE CHECK WWW.MOLEX.COM FOR LATEST PART INFORMATION**

**Part Number:** [0554821819](#)  
**Status:** **Active**  
**Overview:** [mini\\_mi\\_ii](#)  
**Description:** 1.25mm (.049") Pitch Mini Mi II™ Wire-to-Wire Adapter, 18 Circuits, Lead-free

**Documents:**

[3D Model](#) [Product Specification PS-55482-006 \(PDF\)](#)  
[Drawing \(PDF\)](#) [RoHS Certificate of Compliance \(PDF\)](#)

**General**

Product Family	Accessories
Series	<a href="#">55482</a>
Comments	For Panel Mounting
Component Type	Adapter
MolexKits	Yes
Overview	<a href="#">mini_mi_ii</a>
Product Name	Mini Mi II™

**Physical**

Circuits (Loaded)	18
Color - Resin	Natural
Gender	Male
Material - Metal	Brass
Material - Plating Mating	Tin
Material - Plating Termination	Tin
Material - Resin	Nylon
Number of Rows	1
Packaging Type	Bag
Plating min: Mating (µin)	40
Plating min: Mating (µm)	1.00
Plating min: Termination (µin)	40
Plating min: Termination (µm)	1.00
Temperature Range - Operating	-20°C to +80°C

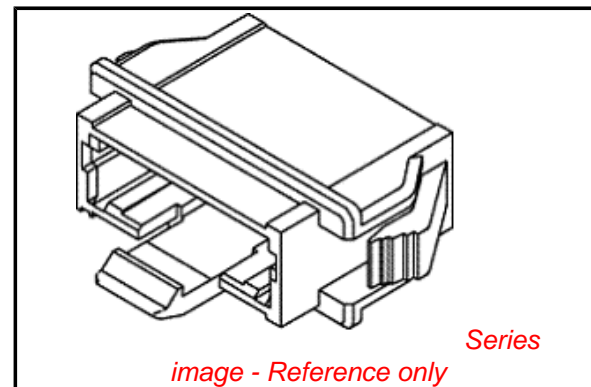
**Electrical**

Current - Maximum per Contact	1.5A
-------------------------------	------

**Material Info**

**Reference - Drawing Numbers**

Packaging Specification	SPK-55482-001
Product Specification	PS-55482-006
Sales Drawing	SD-55482-004



**EU RoHS**

**ELV and RoHS  
Compliant**  
**REACH SVHC  
Contains SVHC: No**  
**Halogen-Free  
Status**

**China RoHS**



**Not Reviewed**

**Need more information on product  
environmental compliance?**

Email [productcompliance@molex.com](mailto:productcompliance@molex.com)  
 For a multiple part number RoHS Certificate of  
 Compliance, [click here](#)

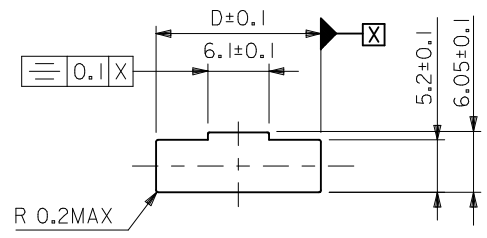
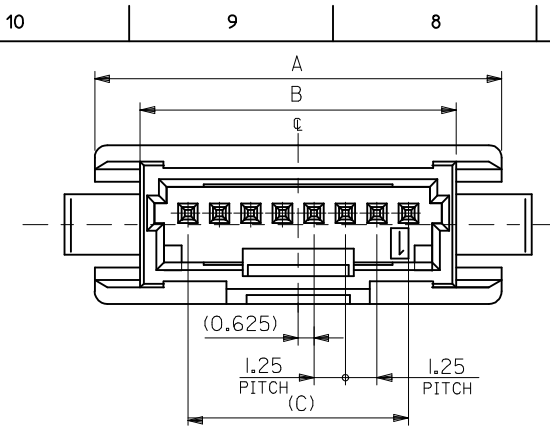
Please visit the [Contact Us](#) section for any  
 non-product compliance questions.

**Search Parts in this Series**

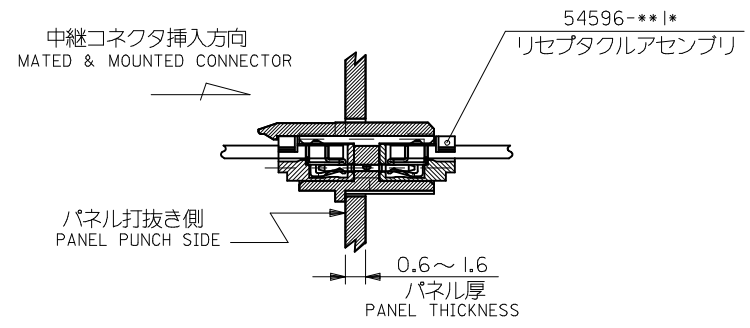
[55482Series](#)

**Use With**

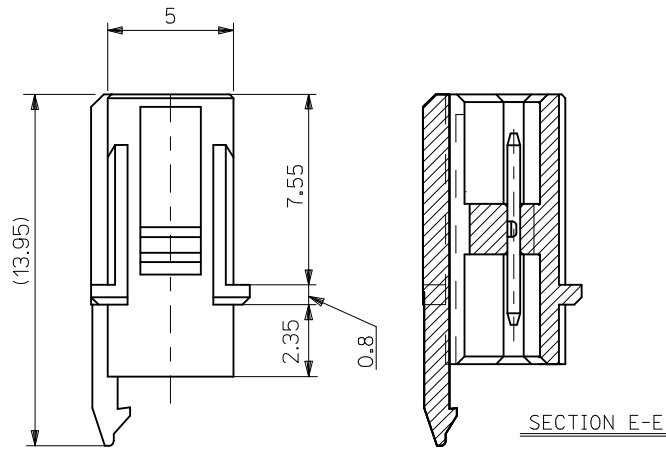
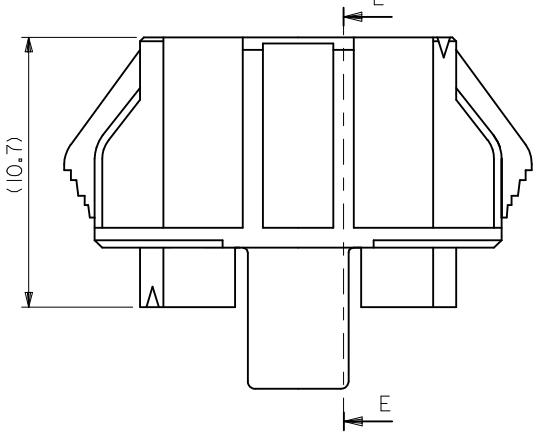
[54596](#)



推奨パネル加工寸法 (SCALE:2-1)  
RECOMMENDED PANEL CUT DIMENSION



嵌合状態図  
MATED & MOUNTED CONNECTOR



注記  
NOTES

1. 材質 MATERIAL  
ウエハー: ポリアミド、UL94-V0、ナチュラル色  
WAFER: PA、UL94-V0、COLOR NATURAL  
ピン: 黄銅、銅下地 錫メッキ  
PIN: BRASS, PRE-TINNED
2. 嵌合相手 MATE WITH  
リセプタクルアセンブリ: 54596-\*\*\*1\*  
REC.ASS'Y: 54596-\*\*\*  
ピン: リン青銅、錫メッキ  
PIN: PHOSPHOR BRONZE, PRE-TINNED
3. 本製品は 55482-\*\*\*10 の鉛フリー品である。  
THIS PRODUCT IS LEAD FREE OF 55482-\*\*\*10.
4. ELV AND ROHS COMPLIANT.

31.35	23.75	27.55	31.15	55482-2019	20
30.1	22.5	26.3	29.9	55482-1919	19
28.85	21.25	25.05	28.65	55482-1819	18
27.6	20	23.8	27.4	55482-1719	17
26.35	18.75	22.55	26.15	55482-1619	16
25.1	17.5	21.3	24.9	55482-1519	15
23.85	16.25	20.05	23.65	55482-1419	14
22.6	15	18.8	22.4	55482-1319	13
21.35	13.75	17.55	21.15	55482-1219	12
20.1	12.5	16.3	19.9	55482-1119	11
18.85	11.25	15.05	18.65	55482-1019	10
17.6	10	13.8	17.4	55482-0919	9
16.35	8.75	12.55	16.15	55482-0819	8
15.1	7.5	11.3	14.9	55482-0719	7
13.85	6.25	10.05	13.65	55482-0619	6
12.6	5	8.8	12.4	55482-0519	5
11.35	3.75	7.55	11.15	55482-0419	4
10.1	2.5	6.3	9.9	55482-0319	3
8.85	1.25	5.05	8.65	55482-0219	2
D	C	B	A	TRAY	CIRCUITS

55482-***19	MODEL NO.	ORDER NO. オーダー番号
-------------	-----------	------------------

REVISED EC NO: J2010-0170 DRWN:TKON 2009/07/27 CHKD:KASAKAWA 2009/07/28 APPR:NUKITA 2009/07/29	GENERAL TOLERANCES (UNLESS SPECIFIED)		DIMENSION STYLE	SCALE	DESIGN UNITS	THIRD ANGLE PROJECTION	
			MM ONLY	5:1	METRIC		
	DESCRIPTION	10 UNDER	±0.2	DRAWN BY	DATE	TITLE	MINI MI2 1-ROW RELAY WAFER ASSY -LEAD FREE- MOLEX INCORPORATED SD-55482-004 1 OF 1
		10 OVER 30 UNDER	±0.25	Y. SAKIYAMA	04/05/10		
	30 OVER	±0.3	M. SASAO	04/05/10			
	ANGULAR	±3 °	APPROVED BY	DATE			
	DRAFT WHERE APPLICABLE MUST REMAIN WITHIN DIMENSIONS		MATERIAL NO.	DOCUMENT NO.	SHEET NO.		
A			SEE TABLE	SD-55482-004	1 OF 1		
			THIS DRAWING CONTAINS INFORMATION THAT IS PROPRIETARY TO MOLEX INCORPORATED AND SHOULD NOT BE USED WITHOUT WRITTEN PERMISSION				