

**PLEASE CHECK WWW.MOLEX.COM FOR LATEST PART INFORMATION**

**Part Number:** [0521170340](#)  
**Status:** **Active**  
**Overview:** [splash\\_proof](#)  
**Description:** 2.50mm (.098") Pitch Splash Proof Wire-to-Wire Receptacle Housing, 3 Circuits

**Documents:**

[3D Model](#) [Product Specification PS-52117-004 \(PDF\)](#)  
[Drawing \(PDF\)](#) [RoHS Certificate of Compliance \(PDF\)](#)  
[Product Specification PS-52117-003 \(PDF\)](#)

**General**

Product Family Crimp Housings  
 Series [52117](#)  
 Overview [splash\\_proof](#)  
 Product Name Splash Proof

**Physical**

Circuits (maximum) 3  
 Color - Resin White  
 Gender Receptacle  
 Glow-Wire Compliant No  
 Lock to Mating Part Yes  
 Material - Resin Polyester  
 Number of Rows 1  
 Packaging Type Tray  
 Panel Mount No  
 Pitch - Mating Interface (in) 0.098 In  
 Pitch - Mating Interface (mm) 2.50 mm  
 Stackable No  
 Temperature Range - Operating -40°C to +105°C

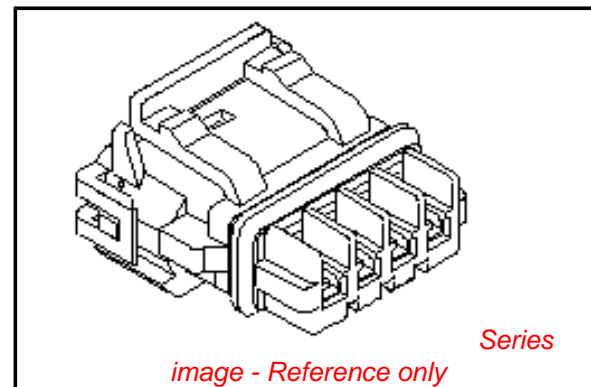
**Electrical**

Current - Maximum per Contact 3A

**Material Info**

**Reference - Drawing Numbers**

Product Specification PS-52117-003, PS-52117-004  
 Sales Drawing SD-52117-03\*\*



**EU RoHS**

**ELV and RoHS  
Compliant**  
**REACH SVHC**  
 Not Reviewed  
**Halogen-Free  
Status**

**China RoHS**



**Need more information on product  
environmental compliance?**

Email [productcompliance@molex.com](mailto:productcompliance@molex.com)  
 For a multiple part number RoHS Certificate of Compliance, [click here](#)

Please visit the [Contact Us](#) section for any non-product compliance questions.

**Search Parts in this Series**

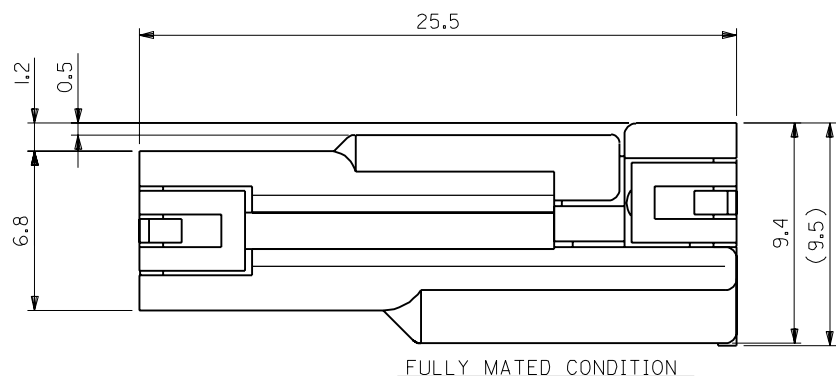
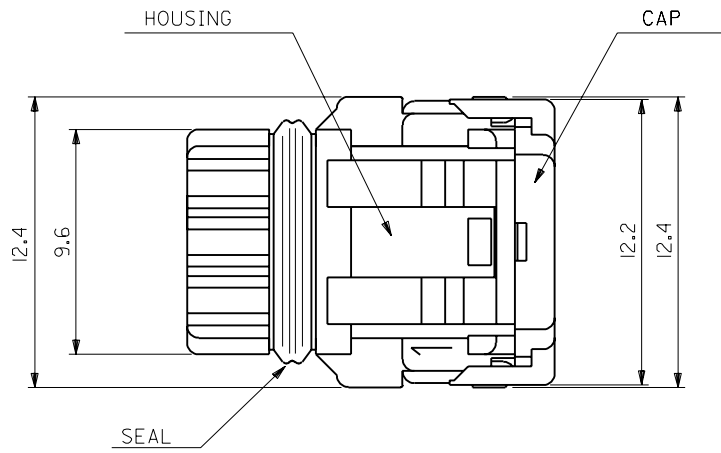
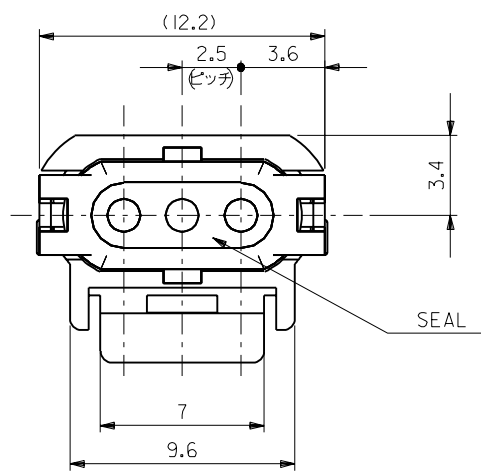
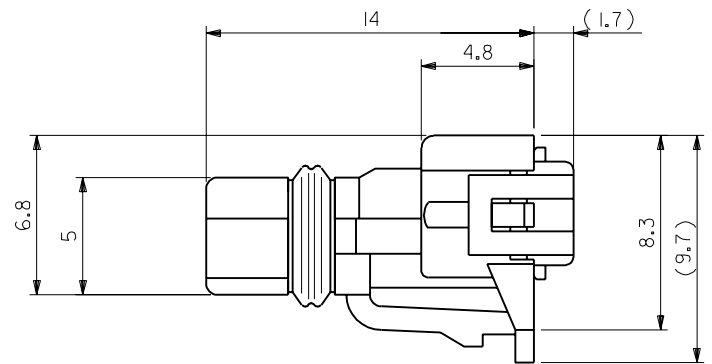
52117Series

**Mates With**

52116

**Use With**

50039

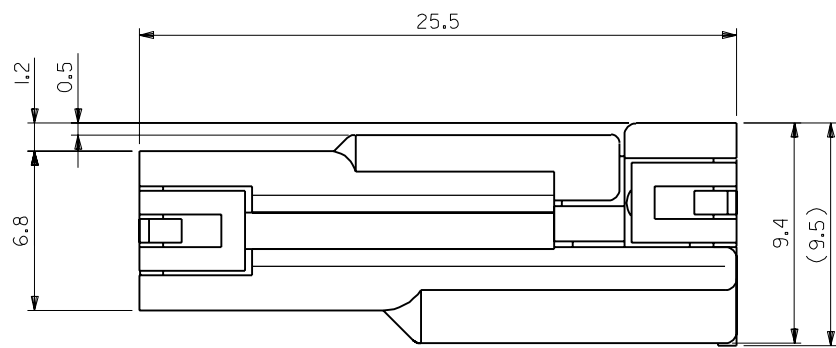
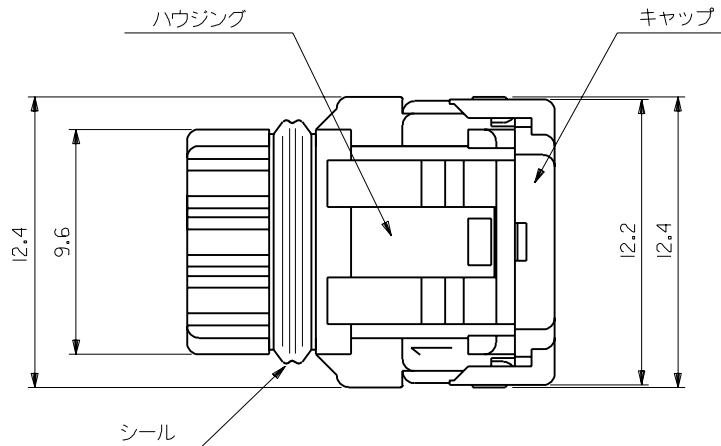
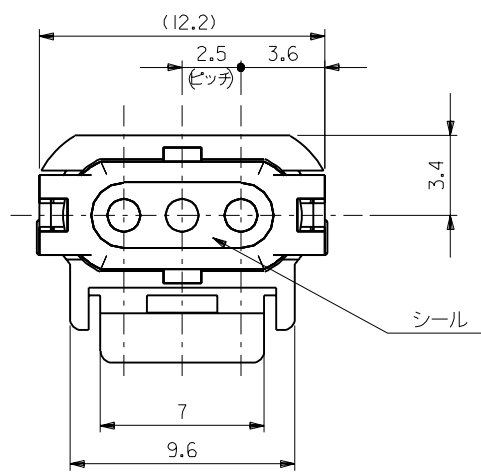
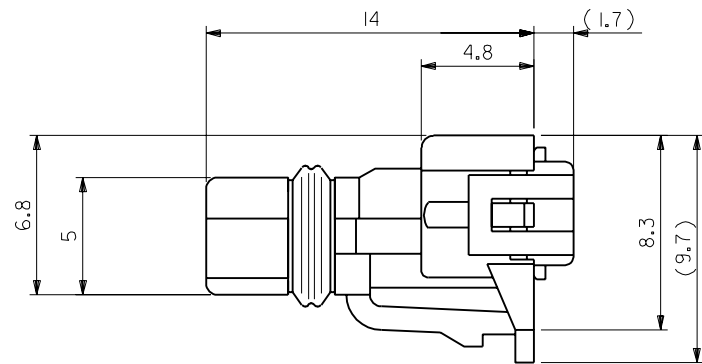


AVS0.3, AWC*20-22	RED	52117-0342
AVS0.3, AWC*20-22	BLACK	52117-0341
AVS0.3, AWC*20-22	WHITE	52117-0340
WIRE RANGE	COLOR	ENG. NO.

- NOTES**
- ACCEPTS CRIMP TERMINAL:50039-8\*00
  - MATE'L:  
 CAP ; POLYESTER(15%G.F.)  
 HOUSING;POLYESTER(15%G.F.)  
 SEAL ;SILICONE
  - MATES WITH:52116-03\*\*
  - COLOR IN THE CHART INDICATES HOUSING COLOR

E REVISED (J90218)		Y.A	3/17/89	材料 MATERIAL	SEE NOTES	MOLEX-JAPAN CO.,LTD. 日本モレックス株式会社
D REVISED (J80600)		Y.A	1/8/88	仕上げ FINISH	//	
C REVISED (J80600)		Y.A	4/15/88	適用電線範囲 WIRE RANGE	SEE CHART	EDP. NO. //
B RELEASED		ECH NO. 6338	M.S	6/25/87	被覆外径 INS. RANGE	ENG. NO. SD-52117-03** REV E
A REVISED			M.S	6/25/87	Ø 1.8-1.9	
O PROPOSED			M.S	6/10/87		
記号 LTR		変更内容	DR. CHK.	日付 DATE	DRAWN BY M.SAKANO	TITLE 名称
一般公差 GENERAL TOLERANCES		REVISION RECORD		APP'D BY M.ENOMOTO	6/10/87	2.5 SPLASH PROOF CONN. REC. HS'G ASS'Y W/POSITIVE LOCK
		REVISION RECORD		DR. CHK.	日付 DATE	尺度 SCALE 5-1

THIS DRAWING CONTAINS INFORMATION THAT IS PROPRIETARY TO MOLEX(JAPAN) AND SHOULD NOT BE USED WITHOUT WRITTEN PERMISSION  
 本図面は日本モレックス(株)の所有する情報を含むもので 当社の許可なく複製を禁止する。



嵌合状態図

注記

1. 適合ターミナル:50039-8\*00
2. 材料:  
 キャップ ;ポリエステル(ガラス15%含有)  
 ハウジング;ポリエステル(ガラス15%含有)  
 シール ;シリコンゴム
3. 適合相手 : 52116-03\*\*
4. 表の色はハウジングの色別を表す。

AVSO.3, AWG#20-22	赤	52117-0342
AVSO.3, AWG#20-22	黒	52117-0341
AVSO.3, AWG#20-22	白	52117-0340
適用電線範囲	色	ENG. NO.

E 変更 (J90218)		Y.A	5/17/89	材料	注記参照	molex MOLEX-JAPAN CO.,LTD. 日本モレックス株式会社
D 変更 (J80600)		Y.A	7/8/88	仕上げ		
C 変更 (J80532)		Y.A	6/16/88	FINISH	//	EDP. NO.
B 変更 ECN NO. 6338		M.S	8/26/87	適用電線範囲	表参照	ENG. NO.
A 変更		M.S	6/25/87	WIRE RANGE	φ 1.8-1.9	REV E
O 新規作図		M.S	6/10/87	被覆外径		
記号 LTR		変更内容	DR. DATE	INS. RANGE		
一般公差 GENERAL TOLERANCES		REVISION RECORD	CHK. DATE	DRAWN BY	APP'D BY	TITLE 名称
		REVISE ONLY ON CAD SYSTEM		M.SAKANO	M.SAKANO	2.5 SPLASH PROOF CONN. REC. HS'C ASS'Y W/POSITIVE LOCK
				M.ENOMOTO	尺度 SCALE 5-1	