

PLEASE CHECK WWW.MOLEX.COM FOR LATEST PART INFORMATION

Part Number: **0483256003**
Status: **Active**
Overview: slimline serial ata odd connectors
Description: 1.00mm (.039"), 1.27mm (.050") Pitch Slimline Serial ATA Receptacle, Right Angle, Reverse Type, Through Hole, 0.76µm (30µ") Gold (Au) Plating, Mounted Height: 7.30mm (.287"), with Cap and Screw, Lead free

Documents:

[3D Model](#) [Product Specification PS-48321-001 \(PDF\)](#)
[Drawing \(PDF\)](#) [RoHS Certificate of Compliance \(PDF\)](#)

Agency Certification

CSA LR19980
 UL E29179

General

Product Family PCB Receptacles
 Series 48325
 Application Board-to-Board
 Comments Screw version
 Overview slimline serial ata odd connectors
 Product Name Serial ATA, Slimline Serial ATA

Physical

Circuits (Loaded) 13
 Circuits (maximum) 13
 Color - Resin Black
 Durability (mating cycles max) 500
 Flammability 94V-0
 Glow-Wire Compliant No
 Guide to Mating Part Yes
 Keying to Mating Part Yes
 Lock to Mating Part No
 Material - Metal Copper Alloy
 Material - Plating Mating Gold
 Material - Plating Termination Tin
 Material - Resin High Temperature Thermoplastic
 Number of Rows 1
 Orientation Right Angle
 PC Tail Length (in) 0.071 In
 PC Tail Length (mm) 1.80 mm
 PCB Locator Yes
 PCB Retention Yes
 PCB Thickness Recommended (in) 0.047 In
 PCB Thickness Recommended (mm) 1.20 mm
 Packaging Type Embossed Tape on Reel
 Pitch - Mating Interface (in) 0.039 In, 0.050 In
 Pitch - Mating Interface (mm) 1.00 mm, 1.27 mm
 Pitch - Term. Interface (in) 0.039 In, 0.050 In
 Pitch - Term. Interface (mm) 1.00 mm, 1.27 mm
 Plating min: Mating (µin) 30
 Plating min: Mating (µm) 0.76
 Plating min: Termination (µin) 100
 Plating min: Termination (µm) 2.54
 Polarized to Mating Part Yes
 Polarized to PCB Yes

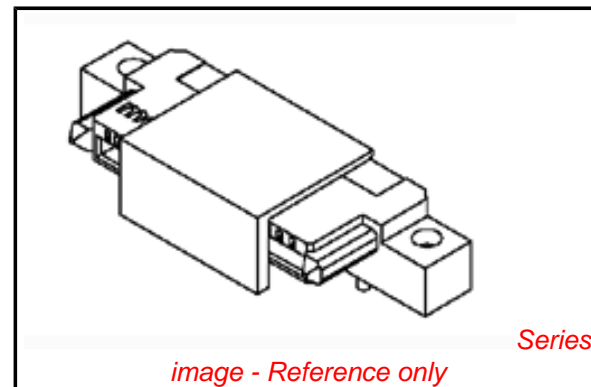


image - Reference only

EU RoHS

ELV and RoHS Compliant
REACH SVHC
 Not Reviewed
Halogen-Free Status

China RoHS



Need more information on product environmental compliance?

Email productcompliance@molex.com
 For a multiple part number RoHS Certificate of Compliance, [click here](#)

Please visit the [Contact Us](#) section for any non-product compliance questions.

Search Parts in this Series

[48325Series](#)

Mates With

[473001xxx Slimline Serial ATA Plugs](#)

| | |
|--------------------------------|--------------------|
| Robotic Placement | Pick and Place Cap |
| Stackable | No |
| Surface Mount Compatible (SMC) | Yes |
| Temperature Range - Operating | -40°C to +85°C |
| Termination Interface: Style | Through Hole |

Electrical

| | |
|-------------------------------|-----------|
| Current - Maximum per Contact | 1A |
| Grounding to PCB | Yes |
| Voltage - Maximum | 15V (RMS) |

Solder Process Data

| | |
|--|---------------------------|
| Duration at Max. Process Temperature (seconds) | 8 |
| Lead-free Process Capability | Reflow Capable (SMT only) |
| Max. Cycles at Max. Process Temperature | 1 |
| Process Temperature max. C | 260 |

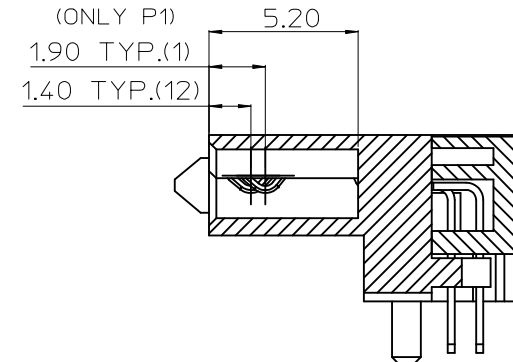
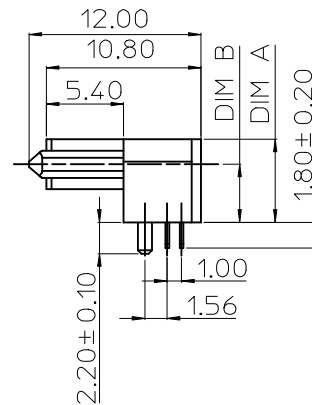
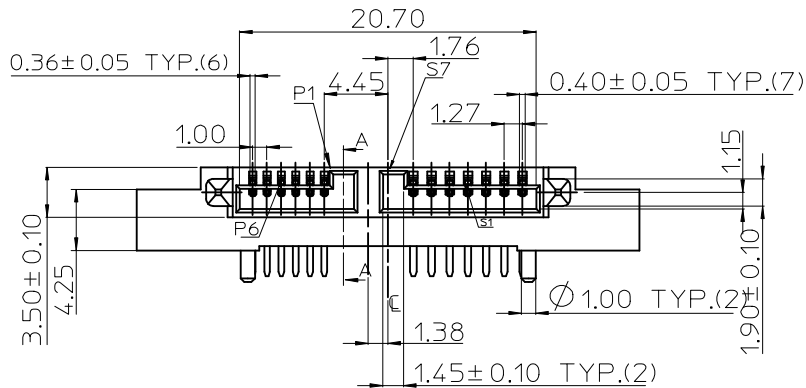
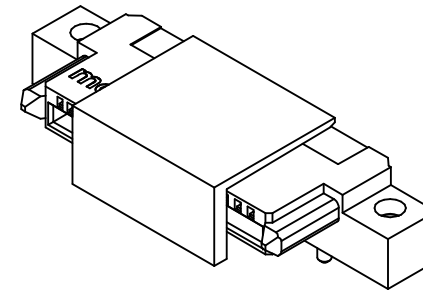
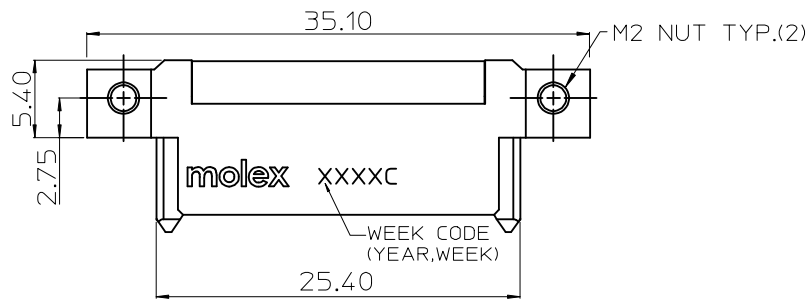
Material Info

Reference - Drawing Numbers

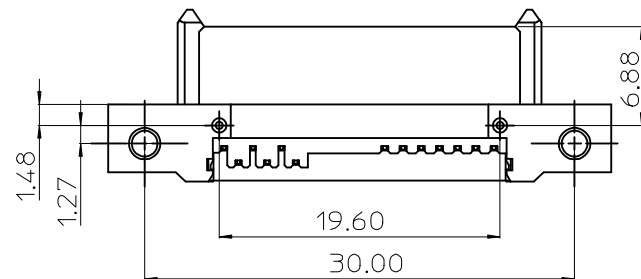
| | |
|-------------------------|--------------|
| Packaging Specification | PK-48325-003 |
| Product Specification | PS-48321-001 |
| Sales Drawing | SD-48325-001 |
| Test Summary | TS-48325-001 |

This document was generated on 05/31/2010

PLEASE CHECK WWW.MOLEX.COM FOR LATEST PART INFORMATION



SECTION A-A
SCALE 2:1



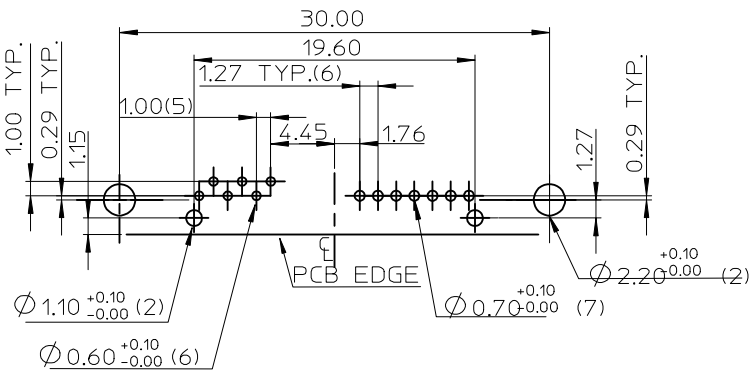
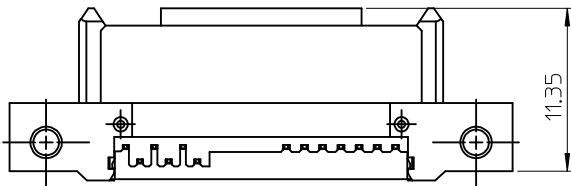
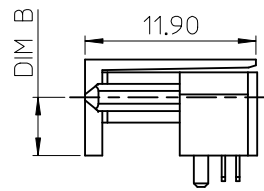
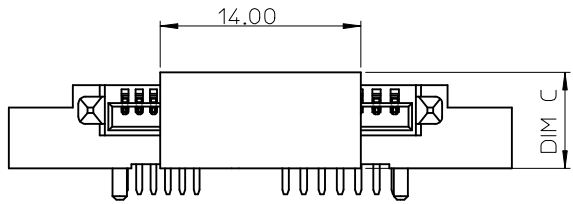
CHANGE NUT MATERIAL
EC NO: SH2008-0643
DRW: LLIU10
CHK: DDAVID
APPR: HWANG
2008/10/13

| REV | DESCRIPTION |
|-----|-------------|
| B | |

| QUALITY SYMBOLS | GENERAL TOLERANCES (UNLESS SPECIFIED) | |
|-----------------|---------------------------------------|-------|
| | mm | INCH |
| ▽=0 | 4 PLACES ± --- | ± --- |
| ∇=0 | 3 PLACES ± --- | ± --- |
| | 2 PLACES ± 0.25 | ± --- |
| | 1 PLACE ± 0.25 | ± --- |
| | ANGULAR ± 3 ° | |

DRAFT WHERE APPLICABLE
MUST REMAIN
WITHIN DIMENSIONS

| DIMENSION STYLE | | SCALE | DESIGN UNITS | THIRD ANGLE PROJECTION |
|-----------------|------------|--|--------------|------------------------|
| MM ONLY | | 1:1 | METRIC | ☉ |
| DRAWN BY | DATE | TITLE | | |
| LINDA | 2008/01/04 | SLIMLINE SATA RECEPTACLE REVERSE RIGHT ANGLE WITH SCREW | | |
| CHECKED BY | DATE | MOLEX INCORPORATED | | |
| ALLEN LIN | 2008/01/07 | DOCUMENT NO. SD-48325-001 | | |
| APPROVED BY | DATE | SHEET NO. 1 OF 2 | | |
| ERICK LAN | 2008/01/07 | THIS DRAWING CONTAINS INFORMATION THAT IS PROPRIETARY TO MOLEX INCORPORATED AND SHOULD NOT BE USED WITHOUT WRITTEN PERMISSION | | |



RECOMMENDED PC BOARD LAYOUT
TOLERANCE: ±0.05mm(TOP VIEW)

| P/N | PLATING OPTIONS | DIM A | DIM B | DIM C | WITHSTANDING MFG TEST |
|------------|-----------------|-------|-------|-------|-----------------------|
| 48325-4001 | GOLD FLASH | 5.80 | 4.05 | 6.70 | NO |
| 48325-4002 | 15 MICROINCH | | | | NO |
| 48325-4003 | 30 MICROINCH | | | | YES |
| 48325-5001 | GOLD FLASH | 10.80 | 9.05 | 11.70 | NO |
| 48325-5002 | 15 MICROINCH | | | | NO |
| 48325-5003 | 30 MICROINCH | | | | YES |
| 48325-6001 | GOLD FLASH | 7.30 | 5.55 | 8.20 | NO |
| 48325-6002 | 15 MICROINCH | | | | NO |
| 48325-6003 | 30 MICROINCH | | | | YES |

NOTES:

- MATERIAL:
 HOUSING & CAP: LIQUID CRYSTAL POLYMER, GLASS FIBER FILLED, UL94V-0, COLOR: BLACK.
 TERMINAL: COPPER ALLOY.
 NUT: ZINC ALLOY.
- PLATING:
 TERMINAL:
 CONTACT AREA: SEE TABLE
 SOLDER TAIL: MATTE TIN, THICKNESS=100 MICROINCH MIN/2.54 MICROMETER MIN. UNDER PLATE: NICKEL(Ni).
 NUT: NICKEL(Ni), THICKNESS=50 MICROINCH MIN/1.27 MICROMETER MIN.
- MATES WITH: SERIES 47300.
- RECOMMENDED PCB THICKNESS: 1.20 ± 0.05mm
- PRODUCT SPECIFICATION REFER TO PS-48321-001
- TEST SUMMARY REFER TO TS-48325-001
- PACKAGING SPECIFICATION REFER TO PK-48325-001
- LEAD FREE & RoHS COMPLIANT PRODUCT.

| | | | | | | | | | |
|---|---------------------------------|-------------------------------|---------------------------------------|------|--|--------------------|---|------------------------|------------------------|
| SEE SHEET 1 EC NO: SH2008-0643 DRW: LLI1010 CHKD: DAVID APPR: HWANG | REV 2008/09/18 2008/10/13 | QUALITY SYMBOLS ▽=0 ◻=0 | GENERAL TOLERANCES (UNLESS SPECIFIED) | | DIMENSION STYLE MM ONLY | | SCALE 1:1 | DESIGN UNITS METRIC | THIRD ANGLE PROJECTION |
| | | | mm | INCH | DRAWN BY LINDA | DATE 2008/01/04 | TITLE SLIMLINE SATA RECEPTACLE REVERSE RIGHT ANGLE WITH SCREW | | |
| | | | 4 PLACES ± --- ± --- | | CHECKED BY ALLEN LIN | DATE 2008/01/07 | MOLEX MOLEX INCORPORATED | | |
| | | | 3 PLACES ± --- ± --- | | APPROVED BY ERICK LAN | DATE 2008/01/07 | DOCUMENT NO. SD-48325-001 | | |
| | | | 2 PLACES ± 0.25 ± --- | | MATERIAL NO. | | SHEET NO. 2 OF 2 | | |
| | | | 1 PLACE ± 0.25 ± --- | | SEE TABLE | | THIS DRAWING CONTAINS INFORMATION THAT IS PROPRIETARY TO MOLEX INCORPORATED AND SHOULD NOT BE USED WITHOUT WRITTEN PERMISSION | | |
| | | | ANGULAR ± 3 ° | | DRAFT WHERE APPLICABLE MUST REMAIN WITHIN DIMENSIONS | | | | |