

PLEASE CHECK WWW.MOLEX.COM FOR LATEST PART INFORMATION

Part Number: [0354658000](#)
Status: **Active**
Overview: [bulb sockets](#)
Description: Earth Terminal for PT Bulb Socket, AVSS 0.50~0.85mm²

Documents:

[Drawing \(PDF\)](#) [RoHS Certificate of Compliance \(PDF\)](#)
[Product Specification PS-35842-001 \(PDF\)](#)

General

| | |
|-------------------------|------------------------------|
| Product Family | Crimp Terminals |
| Series | 35465 |
| Crimp Quality Equipment | Yes |
| Overview | bulb sockets |
| Product Name | Bulb Socket |

Physical

| | |
|------------------------------|----------------------|
| Gender | Female |
| Material - Metal | Phosphor Bronze |
| Material - Plating Mating | Unplated |
| Packaging Type | Reel |
| Termination Interface: Style | Crimp or Compression |
| Wire Insulation Diameter | 1.90mm (.075") max. |
| Wire Size AWG | 18, 20 |
| Wire Size mm ² | N/A |

Material Info

Reference - Drawing Numbers

| | |
|-------------------------|--------------|
| Packaging Specification | PK-35465-001 |
| Product Specification | PS-35842-001 |
| Sales Drawing | SD-35465-001 |

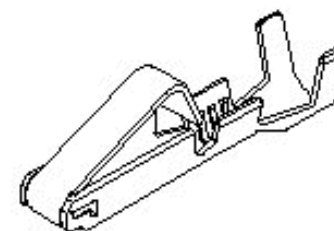


image - Reference only

Series

EU RoHS

**ELV and RoHS
Compliant**
**REACH SVHC
Contains SVHC: No**
**Halogen-Free
Status**

China RoHS



**Need more information on product
environmental compliance?**

Email productcompliance@molex.com
 For a multiple part number RoHS Certificate of Compliance, [click here](#)

Please visit the [Contact Us](#) section for any non-product compliance questions.

Search Parts in this Series

[35465Series](#)

Use With

[35842](#) , [35843](#)

Application Tooling | FAQ

Tooling specifications and manuals are found by selecting the products below. Crimp Height Specifications are then contained in the Application Tooling Specification document.

Global

| Description | Product # |
|--|----------------------------|
| Extraction Tool | 0638132700 |
| Hand Crimp Tool for Bulb Socket Terminals | 0638195100 |
| FineAdjust™ Applicator for Sealed PT-Bulb Socket Earth Terminal | 0639011700 |

This document was generated on 06/01/2010

PLEASE CHECK WWW.MOLEX.COM FOR LATEST PART INFORMATION

DO NOT SCALE DRAWING
DIMENSION IN METRIC

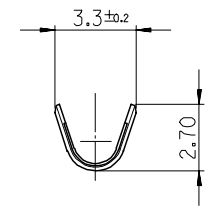
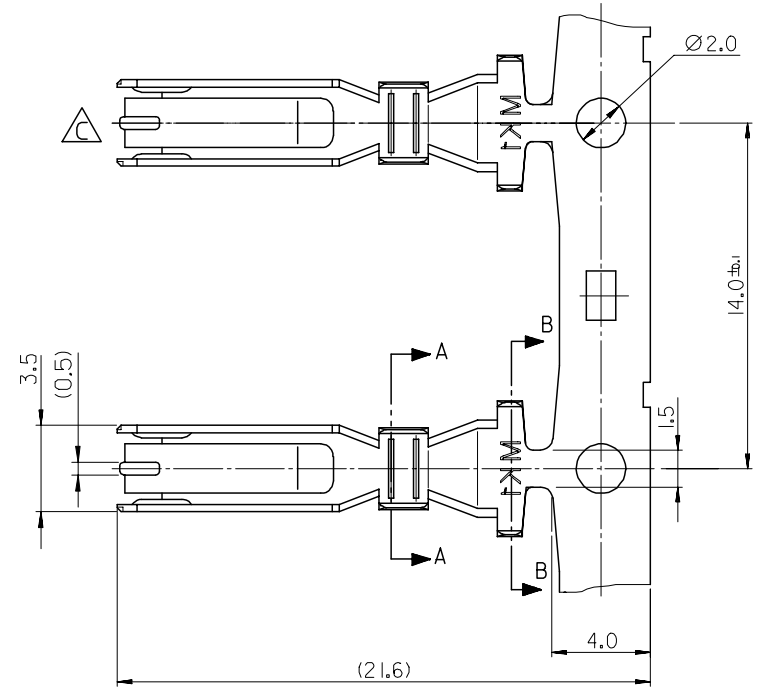
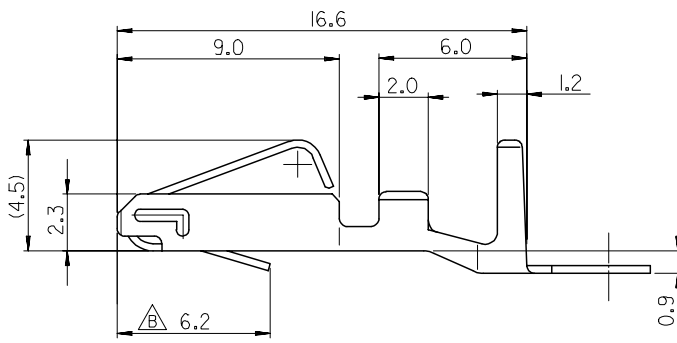
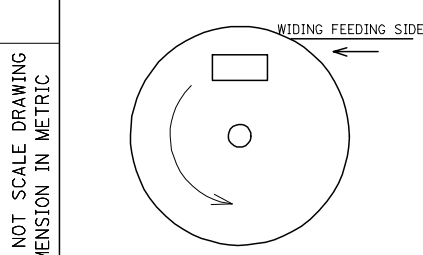
DWG. NO.
SD-35465-001

SIMILAR ITEM

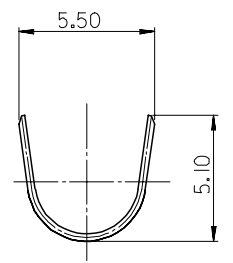
PROJECT NO.

C

B



SECT. A-A



SECT. B-B

NOTES

1. APPLICABLE WIRE SIZE :AVS(AVSS)0.5±0.85 SQUIRE MILIMETER
2. APPLICABLE WIRE SEAL PART NO: 35903-0106
3. APPLICABLE SOCKET PART NO: 35842-030*/35843-02**
4. MATERIAL: PHOSPHOR BRONZE,
THICKNESS=0.30 mm,PLATING=UNPLATED

| | | | | | | | |
|--|--|---|---|---|---|--|---------------------|
| ADDED OF SHAPE EC NO. KOR2007-0032 DRWN: S.M.KIM 06/09/25 CHK: B.C.YOON 06/09/25 APPR: B.C.YOON 06/09/25 | QUALITY SYMBOLS MAJOR $\nabla = 0$ CRITICAL $\nabla C = 0$ | GENERAL TOLERANCES: (UNLESS SPECIFIED) | SCALE 5:1 | DESIGN UNITS <input checked="" type="checkbox"/> mm <input type="checkbox"/> INCH | THIRD ANGLE PROJECTION | DIMENSIONS: <input type="checkbox"/> mm <input type="checkbox"/> INCH <input checked="" type="checkbox"/> mm ONLY | SHT REV |
| | DESCRIPTION REV | mm INCH 4 PLACES ±0. ±. 3 PLACES ±0. ±. 2 PLACES ±0.20 ±. 1 PLACE ±0.30 ±. ANGULAR: ± 1 ° | DRAFT WHERE APPLICABLE MUST REMAIN WITHIN DIMENSIONS | DRAWN BY & DATE Y.SIK.KIM 98/11/26 CHECKED BY & DATE B.K.CHOI 98/11/30 APPROVED BY & DATE C.W.LEE 98/11/30 | TITLE: SEALED PT BULB SOCKET EARTH TERMINAL | MOLEX MOLEX INCORPORATED | SHEET NO. 1 OF 1 |
| | | | CAD FILENAME sd35465e.dgn | MATERIAL NO. 35465-8000 | DRAWING NO. SD-35465-001 | SIZE C | |